

# Industrial Combination Signal - 116 dB (A) / 5 Joule

## Series YL80



www.stahl.de



- > Max sound output 116 dB (A) / 1 m
- > IP65 rated as standard
- > Strobe available in 2.5 and 5 Joules
- > 32 selectable tones meeting international regulations
- > Flame retardant ABS enclosure
- > Stainless steel fixings
- > 2 stage alarm
- > Lens available in six different colours
- > Complies with BS 5839
- > Low current consumption



14709E00

**Yodalight range**  
High output multi-purpose audible and visual signalling device designed for use in industrial applications.

### Approvals

Certificates	
	UL 1638, UL 464
 0086-CPD-96705	BS EN 54-3 : 2001 incorporates amendment A 1 : 2002
 KM 91259	BS EN 54-3 : 2001 incorporates amendment A 1 : 2002

**WebCode YL80A**

# Industrial Combination Signal - 116 dB (A) / 5 Joule

## Series YL80



Selection Table

Version	Enclosure colour	Flash energy	Rated operational voltage	Lens colour	Order number	Art. no.	Weight kg			
YL80 Sounder/Strobe combination, BS EN 54-3, standards devices	red flame (RF)	5 Joule	24 V DC	amber	YL80/D50/A/RF/WR	204678	3.210			
				red	YL80/D50/R/RF/WR	204697	3.210			
				green	YL80/D50/G/RF/WR	212022	3.210			
				opal	YL80/D50/O/RF/WR	212024	3.210			
				blue	YL80/D50/B/RF/WR	204684	3.210			
				clear	YL80/D50/C/RF/WR	212025	3.210			
			115 V AC	amber	YL80/L50/A/RF/WR	204703	3.580			
				red	YL80/L50/R/RF/WR	204711	3.580			
				green	YL80/L50/G/RF/WR	212026	3.580			
				opal	YL80/L50/O/RF/WR	212027	3.580			
				blue	YL80/L50/B/RF/WR	212028	3.580			
				clear	YL80/L50/C/RF/WR	212029	3.580			
			230 V AC	amber	YL80/N50/A/RF/WR	204720	3.580			
				red	YL80/N50/R/RF/WR	204738	3.580			
				green	YL80/N50/G/RF/WR	212030	3.580			
				opal	YL80/N50/O/RF/WR	212061	3.580			
				blue	YL80/N50/B/RF/WR	212062	3.580			
				clear	YL80/N50/C/RF/WR	212063	3.580			
			YL80 Sounder/Strobe combination, UL certification	red flame (RF)	5 Joule	24 V DC	amber	YL80/D50/A/RF/UL	204742	3.210
							red	YL80/D50/R/RF/UL	204743	3.210
							green	YL80/D50/G/RF/UL	212064	3.210
opal	YL80/D50/O/RF/UL	212065					3.210			
blue	YL80/D50/B/RF/UL	212066					3.210			
clear	YL80/D50/C/RF/UL	212067					3.210			
115 V AC	amber	YL80/L50/A/RF/UL				204744	3.580			
	red	YL80/L50/R/RF/UL				212068	3.580			
	green	YL80/L50/G/RF/UL				212069	3.580			
	opal	YL80/L50/O/RF/UL				212070	3.580			
	blue	YL80/L50/B/RF/UL				212071	3.580			
	clear	YL80/L50/C/RF/UL				212072	3.580			
230 V AC	amber	YL80/N50/A/RF/UL				209673	3.580			
	red	YL80/N50/R/RF/UL				209674	3.580			
	green	YL80/N50/G/RF/UL				212073	3.580			
	opal	YL80/N50/O/RF/UL				212074	3.580			
	blue	YL80/N50/B/RF/UL				212075	3.580			
	clear	YL80/N50/C/RF/UL				212076	3.580			

Note Other voltages and variants are available. Please contact your local sales office for more details

# Industrial Combination Signal - 116 dB (A) / 5 Joule

## Series YL80

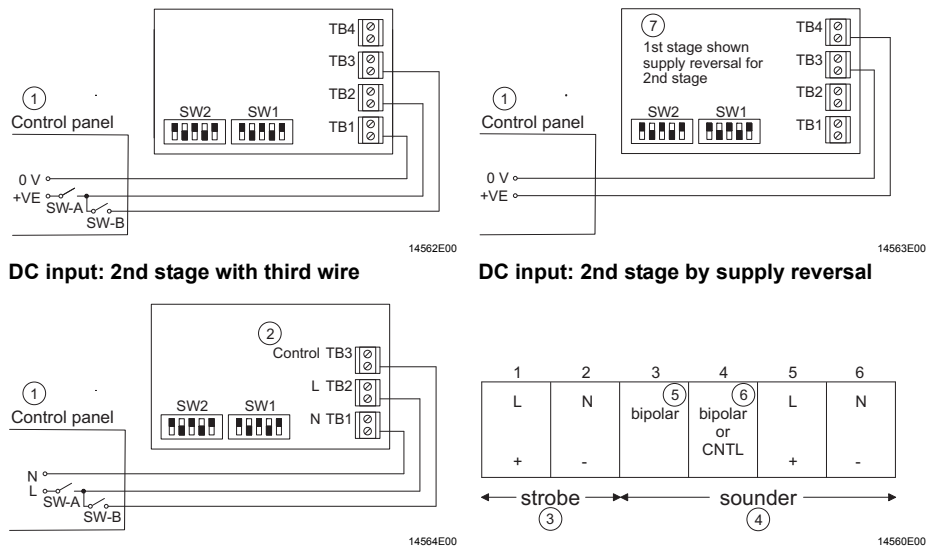


### Technical Data

#### Electrical data

Rated operational voltage	12, 24 or 48 V DC 115 or 230 V AC $\pm 10\%$ 12 and 48 V DC not available on UL listed products 12 V DC versions will produce approx 6 dB less output
Current consumption	min. 300 mA
Line monitoring	3 wire, 2 stage or 2 wire, single stage: monitor via reverse polarity 2 wire, 2 stage i.e. bi-polar inputs: monitor via threshold (applied voltage < 1 V)

#### Schematic



#### AC input

#### Legend

- 1 = External power supply, provided by user
- 2 = TB3 used for 2nd stage only
- 3 = Connections for strobe/beacon
- 4 = Connections for sounder/horn
- 5 = 12/24/48 or 0 V Input used for 2nd stage by supply reversal
- 6 = Used for 2nd stage by 3rd wire
- 7 = Connection for first stage only. Reverse voltage for 2nd stage

#### Acoustic data

Volume	116 db (A) / 1 m
Sound selection	via DIL switch
	Independently selectable 2nd stage via polarised or 2 wire bi-polar connection.

#### Luminous Characteristics

Flash energy	2.5 or 5.0 J
Lens colour	amber, red, green, opal, blue, clear

#### Ambient conditions

Operating temperature range	- 25 ... + 55 °C
Storage temperature	- 40 ... + 70 °C
Max. relative humidity	90 % at 40 °C

#### Mechanical data

Material	
Enclosure	ABS, flame retardant
Lens	polycarbonate plastic, flame retardant
Assembly parts	stainless steel fixings
Degree of protection	IP 65 standard on all units

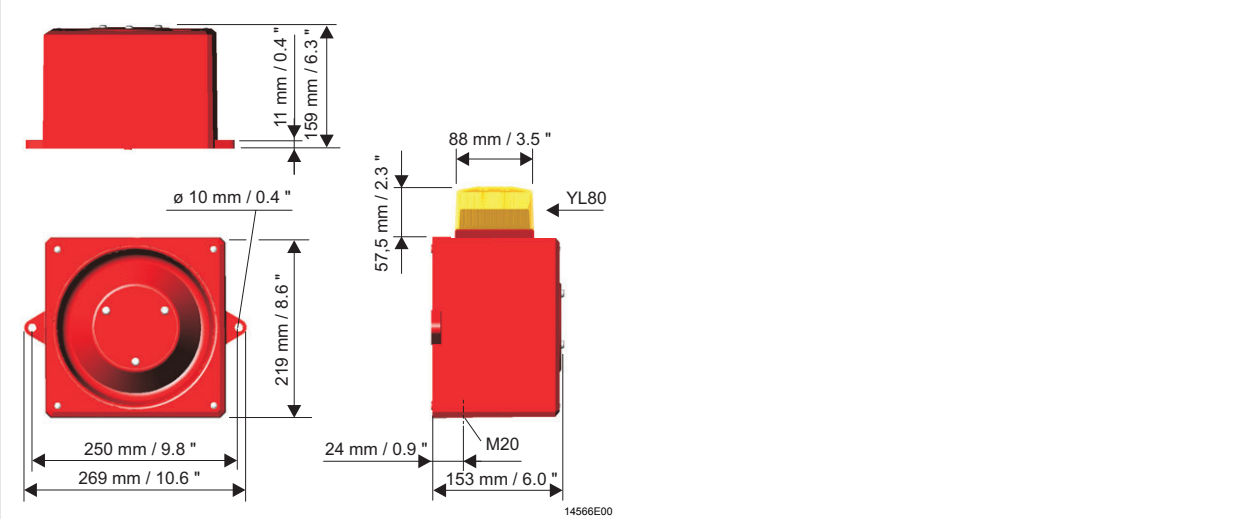
#### Assembly / Installation

Assembly	Should be mounted to a reasonably flat wall or bulkhead of suitable material using the lugs projecting from the side of the case. The lugs are bored 10 mm on 250 mm centres. The minimum recommended length of fixing screws is 30 mm. To maintain the integrity of the weather seal, the cable entry must be fitted using a suitable sealed gland.
Connection	optional separate input and output terminals

# Industrial Combination Signal - 116 dB (A) / 5 Joule Series YL80



## Dimensional Drawings (All Dimensions in mm / inches) - Subject to Alterations



We reserve the right to make alterations to the technical data, dimensions, weights, designs and products available without notice. The illustrations cannot be considered binding.