

# Explosion Proof Combination Signal - 110 dB (A) / 5 Joule Series YL60



- > Omnidirectional high output sounder 110 dB (A) / 1 m
- > 5 Joule xenon strobe
- > 2 stage alarm, independently selectable 2nd stage
- > IP66 rated as standard
- > Aluminium enclosure with stainless steel fasteners
- > Flash rate 1 per second
- > 32 selectable tones meeting international regulations
- > Sound selection via DIL switch
- > Lens guard and mounting bracket supplied as standard
- > Telephone initiate option available



14719E00

www.stahl.de



H1

Yodalex range  
Combination audible and visual signal designed for use  
in hazardous or harsh environments.

		ATEX							Class I (NEC 505)		Class I (NEC 506)				Class I		Class II		Class III		
Zone		0	1	2	20	21	22	Zone	0	1	2	20	21	22	Division	1	2	1	2	1	2
For use in			x	x		x	x	For use in		x	x		x	x	For use in	x	x	x	x	x	x

## Explosion Protection

### Marking

IECEX Gas explosion protection	IIB version:	⊕ d IIB T4 Ta -20 °C to +60 °C Gb
	IIB+H <sub>2</sub> version:	⊕ d IIB + H <sub>2</sub> T4 Ta -20 °C to +60 °C Gb
Dust explosion protection	IIB version:	⊕ tb IIIC T135 °C Ta -20 °C to +60 °C Db IP66
	IIB+H <sub>2</sub> version:	⊕ tb IIIC T135 °C Ta -20 °C to +60 °C Db IP66
Europe (ATEX) Europe (ATEX)	IIB version:	⊕ II 2 GD Ex d IIB T4 (T6 on request)
	IIB+H <sub>2</sub> version:	⊕ II 2 GD Ex d IIB+H <sub>2</sub> T4 (T6 on request)

### Certificates

IECEX	IIB version:	IECEX BAS 05.0086 X
	IIB+H <sub>2</sub> version:	IECEX BAS 05.0087X
Europe (ATEX)	IIB version:	Baseefa 02ATEX0212X
	IIB+H <sub>2</sub> version:	Baseefa 02ATEX0222X
Other approvals	Canada (CUL), Russia (GOST-R), USA (UL), Brazil (INMETRO)	

WebCode YL60A

# Explosion Proof Combination Signal - 110 dB (A) / 5 Joule

## Series YL60



**Selection Table**

Version	Group	Flash energy	Rated operational voltage	Lens colour	Order number	Art. no.	Weight
							kg
YL60 Sounder/Strobe, ATEX certification, standard devices	IIB + H <sub>2</sub>	5 Joule	24 V DC	amber	YL60/C/D50/A/EU	205250	6.000
				red	YL60/C/D50/R/EU	205257	6.000
			115 V AC	amber	YL60/C/L50/A/EU	205267	6.000
				red	YL60/C/L50/R/EU	205271	6.000
			230 V AC	amber	YL60/C/N50/A/EU	205273	6.000
				red	YL60/C/N50/R/EU	205282	6.000
YL60 Sounder/Strobe, UL certification, standard devices	IIB + H <sub>2</sub>	5 Joule	24 V DC	amber	YL60/B/D50/A/UL	205287	6.000
				red	YL60/B/D50/R/UL	205293	6.000
			115 V AC	amber	YL60/B/L50/A/UL	205568	6.000
				red	YL60/B/L50/R/UL	205299	6.000
			230 V AC	amber	YL60/B/N50/A/UL	205301	6.000
				red	YL60/B/N50/R/UL	212386	6.000
YL60 Sounder/Strobe, IECEx certification, standard devices	IIB + H <sub>2</sub>	5 Joule	24 V DC	amber	YL60/C/D50/A/IN	210791	6.000
				red	YL60/C/D50/R/IN	209605	6.000
			115 V AC	amber	YL60/C/L50/A/IN	212387	6.000
				red	YL60/C/L50/R/IN	212388	6.000
			230 V AC	amber	YL60/C/N50/A/IN	205276	6.000
				red	YL60/C/N50/R/IN	205284	6.000
YL60 Sounder/Strobe, GOST R certification, standard devices	IIB + H <sub>2</sub>	5 Joule	24 V DC	amber	YL60/C/D50/A/RU	212389	6.000
				red	YL60/C/D50/R/RU	205265	6.000
			115 V AC	amber	YL60/C/L50/A/RU	212390	6.000
				red	YL60/C/L50/R/RU	205272	6.000
			230 V AC	amber	YL60/C/N50/A/RU	212391	6.000
				red	YL60/C/N50/R/RU	212392	6.000
Note	Variations in gas group, flash energy, voltage and lens colour are available, please use the table below to order						

# Explosion Proof Combination Signal - 110 dB (A) / 5 Joule

## Series YL60



**Selection Table**

Version	Variations	Order Number
YL60 Sounder/Strobe combination, devices acc. to specification	<b>Type code:</b> please fill in fields	YL60 / - / - / - / - / -
	<b>Gas group</b>	
	EU, IN and RU units IIB	<b>B</b>
	IIB + H2	<b>C</b>
	UL units C, D gas groups	<b>C</b>
	B gas groups	<b>B</b>
	<b>Rated operational voltage</b>	
	24 V DC	<b>D</b>
	48 V DC	<b>F</b>
	115 V AC	<b>L</b>
	230 V AC	<b>N</b>
	<b>Flash energy</b>	
	5 Joule	<b>50</b>
	<b>Lens colour</b>	
	amber	<b>A</b>
	red	<b>R</b>
	green	<b>G</b>
	opal	<b>O</b>
	blue	<b>B</b>
	clear	<b>C</b>
	yellow	<b>Y</b>
	<b>Certification</b>	
	ATEX	<b>EU</b>
UL	<b>UL</b>	
IECEX	<b>IN</b>	
GOST-R	<b>RU</b>	
<b>Additions</b>		
activation AC voltages only telephone initiate	<b>TI</b>	

H1

# Explosion Proof Combination Signal - 110 dB (A) / 5 Joule Series YL60



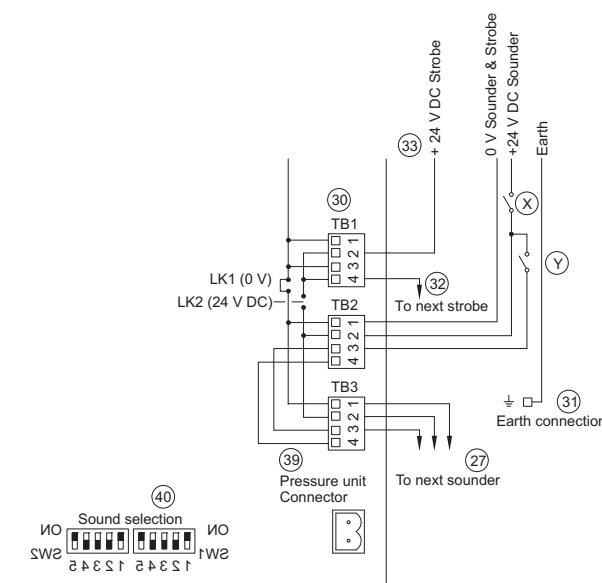
## Technical Data

### Electrical data

Rated operational voltage	24 V DC, 115 or 230 V AC			
Current consumption	24 V DC	5 J	IECEX, ATEX, UL, GOST	570 mA
	115 V AC	5 J	IECEX, ATEX, UL, GOST	200 mA

### Schematic

### Standard DC alarm connection and sound signal selection



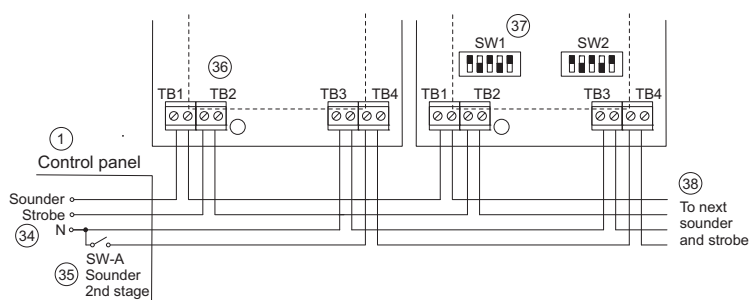
14809E00

### NOTE:

Two stage alarm by third core.  
Strobe shown with common 0 V.  
Line monitoring by reversal.  
Select alarm stage 1 on SW1.  
Select alarm stage 2 on SW2.

The two stage control always operates as follows:  
The first stage sounds by supplying volts to a unit via control switch 'X'. This switch remains on and the second stage signal is controlled by switching volts to the third terminal via switch 'Y'.

### AC alarm connection and sound signal selection



14810E00

### Legend

- 1 = External power supply, provided by user
- 27 = Connections to additional sounder/horn
- 30 = Terminal blocks for incoming and outgoing wiring
- 31 = Internal earth terminal
- 32 = Connections to additional strobe/beacon
- 33 = Control voltage for strobe/beacon (connection to TB1), common voltage for both strobe/beacon and sounder/horn (connection to TB2), control voltage for sounder/horn (connection to TB2)
- 34 = Live voltage for sounder/horn (connection to TB1), live voltage for strobe/beacon (connection to TB2), common neutral for both strobe/beacon and sounder/horn (connection to TB3)
- 35 = Switch for second stage alarm
- 36 = Terminal blocks for incoming and outgoing wiring
- 37 = Dual in line sound selection switches, situated on reverse
- 38 = Connections to additional sounder/horn and strobe beacon
- 39 = Connecting socket used for pressure unit, situated on reverse of the PCB
- 40 = Dual in line sound selection switches, situated on reverse of PCB

# Explosion Proof Combination Signal - 110 dB (A) / 5 Joule

## Series YL60



### Technical Data

#### Acoustic data

Volume	110 db (A) / 1 m
Sound selection	via DIL-switch

#### Luminous Characteristics

Flash rate	1/s
Flash energy	5 J
Lens colour	amber, red, green, opal, blue, clear, yellow

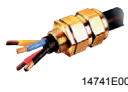

#### Ambient conditions

Ambient temperature	version			
	IIB	Europe	T4	- 35 ... + 60 °C
			T6	- 35 ... + 40 °C
	IIB + H <sub>2</sub>	Europe	T4	- 20 ... + 60 °C
T6			- 20 ... + 40 °C	

#### Mechanical data

Material	
Enclosure	aluminium, seawater resistant
Horn	ABS, flame retardant
Globe	polycarbonate
Assembly parts	stainless steel
Degree of protection	IP66, 4X
Cable entries	2 cable entries, equipped with stopping plug (1x) and dust cap (1x) UL devices: equipped with M20 / 1/2" adapters (2x)

### Accessories and Spare Parts

Designation	Illustration	Description	Group	Order number	Art. no.	WebCode
Cable gland		cable glands Ex e for wire braid armour cables	IIB	<b>8163/2-20-CXe-M20</b>	<b>138810</b>	8163D
		cable glands Ex e for single wire armour cables	IIB	<b>8163/2-20-CWe-M20</b>	<b>138797</b>	8163C
		compound barrier cable glands Ex d and Ex e for all types of armoured cables	IIB + H <sub>2</sub> and IIC	<b>8163/2-20-PX2K-M20</b>	<b>138875</b>	8163I

### Dimensional Drawings (All Dimensions in mm / inches) - Subject to Alterations



We reserve the right to make alterations to the technical data, dimensions, weights, designs and products available without notice. The illustrations cannot be considered binding.