

Level measurement

Continuous level measurement
Ultrasonic transmitters

SITRANS LU150

Overview



SITRANS LU150 is a short-range integrated ultrasonic level transmitter. This general purpose, 2-wire, 4 to 20 mA loop powered transmitter is ideal for liquids, slurries, and bulk materials in open or closed vessels to 5 m (16.4 ft).

Benefits

- Easy to install, program, and maintain
- Accurate and reliable
- Sanitary models available
- Patented Sonic Intelligence echo processing
- Integral temperature compensation

Application

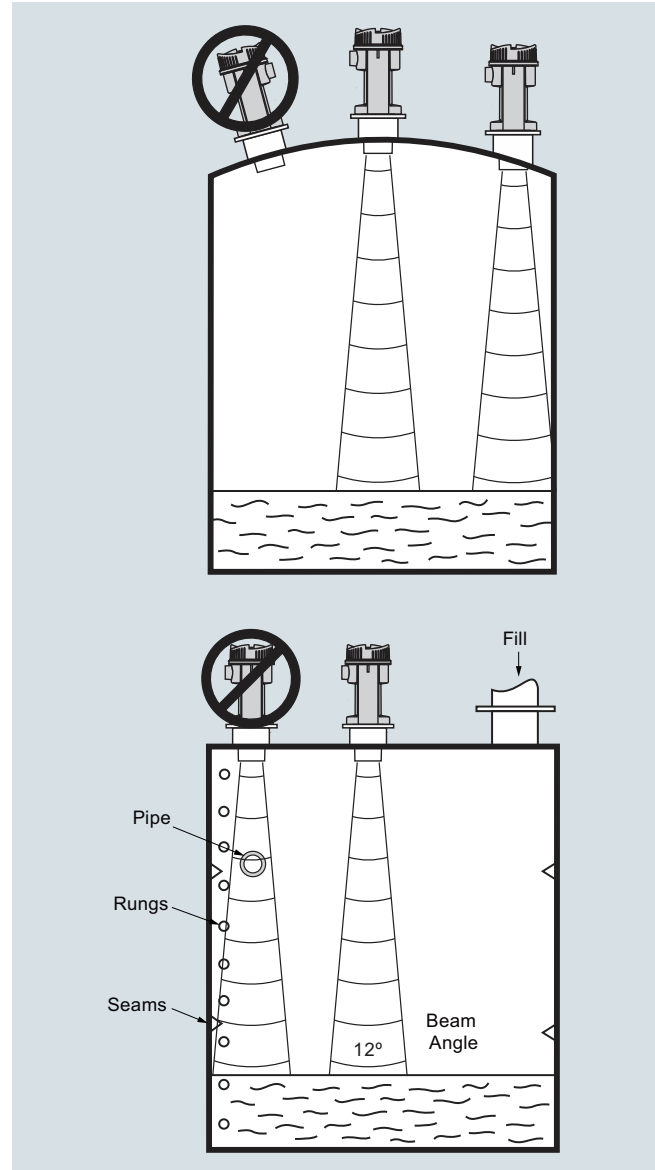
The transducer is available in PVDF copolymer, making the device suitable for use in a wide variety of applications.

SITRANS LU150 is easy to install and maintain, and can be quickly removed for cleaning as required by the food, beverage and pharmaceutical industries.

The reliability of the level data is based on the Sonic Intelligence echo processing algorithms. A filter discriminates between the true echo and false echoes from acoustic or electrical noises and agitator blades in motion. The ultrasonic pulse propagation time to the material and back is temperature-compensated and converted into distance for display, analog output.

- Key Applications: chemical storage vessels, filter beds, mud pits, liquid storage vessels, food applications

Configuration



SITRANS LU150 mounting

Technical specifications

Mode of Operation	
Measuring principle	Ultrasonic level measurement
Input	
Measuring range	0.25 ... 5 m (0.8 ... 16.4 ft)
Frequency	54 kHz
Output	
mA	4 ... 20 mA
• Span	Proportional/ inversely proportional
• Max. load	600 Ω in the loop at 24 V DC
Power supply	
Supply voltage	12 ... 30 V DC, 0.1 A surge
Max. power consumption	0.75 W (25 mA at 24 V DC)
Certificates and approvals	
	CE, CSA _{US/C}
Accuracy	
Error in measurement	0.25 % of measuring range (in air)
Resolution	3 mm (0.125 inch)
Temperature compensation	Built in
Echo processing	Sonic Intelligence
Rated operation conditions	
Beam angle	12°
Ambient temperature	
• Standard	-30 ... +60 °C (-22 ... +140 °F)
• Metallic mounting	-20 ... +60 °C (-4 ... +140 °F)
Storage temperature	
• Standard	-30 ... +60 °C (-22 ... +140 °F)
• Metallic mounting	-20 ... +60 °C (-4 ... +140 °F)
Max. static operating pressure	Normal atmospheric pressure
Design	
Weight	1.3 kg (2.9 lb)
Material	
• Electronics enclosure	PBT
• Transducer	PVDF copolymer
Degree of protection	IP68 / NEMA 6 / TYPE 6
Process connection	<ul style="list-style-type: none"> • 2" NPT [(Taper), ANSI/ASME B1.20.1] • R 2" [(BSPT), EN 10226] • G 2" [(BSPP), EN ISO 228-1] • 4" sanitary
Flange adapter	3" Universal, (fits DN 65, PN 10 and 3" ASME)
Cable inlet	1 inlet for M20, optional 1/2" NPT

Selection and ordering data

SITRANS LU150 Ultrasonic level transmitter		Article No.
Continuous, non-contact, 5 m (16.4 ft) range. Monitors level in liquids and slurries. Basic level performance.		7ML5201-
↗ Click on the Article No. for the online configuration in the PIA Life Cycle Portal.		0 0
Transducer/Process connection (PVDF)		
PVDF copolymer, 2" NPT [(Taper), ANSI/ASME B1.20.1]		E
PVDF copolymer, R 2" [(BSPT), EN 10226]		F
PVDF copolymer, G 2" [(BSPP), EN ISO 228-1]		G
PVDF copolymer, 4" Sanitary mounting		J
Cable inlet		
M20 x 1.5 [General Purpose cable gland -20 ... +60 °C (-4 ... +140 °F) included]		B
1/2" NPT stainless steel entry (no cable gland included)		C
Further designs		Order code
Please add "-Z" to Article No. and specify Order code(s).		
Stainless steel tag [13 x 45 mm (0.5 x 1.75 inch)]; Measuring-point number/identification (max. 20 characters) specify in plain text		Y15
Test certificate: Manufacturer's test certificate M to DIN 55350, Part 18 and to ISO 9000		C11
Operating Instructions		
All literature is available to download for free, in a range of languages, at http://www.siemens.com/processinstrumentation/documentation		
Accessories		Article No.
Tag, stainless steel, 12 x 45 mm (0.47 x 1.77 inch), one text line		7ML1930-1AC
Universal Box Bracket Mounting kit		7ML1830-1BK
Sanitary 4" mounting clamp		7ML1830-1BR
3" ASME, DN 65 PN 10, JIS 10K 3B ETFE Flange adapter for 2" NPT		7ML1830-1BT
3" ASME, DN 65 PN 10, JIS 10K 3B ETFE Flange adapter for 2" BSPT		7ML1830-1BU
2" BSP nylon plastic locknut		7ML1830-1DQ
2" NPT nylon plastic locknut		7ML1830-1DT
Cable Gland - General Purpose -20 ... +60 °C (-4 ... +140 °F)		A5E34457564

Level measurement

Continuous level measurement

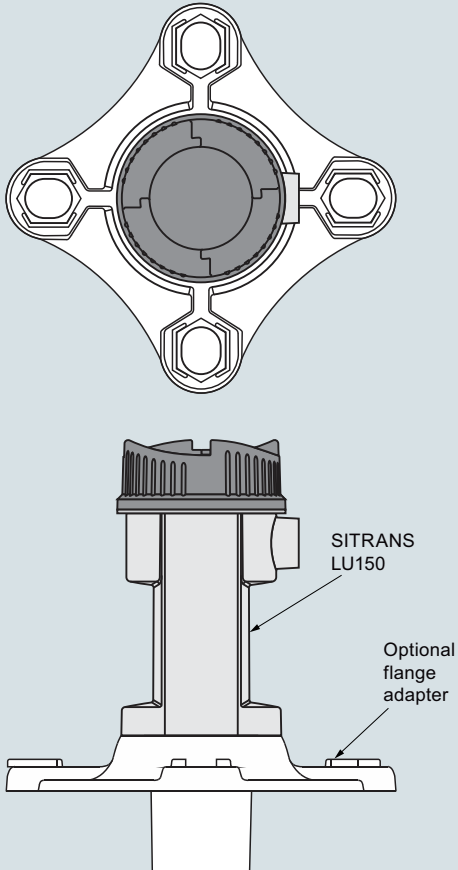
Ultrasonic transmitters

SITRANS LU150

Options

SITRANS LU150, Flange Adapter

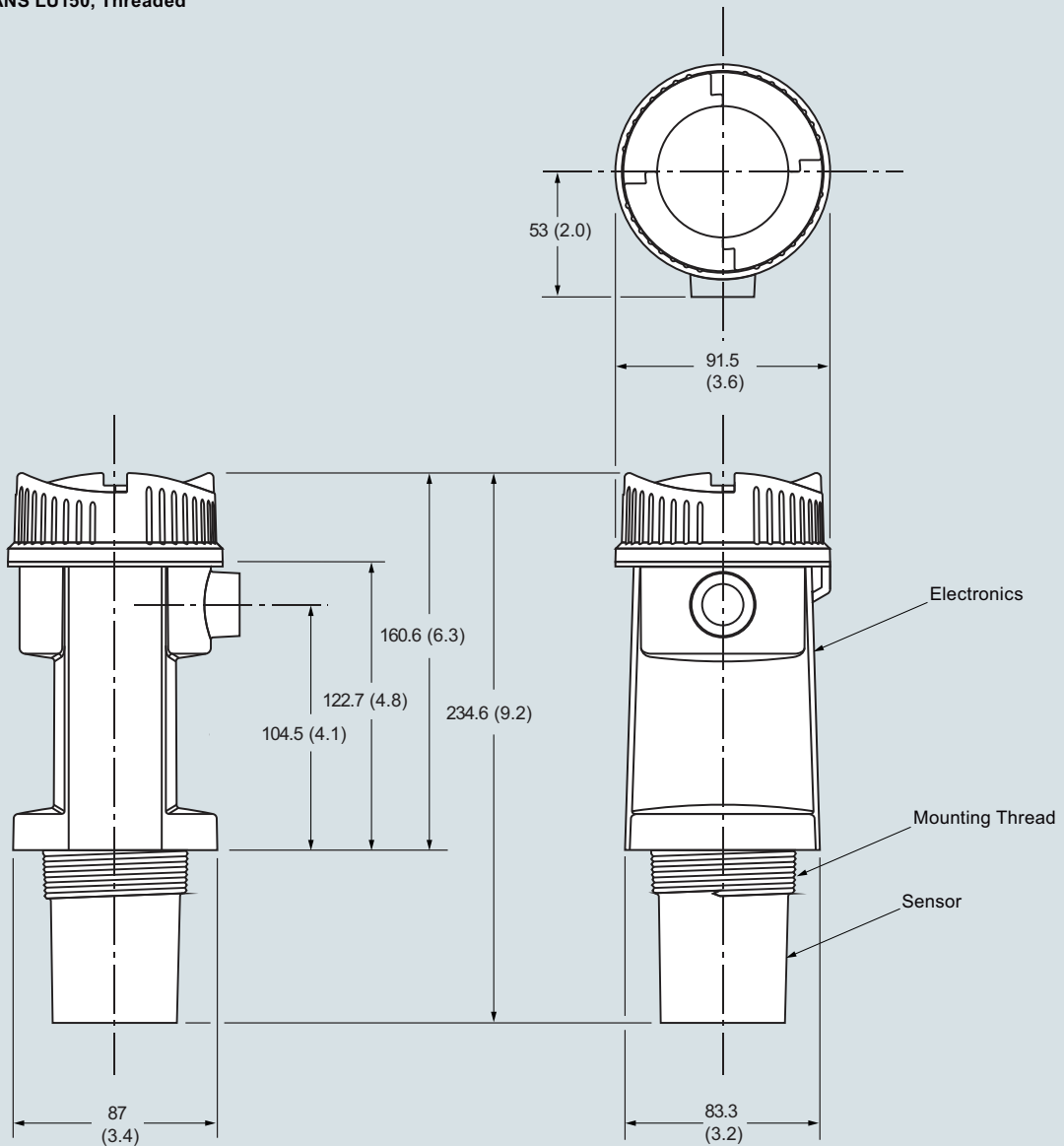
The SITRANS LU150 can be fitted with the optional 75 (3) flange adapter for mating to 3" ANSI, DIN 65 PN10 and JIS 10K3B flanges.



SITRANS LU150 optional flange adapter, dimensions in mm (inch)

Dimensional drawings

SITRANS LU150, Threaded



SITRANS LU150, dimensions in mm (inch)

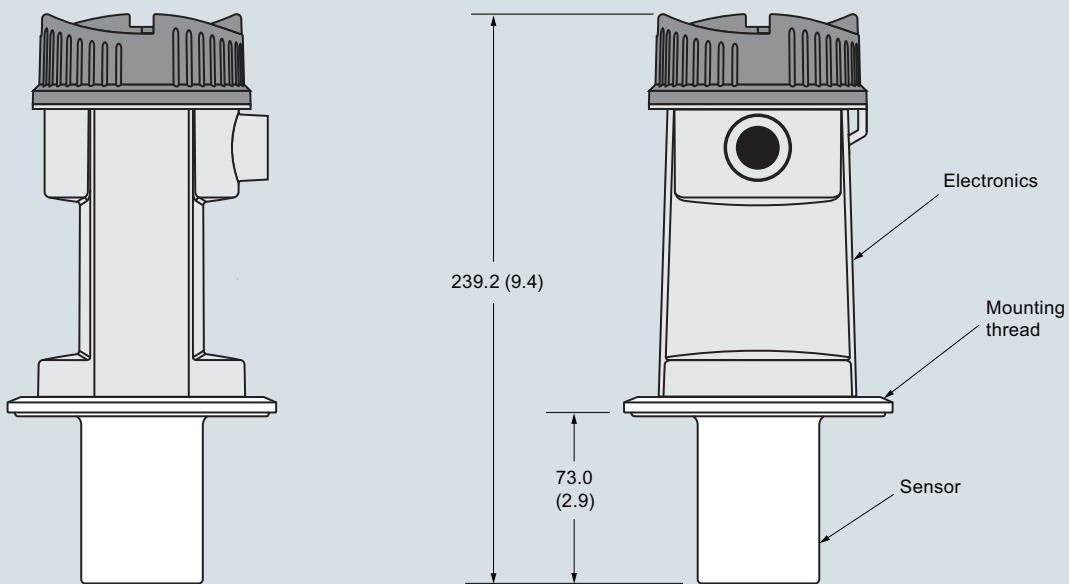
Level measurement

Continuous level measurement
Ultrasonic transmitters

SITRANS LU150

Dimensional drawings (continued)

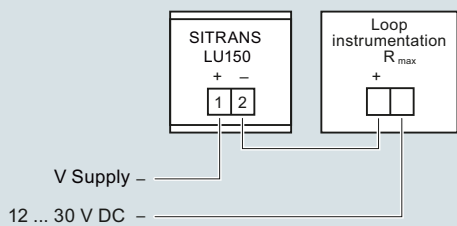
SITRANS LU150, Sanitary



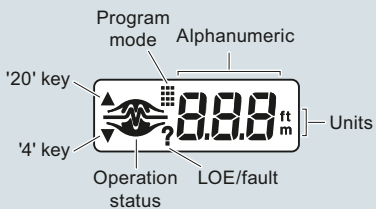
SITRANS LU150, dimensions in mm (inch)

Circuit diagrams

Threaded and Sanitary models



Display



SITRANS LU150 connections

Overview



SITRANS LU180 is a short-range integrated ultrasonic level transmitter. It is intrinsically safe (ATEX, CSA, FM, IECEx, NEPSI), 2 wire, 4 to 20 mA loop powered, ideal for liquids, slurries, and bulk materials in open or closed vessels to 5 meters (16.4 feet).

Benefits

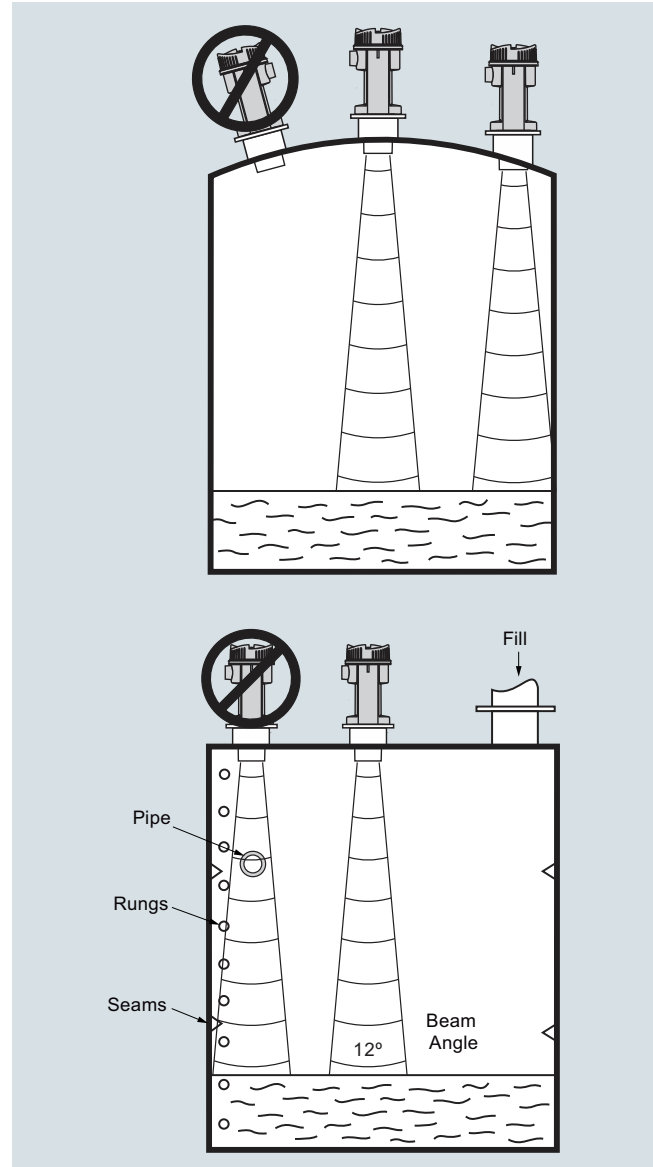
- Easy to install, program, and maintain
- Accurate and reliable
- Sanitary models available
- Patented Sonic Intelligence echo processing
- Integral temperature compensation

Application

The transducer is available in PVDF copolymer, making the device suitable for use in a wide variety of applications. SITRANS LU180 is easy to install and maintain, and can be quickly removed for cleaning as required by the food, beverage and pharmaceutical industries. The reliability of the level data is based on the Sonic Intelligence echo processing algorithms. A filter discriminates between the true echo and false echoes from acoustic or electrical noises and agitator blades in motion. The ultrasonic pulse propagation time to the material and back is temperature compensated and converted into distance for display, analog output.

- Key Applications: chemical storage vessels, filter beds, mud pits, liquid storage vessels, food applications

Configuration



SITRANS LU180 mounting

Level measurement

Continuous level measurement
Ultrasonic transmitters

SITRANS LU180

Technical specifications

Mode of operation	
Measuring principle	Ultrasonic level measurement
Input	
Measuring range	0.25 ... 5 m (0.8 ... 16.4 ft)
Frequency	54 kHz
Output	
mA	4 ... 20 mA
• Span	Proportional/ inversely proportional
• Max. load	600 Ω in the loop at 24 V DC
Power supply	
Supply voltage	12 ... 30 V DC, 0.1 A surge
Max. power consumption	0.75 W (25 mA at 24 V DC)
Certificates and approvals	
CSA: IS/ Class I, II, III, Div. 1, Groups: A, B, C, D, E, F, G T4	
FM: IS/ Class I, II, III, Div. 1, Groups: A, B, C, D, E, F, G T4	
ATEX: II 1G Ex ia IIC T4 Ga IECEX Ex ia IIC T4 Ga NEPSI Ex ia IIC T4 Ga	
Accuracy	
Error in measurement	0.25 % of measuring range (in air)
Resolution	3 mm (0.125 inch)
Temperature compensation	Built in
Echo processing	Sonic Intelligence
Rated operation conditions	
Beam angle	12°
Ambient temperature	
• Standard	-40 ... +60 °C (-40 ... +140 °F)
• Metallic mounting	-20 ... +60 °C (-4 ... +140 °F)
Storage temperature	
• Standard	-40 ... +60 °C (-40 ... +140 °F)
• Metallic mounting	-20 ... +60 °C (-4 ... +140 °F)
Max. static operating pressure	Normal atmospheric pressure
Design	
Weight	1.3 kg (2.9 lb)
Material	
• Electronics enclosure	PBT
• Transducer	PVDF copolymer
Degree of protection	IP68 / NEMA 6 / TYPE 6
Process connection	<ul style="list-style-type: none"> • 2" NPT [(Taper), ANSI/ASME B1.20.1] • R 2" [(BSPT), EN 10226] • G 2" [(BSPP), EN ISO 228-1] • 4" sanitary
Flange adapter	3" Universal (fits DN 65, PN 10 and 3" ASME)
Cable inlet	1 inlet for M20, optional 1/2" NPT

Selection and ordering data

SITRANS LU180 Ultrasonic level transmitter
Continuous, non-contact, 5 m (16.4 ft) range. Monitors level in liquids and slurries. Basic level performance for intrinsically safe applications.

↗ Click on the Article No. for the online configuration in the PIA Life Cycle Portal.

Transducer/Process connection

PVDF copolymer, 2" NPT [(Taper), ANSI/ASME B1.20.1]
PVDF copolymer, R 2" [(BSPT), EN 10226]
PVDF copolymer, G 2" [(BSPP), EN ISO 228-1]
PVDF copolymer, 4" Sanitary mounting

Cable inlet

M20 x 1.5 [General Purpose cable gland -20 ... +60 °C (-4 ... +140 °F) included]
1/2" NPT stainless steel entry (no cable gland included)

Further designs

Please add "-Z" to Article No. and specify Order code(s).

Stainless steel tag [13 x 45 mm (0.5 x 1.75 inch)]; Measuring-point number/identification (max. 20 characters) specify in plain text

Test certificate: Manufacturer's test certificate M to DIN 55350, Part 18 and to ISO 9000

Operating Instructions

All literature is available to download for free, in a range of languages, at

<http://www.siemens.com/processinstrumentation/documentation>.

Accessories

Tag, stainless steel, 12 x 45 mm (0.47 x 1.77 inch), one text line

Universal box bracket mounting kit

Sanitary 4" mounting clamp

3" ASME, DN 65 PN 10, JIS 10K 3B ETFE Flange adapter for 2" NPT

3" ASME, DN 65 PN 10, JIS 10K 3B ETFE Flange adapter for 2" BSPT

2" BSP nylon plastic locknut

2" NPT nylon plastic locknut

Cable Gland, General Purpose -20 ... +60 °C (-4 ... +140 °F)

Article No.

7ML5202-
0 ■ 0
E
F
G
J
B
C

Order code

Y15

C11

Article No.

7ML1930-1AC

7ML1830-1BK

7ML1830-1BR

7ML1830-1BT

7ML1830-1BU

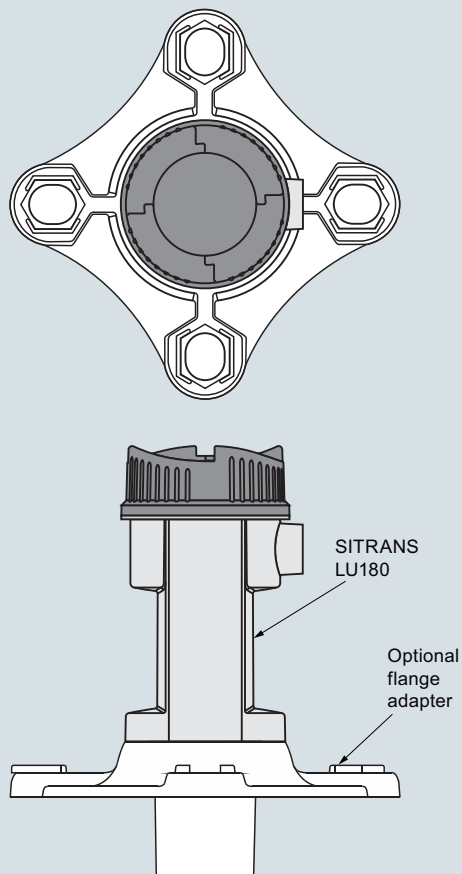
7ML1830-1DQ

7ML1830-1DT

A5E34457564

Options**SITRANS LU180, Flange Adapter**

The SITRANS LU180 can be fitted with the optional 75 (3) flange adapter for mating to 3" ANSI, DIN 65 PN10 and JIS 10K3B flanges.

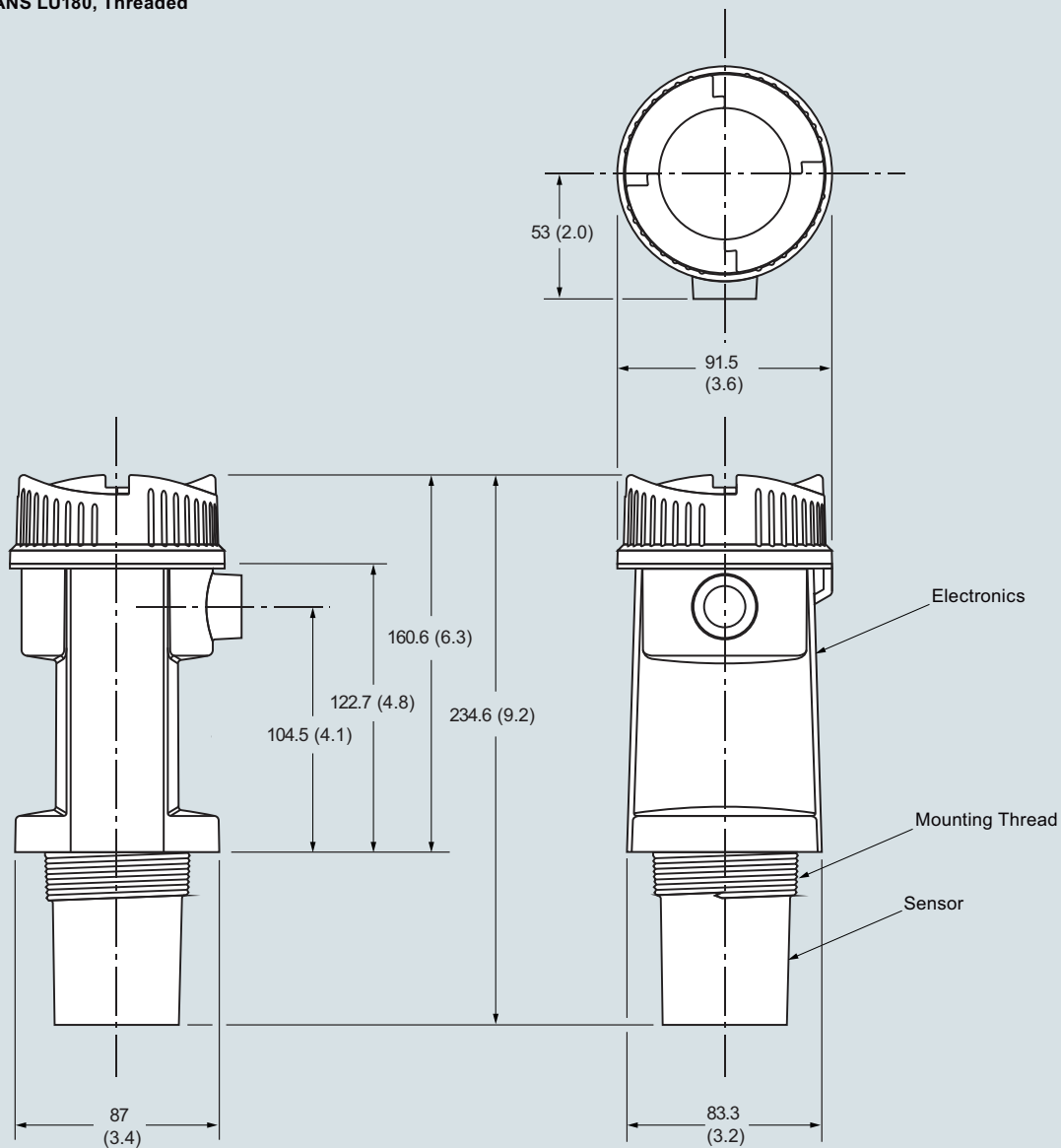


SITRANS LU180 optional flange adapter, dimensions in mm (inch)

Level measurement

Continuous level measurement

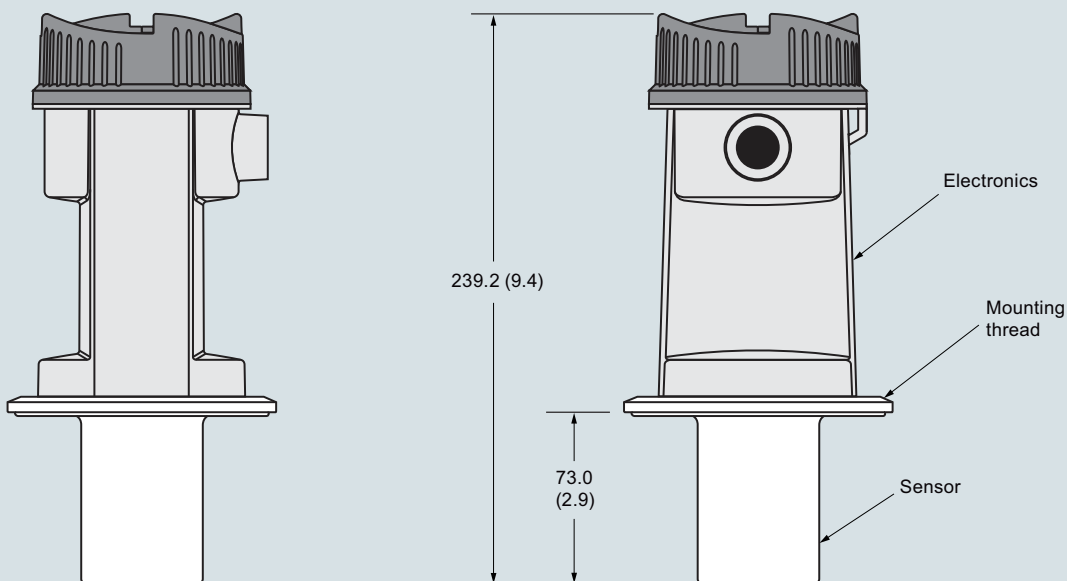
Ultrasonic transmitters

SITRANS LU180**Dimensional drawings****SITRANS LU180, Threaded**

SITRANS LU180, dimensions in mm (inch)

Dimensional drawings (continued)

SITRANS LU180, Sanitary

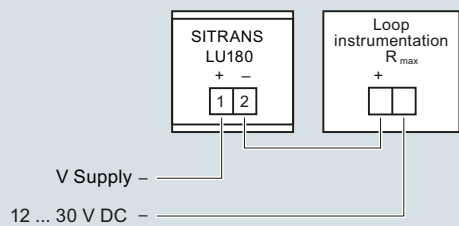


SITRANS LU180, dimensions in mm (inch)

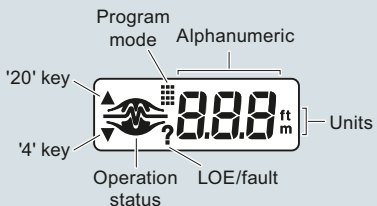
4

Circuit diagrams

SITRANS LU180, Threaded and sanitary models



Display



SITRANS LU180 connections