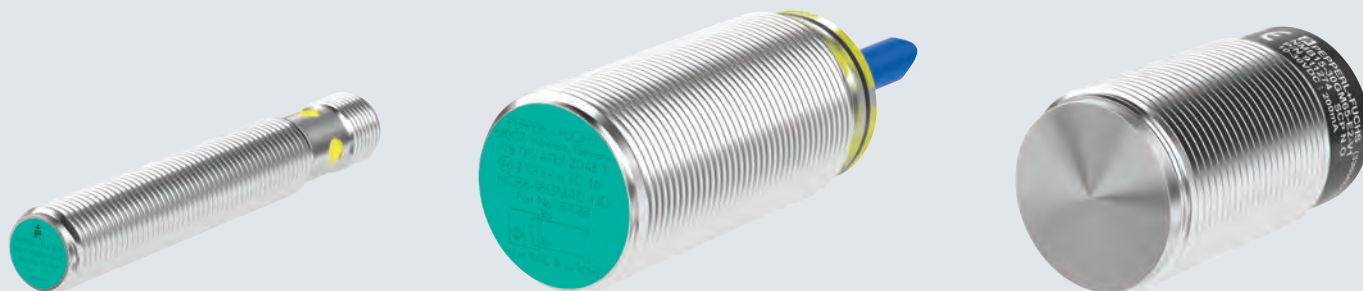


Inductive Proximity Sensors

Complete Portfolio and Customized Solutions

Our comprehensive portfolio of inductive proximity sensors is just as diverse as our customers' applications, offering endless possibilities. Worldwide approvals, various technologies, a wide range of designs, materials, and output signals—our portfolio of over 6000 sensors offers maximum flexibility when it comes to choosing the optimum sensor solution.

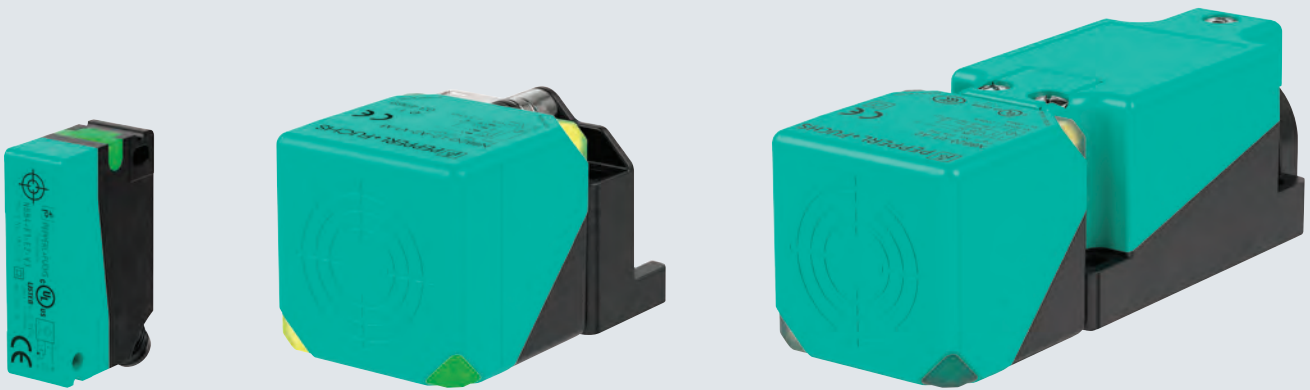


Typical Applications

- Wear-free, noncontact detection of metallic objects at a distance of up to 100 mm
- Position detection in machine tools
- Monitoring of safe end positions, e.g. for crane applications
- Position querying for skids and thrust plates in automotive manufacturing

Your Benefits at a Glance

- Reliability and process safety for your application thanks to the highest quality standards in sensor production
- The best sensory solution for every application, every time, thanks to our complete portfolio
- Customization beyond the standard portfolio
- Highest levels of robustness and durability even in harsh industrial environments
- Application-specific consulting at the highest technical level thanks to our extensive experience in the market, and our own developments and products

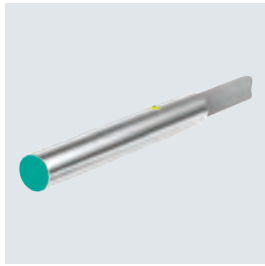


Technical Features

- Wide variety of worldwide approvals, including country and sector-specific approvals (e.g. KOSHA, NEPSI, GL/DNV, UL, CCC, ATEX, IECEX, EAC-Ex, E1, SIL)
- Sensors for all supply voltages (DC, AC, universal current) and output signals (e.g. discrete [two, three, and four-wire], analog, IO-Link, AS-Interface, and NAMUR)
- Wide variety of designs and materials
- Complete range of cable and connector types
- Variety of specialist technologies (e.g. metal face sensors, reduction factor 1)
- Sensing ranges from up to 100 mm

Cylindrical Inductive Proximity Sensors

Contents



D3 Series
Page 14



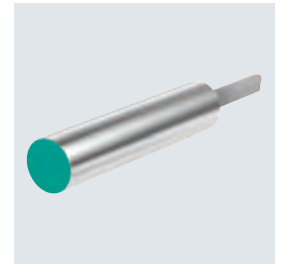
D4/M4 Series
Page 15



M5 Series
Page 16



**D6.5 Series –
With Plug Connection**
Page 17



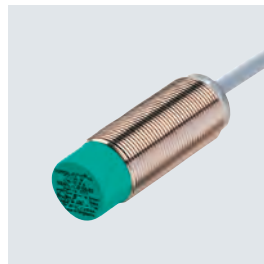
**D6.5 Series –
With Cable
Connection**
Page 18



**M12 Series –
250 V Version**
Page 30



**M18 Series –
With Plug Connection**
Page 32



**M18 Series –
With Cable
Connection**
Page 34



**M18 Series –
250 V Version**
Page 36



**M30 Series –
With Plug Connection**
Page 38



**M8 Series –
With Plug Connection**
Page 20



**M8 Series – With
Cable Connection**
Page 22



M11 Series
Page 24



**M12 Series –
With Plug Connection**
Page 26



**M12 Series –
With Cable
Connection**
Page 28

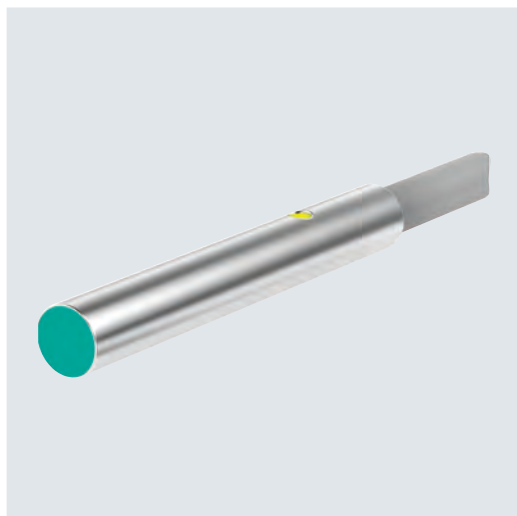


**M30 Series –
With Cable
Connection**
Page 40



**M30 Series –
250 V Version**
Page 42

D3 Series



Standard Technical Data

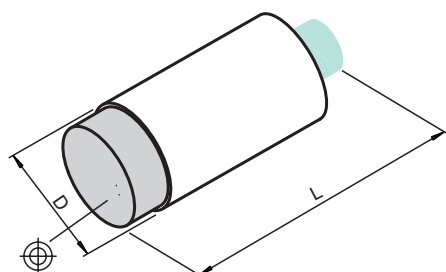
Type of installation	Flush
Output type	3-wire
Voltage type	DC
Operating voltage (min)	10 V
Operating voltage (max)	30 V
Housing length L	22 mm
Housing diameter D	3 mm
CSA	■
UL	■

For detailed data and description, see the datasheet. Further products can be found online at www.pepperl-fuchs.com.

Model number	Detection range [mm]	Output type	Switching function	Switching frequency [Hz]	Connection type	Cable length [mm]	Cable material
NBB0,6-3M22-E0	0.6	NPN	Normally-open (NO)	1400	Fixed cable	2000	PUR
NBB0,6-3M22-E0-0,3M-V3	0.6	NPN	Normally-open (NO)	1400	Fixed cable with M8 plug	300	PVC
NBB0,6-3M22-E1	0.6	NPN	Normally-closed (NC)	1300	Fixed cable	2000	PUR
NBB0,6-3M22-E2	0.6	PNP	Normally-open (NO)	1400	Fixed cable	2000	PVC
NBB0,6-3M22-E2-0,3M-V3	0.6	PNP	Normally-open (NO)	1400	Fixed cable with M8 plug	300	PVC
NBB0,6-3M22-E3	0.6	PNP	Normally-closed (NC)	1300	Fixed cable	2000	PUR
NBB1-3M22-E0	1	NPN	Normally-open (NO)	700	Fixed cable	2000	PVC
NBB1-3M22-E0-0,3M-V3	1	NPN	Normally-open (NO)	700	Fixed cable with M8 plug	300	PVC
NBB1-3M22-E2	1	PNP	Normally-open (NO)	700	Fixed cable	2000	PUR
NBB1-3M22-E2-0,3M-V3	1	PNP	Normally-open (NO)	700	Fixed cable with M8 plug	300	PVC

Accessories

BF 4	Mounting adapter, 4 mm
V3-WM-2M-PUR	Single-ended female cordset, M8, 3-pin, PUR cable



D4/M4 Series

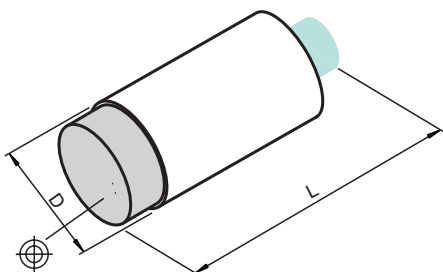


Standard Technical Data	
Type of installation	Flush
Output type	3-wire
Voltage type	DC
Operating voltage (min)	10 V
Operating voltage (max)	30 V
Housing diameter D	4 mm

For detailed data and description, see the datasheet. Further products can be found online at www.pepperl-fuchs.com.

Model number	Detection range [mm]	Output type	Switching function	Switching frequency [Hz]	Connection type	Cable length [mm]	Cable material	Length L	CSA	UL
NBB0,6-4GM22-E0	0.6	NPN	Normally-open (NO)	1400	Fixed cable	2000	PUR	22	■	■
NBB0,6-4GM22-E1	0.6	NPN	Normally-closed (NC)	1300	Fixed cable	2000	PUR	22	■	■
NBB0,6-4GM22-E2	0.6	PNP	Normally-open (NO)	1400	Fixed cable	2000	PUR	22	■	■
NBB0,6-4GM22-E2-0,3M-V3	0.6	PNP	Normally-open (NO)	1400	Fixed cable with M8 plug	300	PVC	22	■	■
NBB0,6-4GM22-E3	0.6	PNP	Normally-closed (NC)	1300	Fixed cable	2000	PUR	22	■	■
NBB0,8-4M25-E0	0.8	NPN	Normally-open (NO)	3000	Fixed cable	2000	PVC	25	■	■
NBB0,8-4M25-E0 PUR	0.8	NPN	Normally-open (NO)	3000	Fixed cable	2000	PUR	25	■	■
NBB0,8-4M25-E0-0,3M-V3	0.8	NPN	Normally-open (NO)	3000	Fixed cable with M8 plug	300	PVC	25	■	■
NBB0,8-4M25-E0-V3	0.8	NPN	Normally-open (NO)	3000	M8 connector plug			45	■	■
NBB0,8-4M25-E1	0.8	NPN	Normally-closed (NC)	3000	Fixed cable	2000	PVC	25	■	■
NBB0,8-4M25-E2	0.8	PNP	Normally-open (NO)	3000	Fixed cable	2000	PVC	25	■	■
NBB0,8-4M25-E2-0,3M-V3	0.8	PNP	Normally-open (NO)	3000	Fixed cable with M8 plug	300	PVC	25	■	■
NBB0,8-4M25-E2-V3	0.8	PNP	Normally-open (NO)	3000	M8 connector plug			45	■	■
NBB0,8-4M25-E3	0.8	PNP	Normally-closed (NC)	3000	Fixed cable	2000	PVC	25	■	■
NBB0,8-4S25-E2-0,2M-V3	0.8	PNP	Normally-open (NO)	5000	Fixed cable with M8 plug	200	PVC	25		
NBB1-4GM22-E0	1	NPN	Normally-open (NO)	700	Fixed cable	2000	PUR	22	■	■
NBB1-4GM22-E0-0,3M-V3	1	NPN	Normally-open (NO)	700	Fixed cable with M8 plug	300	PVC	22	■	■
NBB1-4GM22-E2	1	PNP	Normally-open (NO)	700	Fixed cable	2000	PUR	22	■	■
NBB1-4GM22-E2-0,3M-V3	1	PNP	Normally-open (NO)	700	Fixed cable with M8 plug	300	PVC	22	■	■
NBB1,5-4M25-E0-V3	1.5	NPN	Normally-open (NO)	3000	M8 connector plug			38	■	■

Accessories	
BF 4	Mounting adapter, 4 mm
V3-WM-2M-PUR	Single-ended female cordset, M8, 3-pin, PUR cable



M5 Series

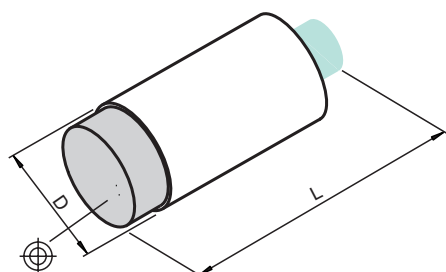


Standard Technical Data

Type of installation	Flush
Output type	3-wire
Voltage type	DC
Operating voltage (min)	10 V
Operating voltage (max)	30 V
Housing diameter D	5 mm

For detailed data and description, see the datasheet. Further products can be found online at www.pepperl-fuchs.com.

Model number	Detection range [mm]	Output type	Switching function	Switching frequency [Hz]	Connection type	Cable length [mm]	Cable material	Length L	CSA	EAC	UL
NBB0,8-5GM25-E2	0.8	PNP	Normally-open (NO)	3000	Fixed cable	2000	PVC	25	■	■	■
NBB0,6-5GS20-E2	0.6	PNP	Normally-open (NO)	5000	Fixed cable	140	PUR	25			
NBB0,8-5GM25-E0	0.8	NPN	Normally-open (NO)	3000	Fixed cable	2000	PVC	25	■		■
NBB0,8-5GM25-E0-0,3M-V3	0.8	NPN	Normally-open (NO)	3000	Fixed cable with M8 plug	300	PVC	25	■		■
NBB0,8-5GM25-E0-V3	0.8	NPN	Normally-open (NO)	3000	M8 connector plug			45	■		■
NBB0,8-5GM25-E1	0.8	NPN	Normally-closed (NC)	3000	Fixed cable	2000	PVC	25	■		■
NBB0,8-5GM25-E1-V3	0.8	NPN	Normally-closed (NC)	3000	M8 connector plug			45	■		■
NBB0,8-5GM25-E2-0,3M-V3	0.8	PNP	Normally-open (NO)	3000	Fixed cable with M8 plug	300	PVC	25	■		■
NBB0,8-5GM25-E2-V3	0.8	PNP	Normally-open (NO)	3000	M8 connector plug			45	■		■
NBB0,8-5GM25-E3	0.8	PNP	Normally-closed (NC)	3000	Fixed cable	2000	PVC	25	■		■
NBB1,5-5GM25-E2	1.5	PNP	Normally-open (NO)	3000	Fixed cable	2000	PVC	25	■		■
NBB1,5-5GM25-E2-V3	1.5	PNP	Normally-open (NO)	3000	M8 connector plug			38	■		■
NBB1,5-5GM25-E3-V3	1.5	PNP	Normally-closed (NC)	3000	M8 connector plug			38	■		■



Accessories

BF 5	Mounting adapter, 5 mm
V3-WM-2M-PUR	Single-ended female cordset, M8, 3-pin, PUR cable

D6.5 Series – With Plug Connection



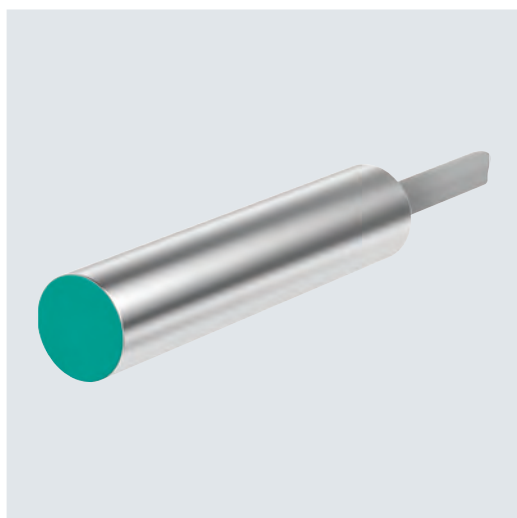
Standard Technical Data

Special features	Extended temperature range
Output type	3-wire
Voltage type	DC
Operating voltage (min)	5 V
Operating voltage (max)	30 V
Housing diameter D	6.5 mm
UL	■

For detailed data and description, see the datasheet. Further products can be found online at www.pepperl-fuchs.com.

Model number	Type of installation	Detection range [mm]	Output type	Switching function	Switching frequency [Hz]	Connection type	Cable length [mm]	Cable material	Length L
NBB2-6,5M25-E0-V3	Flush	2	NPN	Normally-open (NO)	6000	M8 connector plug			35
NBB2-6,5M25-E1-V3	Flush	2	NPN	Normally-closed (NC)	6000	M8 connector plug			35
NBB2-6,5M25-E2-V3	Flush	2	PNP	Normally-open (NO)	6000	M8 connector plug			35
NBB2-6,5M25-E3-V3	Flush	2	PNP	Normally-closed (NC)	6000	M8 connector plug			35
NBB2-6,5M30-E0-0,15M-PUR-V3	Flush	2	NPN	Normally-open (NO)	6000	Fixed cable with M8 plug	150	PUR	30
NBB2-6,5M30-E2-0,15M-PUR-V3	Flush	2	PNP	Normally-open (NO)	6000	Fixed cable with M8 plug	150	PUR	30
NBB2-6,5S16-E2-0,3M-V3	Flush	2	PNP	Normally-open (NO)	6000	Fixed cable with M8 plug	300	PVC	16
NBB2-6,5S20-E2-V3	Flush	2	PNP	Normally-open (NO)	6000	M8 connector plug			30
NBB2-6,5S20-E3-V3	Flush	2	PNP	Normally-closed (NC)	6000	M8 connector plug			30
NBB2-6,5S35-E0-V3	Flush	2	NPN	Normally-open (NO)	6000	M8 connector plug			45
NBB2-6,5S35-E1-V3	Flush	2	NPN	Normally-closed (NC)	6000	M8 connector plug			45
NBB2-6,5S35-E2-0,3M-V3	Flush	2	PNP	Normally-open (NO)	6000	Fixed cable with M8 plug	300	PVC	35
NBB2-6,5S35-E2-V3	Flush	2	PNP	Normally-open (NO)	6000	M8 connector plug			45
NBB2-6,5S35-E3-V3	Flush	2	PNP	Normally-closed (NC)	6000	M8 connector plug			45
NBN3-6,5M25-E0-V3	Non-flush	3	NPN	Normally-open (NO)	4500	M8 connector plug			35
NBN3-6,5M25-E1-V3	Non-flush	3	NPN	Normally-closed (NC)	4500	M8 connector plug			35
NBN3-6,5M25-E2-V3	Non-flush	3	PNP	Normally-open (NO)	4500	M8 connector plug			35
NBN3-6,5M30-E0-0,3M-V3	Non-flush	3	NPN	Normally-open (NO)	4500	Fixed cable with M8 plug	300	PVC	30
NEB3-6,5M40-E0-V1	Semi-flush	3	NPN	Normally-open (NO)	3500	M12 connector plug			65
NEB3-6,5M40-E1-V1	Semi-flush	3	NPN	Normally-closed (NC)	3500	M12 connector plug			65
NEB3-6,5M40-E2-V1	Semi-flush	3	PNP	Normally-open (NO)	3500	M12 connector plug			65
NEB3-6,5M40-E3-V1	Semi-flush	3	PNP	Normally-closed (NC)	3500	M12 connector plug			65
NEB3-6,5M45-E0-V3	Semi-flush	3	NPN	Normally-open (NO)	3500	M8 connector plug			55
NEB3-6,5M45-E1-V3	Semi-flush	3	NPN	Normally-closed (NC)	3500	M8 connector plug			55
NEB3-6,5M45-E2-V3	Semi-flush	3	PNP	Normally-open (NO)	3500	M8 connector plug			55
NEB3-6,5M45-E3-V3	Semi-flush	3	PNP	Normally-closed (NC)	3500	M8 connector plug			55
NEN6-6,5M40-E0-V1	Non-flush	6	NPN	Normally-open (NO)	1500	M12 connector plug			65
NEN6-6,5M40-E1-V1	Non-flush	6	NPN	Normally-closed (NC)	1500	M12 connector plug			65
NEN6-6,5M40-E2-V1	Non-flush	6	PNP	Normally-open (NO)	1500	M12 connector plug			65
NEN6-6,5M40-E3-V1	Non-flush	6	PNP	Normally-closed (NC)	1500	M12 connector plug			65
NEN6-6,5M45-E0-V3	Non-flush	6	NPN	Normally-open (NO)	1500	M8 connector plug			55
NEN6-6,5M45-E1-V3	Non-flush	6	NPN	Normally-closed (NC)	1500	M8 connector plug			55
NEN6-6,5M45-E2-V3	Non-flush	6	PNP	Normally-open (NO)	1500	M8 connector plug			55
NEN6-6,5M45-E3-V3	Non-flush	6	PNP	Normally-closed (NC)	1500	M8 connector plug			55

D6.5 Series – With Cable Connection



Standard Technical Data

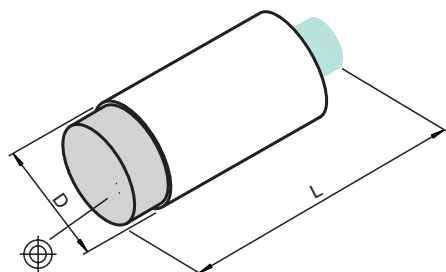
Special features	Extended temperature range
Output type	3-wire
Voltage type	DC
Operating voltage (min)	5 V
Operating voltage (max)	30 V
Connection type	Fixed cable
Housing diameter D	6.5 mm
UL	■

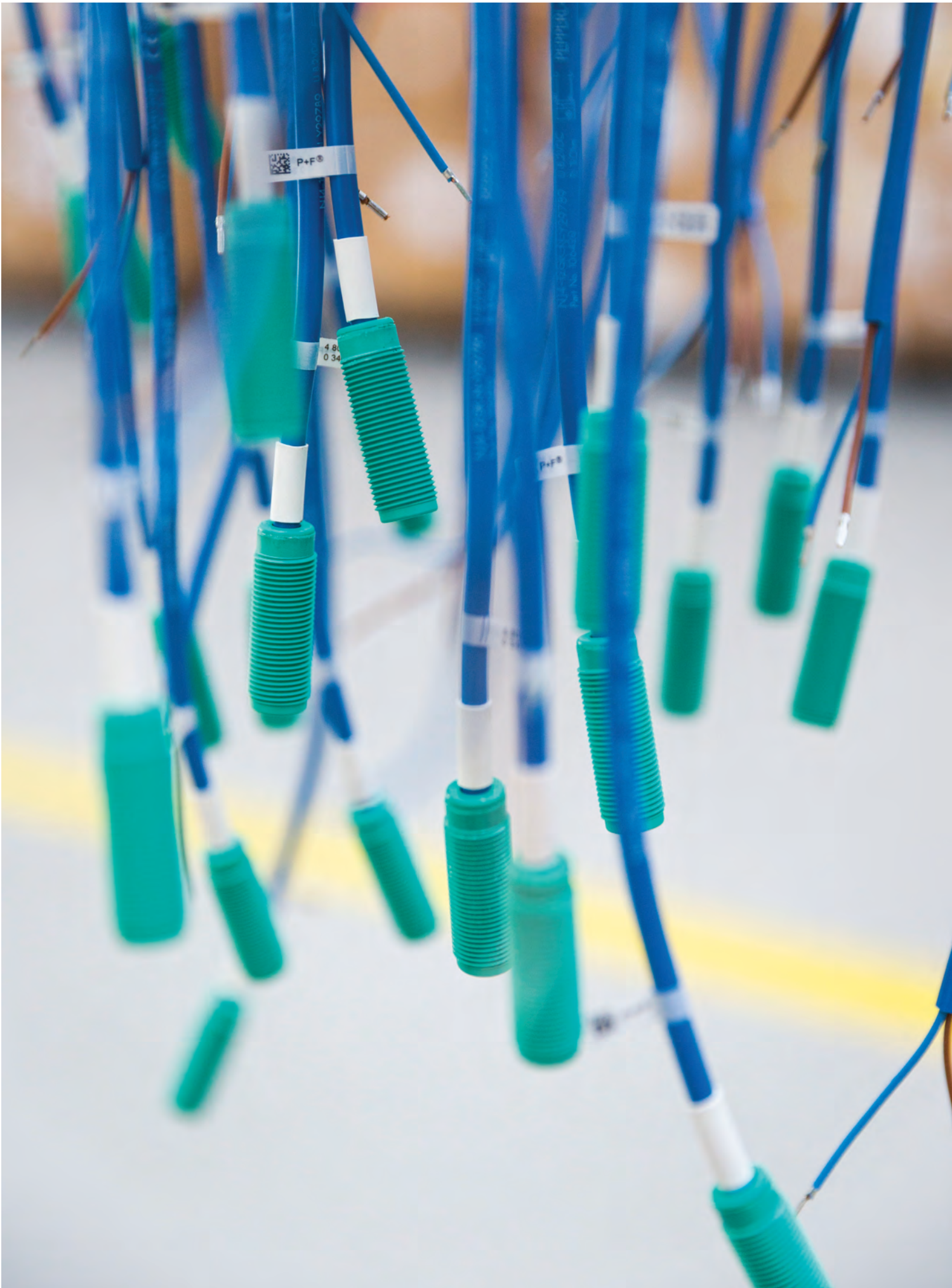
For detailed data and description, see the datasheet. Further products can be found online at www.pepperl-fuchs.com.

Model number	Type of installation	Detection range [mm]	Output type	Switching function	Switching frequency [Hz]	Cable length [mm]	Cable material	Length L
NBB2-6,5M30-E0	Flush	2	NPN	Normally-open (NO)	6000	2000	PVC	30
NBB2-6,5M30-E2	Flush	2	PNP	Normally-open (NO)	6000	2000	PVC	30
NBB2-6,5M30M-E2-5M	Flush	2	PNP	Normally-open (NO)	6000	5000	PVC	30
NBB2-6,5S16-E0	Flush	2	NPN	Normally-open (NO)	6000	2000	PVC	16
NBB2-6,5S16-E2	Flush	2	PNP	Normally-open (NO)	6000	2000	PVC	16
NBB2-6,5S16-E3	Flush	2	PNP	Normally-closed (NC)	6000	2000	PVC	16
NBB2-6,5S35-E0-PUR	Flush	2	NPN	Normally-open (NO)	6000	2000	PUR	35
NBB2-6,5S35-E2-PUR	Flush	2	PNP	Normally-open (NO)	6000	2000	PUR	35
NBB2-6,5S40-E0-PUR	Flush	2	NPN	Normally-open (NO)	6000	2000	PUR	40
NBB2-6,5S40-E2-5M-PUR	Flush	2	PNP	Normally-open (NO)	6000	5000	PUR	40
NBB2-6,5S40-E2-PUR	Flush	2	PNP	Normally-open (NO)	6000	2000	PUR	40
NBB2-6,5S40-E3-PUR	Flush	2	PNP	Normally-closed (NC)	6000	2000	PUR	40
NBB2-6,5S50-E0-PUR	Flush	2	NPN	Normally-open (NO)	6000	2000	PUR	50
NBB2-6,5S50-E2-PUR	Flush	2	PNP	Normally-open (NO)	6000	2000	PUR	50
NBN3-6,5M30-E0	Non-flush	3	NPN	Normally-open (NO)	4500	2000	PVC	30
NBN3-6,5M30-E2	Non-flush	3	PNP	Normally-open (NO)	4500	2000	PVC	30
NBN3-6,5S40-E0-PUR	Non-flush	3	NPN	Normally-open (NO)	4500	2000	PUR	40
NBN3-6,5S40-E2-PUR	Non-flush	3	PNP	Normally-open (NO)	4500	2000	PUR	40
NEB3-6,5M40-E0-PUR	Semi-flush	3	NPN	Normally-open (NO)	3500	2000	PUR	40
NEB3-6,5M40-E1-PUR	Semi-flush	3	NPN	Normally-closed (NC)	3500	2000	PUR	40
NEB3-6,5M40-E2-PUR	Semi-flush	3	PNP	Normally-open (NO)	3500	2000	PUR	40
NEB3-6,5M40-E3-PUR	Semi-flush	3	PNP	Normally-closed (NC)	3500	2000	PUR	40
NEN6-6,5M40-E0-PUR	Non-flush	6	NPN	Normally-open (NO)	1500	2000	PUR	40
NEN6-6,5M40-E1-PUR	Non-flush	6	NPN	Normally-closed (NC)	1500	2000	PUR	40
NEN6-6,5M40-E2-PUR	Non-flush	6	PNP	Normally-open (NO)	1500	2000	PUR	40
NEN6-6,5M40-E3-PUR	Non-flush	6	PNP	Normally-closed (NC)	1500	2000	PUR	40

Accessories

BF 6.5	Mounting adapter, 6.5 mm
---------------	--------------------------





M8 Series – With Plug Connection



Standard Technical Data

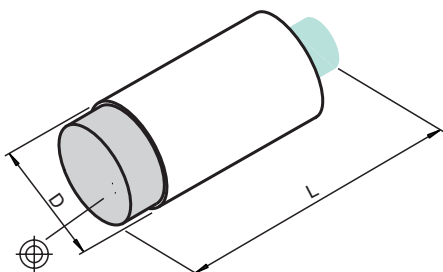
Voltage type	DC
Housing diameter D	8 mm

For detailed data and description, see the datasheet. Further products can be found online at www.pepperl-fuchs.com.

Model number	Type of installation	Detection range [mm]	Output type	Output type	Switching function	Switching frequency [Hz]	UB (min)	UB (max)	Connection type	Cable length [mm]	Length L	CCC	CSA	UL
NCB1,5-8GM50-Z0-V3	Flush	1.5	2-wire	2-wire	Normally-open (NO)	1200	5	60	M8 connector plug		50	■	■	■
NCB1,5-8GM50-Z1-V3	Flush	1.5	2-wire	2-wire	Normally-closed (NC)	1200	5	60	M8 connector plug		50	■	■	■
NBB1,5-8GM50-Z3-V3	Flush	1.5	2-wire	2-wire	Normally-open (NO)	1200	5	60	M8 connector plug		48	■	■	■
NBB2-8GH20-E0-V3	Flush	2	3-wire	NPN	Normally-open (NO)	1500	10	30	M8 connector plug		30	■	■	■
NBB2-8GH20-E2-V3	Flush	2	3-wire	PNP	Normally-open (NO)	1500	10	30	M8 connector plug		30	■	■	■
NBB2-8GH25-E0-V3	Flush	2	3-wire	NPN	Normally-open (NO)	1500	10	30	M8 connector plug		35	■	■	■
NBB2-8GH25-E2-V3	Flush	2	3-wire	PNP	Normally-open (NO)	1500	10	30	M8 connector plug		35	■	■	■
NBB2-8GH40-E0-V3	Flush	2	3-wire	NPN	Normally-open (NO)	1500	10	30	M8 connector plug		50	■	■	■
NBB2-8GH40-E2-V3	Flush	2	3-wire	PNP	Normally-open (NO)	1500	10	30	M8 connector plug		50	■	■	■
NBB2-8GM25-E0-V3	Flush	2	3-wire	NPN	Normally-open (NO)	6000	5	30	M8 connector plug		40	■	■	■
NBB2-8GM25-E1-V3	Flush	2	3-wire	NPN	Normally-closed (NC)	6000	5	30	M8 connector plug		40	■	■	■
NBB2-8GM25-E2-V3	Flush	2	3-wire	PNP	Normally-open (NO)	6000	5	30	M8 connector plug		40	■	■	■
NBB2-8GM25-E3-V3	Flush	2	3-wire	PNP	Normally-closed (NC)	6000	5	30	M8 connector plug		40	■	■	■
NBB2-8GM30-A0-V1	Flush	2	4-wire	NPN	Complementary	6000	5	30	M12 connector plug		55	■	■	■
NBB2-8GM30-A2-V1	Flush	2	4-wire	PNP	Complementary	6000	5	30	M12 connector plug		55	■	■	■
NBB2-8GM30-E0-V1	Flush	2	3-wire	NPN	Normally-open (NO)	6000	5	30	M12 connector plug		55	■	■	■
NBB2-8GM30-E2-0,2M-V3	Flush	2	3-wire	PNP	Normally-open (NO)	6000	5	30	Fixed cable with M8 plug	200	30	■	■	■
NBB2-8GM30-E2-0,3M-V3	Flush	2	3-wire	PNP	Normally-open (NO)	6000	5	30	Fixed cable with M8 plug	300	30	■	■	■
NBB2-8GM30-E2-0,5M-PUR-V1	Flush	2	3-wire	PNP	Normally-open (NO)	6000	5	30	Fixed cable with M12 plug	500	30	■	■	■
NBB2-8GM30-E2-0,5M-V1	Flush	2	3-wire	PNP	Normally-open (NO)	6000	5	30	Fixed cable with M12 plug	500	30	■	■	■
NBB2-8GM30-E2-V1	Flush	2	3-wire	PNP	Normally-open (NO)	6000	5	30	M12 connector plug		55	■	■	■
NBB2-8GM40-A0-V1	Flush	2	4-wire	NPN	Complementary	6000	5	30	M12 connector plug		65	■	■	■
NBB2-8GM40-A2-V1	Flush	2	4-wire	PNP	Complementary	6000	5	30	M12 connector plug		65	■	■	■
NBB2-8GM40-E0-V1	Flush	2	3-wire	NPN	Normally-open (NO)	6000	5	30	M12 connector plug		65	■	■	■
NBB2-8GM40-E0-V3	Flush	2	3-wire	NPN	Normally-open (NO)	6000	5	30	M8 connector plug		55	■	■	■
NBB2-8GM40-E2-0,2M-V1	Flush	2	3-wire	PNP	Normally-open (NO)	6000	5	30	Fixed cable with M12 plug	200	40	■	■	■
NBB2-8GM40-E2-0,3M-V3	Flush	2	3-wire	PNP	Normally-open (NO)	6000	5	30	Fixed cable with M8 plug	300	40	■	■	■
NBB2-8GM40-E2-V1	Flush	2	3-wire	PNP	Normally-open (NO)	6000	5	30	M12 connector plug		65	■	■	■
NBB2-8GM40-E2-V3	Flush	2	3-wire	PNP	Normally-open (NO)	6000	5	30	M8 connector plug		55	■	■	■
NBB2-8GM40-E3-V1	Flush	2	3-wire	PNP	Normally-closed (NC)	6000	5	30	M12 connector plug		65	■	■	■
NBB2-8GM40-E3-V3	Flush	2	3-wire	PNP	Normally-closed (NC)	6000	5	30	M8 connector plug		55	■	■	■
NBB2-8GS35-E0-V1	Flush	2	3-wire	NPN	Normally-open (NO)	6000	5	30	M12 connector plug		60	■	■	■
NBB2-8GS35-E1-V3	Flush	2	3-wire	NPN	Normally-closed (NC)	6000	5	30	M8 connector plug		50	■	■	■
NBB2-8GS35-E2-V1	Flush	2	3-wire	PNP	Normally-open (NO)	6000	5	30	M12 connector plug		60	■	■	■
NBB2-8GS35-E2-V3	Flush	2	3-wire	PNP	Normally-open (NO)	6000	5	30	M8 connector plug		50	■	■	■
NBB2-8GS35-E3-V1	Flush	2	3-wire	PNP	Normally-closed (NC)	6000	5	30	M12 connector plug		60	■	■	■
NBB2-8GS35-E3-V3	Flush	2	3-wire	PNP	Normally-closed (NC)	6000	5	30	M8 connector plug		50	■	■	■
NBB2-8GS40-E2-V1	Flush	2	3-wire	PNP	Normally-open (NO)	6000	5	30	M12 connector plug		65	■	■	■

Model number	Type of installation	Detection range [mm]	Output type	Output type	Switching function	Switching frequency [Hz]	UB (min)	UB (max)	Connection type	Cable length [mm]	Length L	CCC	CSA	UL
NBB2-8GS40-E2-V3	Flush	2	3-wire	PNP	Normally-open (NO)	6000	5	30	M8 connector plug		55			■
NBB2-8GS40-E3-V1	Flush	2	3-wire	PNP	Normally-closed (NC)	6000	5	30	M12 connector plug		65			■
NCN2-8GM50-Z0-V3	Non-flush	2	2-wire	2-wire	Normally-open (NO)	1200	5	60	M8 connector plug		40	■	■	■
NCN2-8GM50-Z1-V3	Non-flush	2	2-wire	2-wire	Normally-closed (NC)	1200	5	60	M8 connector plug		40	■	■	■
NXB2-8GM25-E2-V3	Flush	2	3-wire	PNP	Normally-open (NO)	1000	10	30	M8 connector plug		40			
NEB3-8GM40-E0-V1	Flush	3	3-wire	NPN	Normally-open (NO)	3500	5	30	M12 connector plug		65			■
NEB3-8GM40-E0-V3	Flush	3	3-wire	NPN	Normally-open (NO)	3500	5	30	M8 connector plug		55			■
NEB3-8GM40-E1-V1	Flush	3	3-wire	NPN	Normally-closed (NC)	3500	5	30	M12 connector plug		65			■
NEB3-8GM40-E1-V3	Flush	3	3-wire	NPN	Normally-closed (NC)	3500	5	30	M8 connector plug		55			■
NEB3-8GM40-E2-V1	Flush	3	3-wire	PNP	Normally-open (NO)	3500	5	30	M12 connector plug		65			■
NEB3-8GM40-E2-V3	Flush	3	3-wire	PNP	Normally-open (NO)	3500	5	30	M8 connector plug		55			■
NEB3-8GM40-E3-V1	Flush	3	3-wire	PNP	Normally-closed (NC)	3500	5	30	M12 connector plug		65			■
NEB3-8GM40-E3-V3	Flush	3	3-wire	PNP	Normally-closed (NC)	3500	5	30	M8 connector plug		55			■
NEB4-8GM50-E2-V3	Semi-flush	4	3-wire	PNP	Normally-open (NO)	500	10	30	M8 connector plug		45.5		■	■
NBN2-8GM50-Z1-V3	Non-flush	2	2-wire	2-wire	Normally-closed (NC)	1200	5	60	M8 connector plug		48	■	■	■
NBN2-8GM50-Z3-V3	Non-flush	2	2-wire	2-wire	Normally-open (NO)	1200	5	60	M8 connector plug		48	■	■	■
NBN3-8GM25-E0-V3	Non-flush	3	3-wire	NPN	Normally-open (NO)	4500	5	30	M8 connector plug		40			■
NBN3-8GM25-E1-V3	Non-flush	3	3-wire	NPN	Normally-closed (NC)	4500	5	30	M8 connector plug		40			■
NBN3-8GM25-E2-V3	Non-flush	3	3-wire	PNP	Normally-open (NO)	4500	5	30	M8 connector plug		40			■
NBN3-8GM25-E3-V3	Non-flush	3	3-wire	PNP	Normally-closed (NC)	4500	5	30	M8 connector plug		40			■
NBN3-8GM30-E0-V1	Non-flush	3	3-wire	NPN	Normally-open (NO)	4500	5	30	M12 connector plug		55			■
NBN3-8GM30-E2-V1	Non-flush	3	3-wire	PNP	Normally-open (NO)	4500	5	30	M12 connector plug		55			■
NBN3-8GM40-A0-V1	Non-flush	3	4-wire	NPN	Complementary	4500	5	30	M12 connector plug		65			■
NBN3-8GM40-A2-V1	Non-flush	3	4-wire	PNP	Complementary	4500	5	30	M12 connector plug		65			■
NBN3-8GM40-E0-V1	Non-flush	3	3-wire	NPN	Normally-open (NO)	4500	5	30	M12 connector plug		65			■
NBN3-8GM40-E2-V1	Non-flush	3	3-wire	PNP	Normally-open (NO)	4500	5	30	M12 connector plug		65			■
NBN3-8GM40-E2-V3	Non-flush	3	3-wire	PNP	Normally-open (NO)	4500	5	30	M8 connector plug		55			■
NBN3-8GS35-E0-V3	Non-flush	3	3-wire	NPN	Normally-open (NO)	4500	5	30	M8 connector plug		50			■
NBN3-8GS35-E1-V3	Non-flush	3	3-wire	NPN	Normally-closed (NC)	4500	5	30	M8 connector plug		50			■
NBN3-8GS35-E2-V1	Non-flush	3	3-wire	PNP	Normally-open (NO)	4500	5	30	M12 connector plug		60			■
NBN3-8GS35-E2-V3	Non-flush	3	3-wire	PNP	Normally-open (NO)	4500	5	30	M8 connector plug		50			■
NBN3-8GS35-E3-V3	Non-flush	3	3-wire	PNP	Normally-closed (NC)	4500	5	30	M8 connector plug		50			■
NXN3-8GM25-E2-V3	Non-flush	3	3-wire	PNP	Normally-open (NO)	1000	10	30	M8 connector plug		40			
NEN6-8GM40-E0-V1	Non-flush	6	3-wire	NPN	Normally-open (NO)	1500	5	30	M12 connector plug		65			■
NEN6-8GM40-E0-V3	Non-flush	6	3-wire	NPN	Normally-open (NO)	1500	5	30	M8 connector plug		55			■
NEN6-8GM40-E1-V1	Non-flush	6	3-wire	NPN	Normally-closed (NC)	1500	5	30	M12 connector plug		65			■
NEN6-8GM40-E1-V3	Non-flush	6	3-wire	NPN	Normally-closed (NC)	1500	5	30	M8 connector plug		55			■
NEN6-8GM40-E2-V1	Non-flush	6	3-wire	PNP	Normally-open (NO)	1500	5	30	M12 connector plug		65			■
NEN6-8GM40-E2-V3	Non-flush	6	3-wire	PNP	Normally-open (NO)	1500	5	30	M8 connector plug		55			■
NEN6-8GM40-E3-V1	Non-flush	6	3-wire	PNP	Normally-closed (NC)	1500	5	30	M12 connector plug		65			■
NEN6-8GM40-E3-V3	Non-flush	6	3-wire	PNP	Normally-closed (NC)	1500	5	30	M8 connector plug		55			■

Accessories	
BF 8	Mounting adapter, 8 mm
EXG-08	Quick-mounting bracket with fixed stop
V1-G-2M-PUR	Single-ended female cordset, M12, 4-pin, PUR cable
V1-W-2M-PUR	Single-ended female cordset, M12, 4-pin, PUR cable
V3-WM-2M-PUR	Single-ended female cordset, M8, 3-pin, PUR cable
V3-WMV4A-5M-PUR	Single-ended female cordset, M8, stainless steel V4A, 3-pin, PUR cable



M8 Series – With Cable Connection



Standard Technical Data

Voltage type	DC
Connection type	Fixed cable
Housing diameter D	8 mm

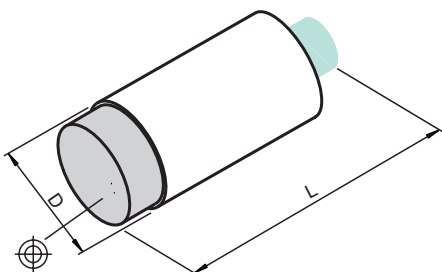
For detailed data and description, see the datasheet. Further products can be found online at www.pepperl-fuchs.com.

Model number	Type of installation	Detection range [mm]	Output type	Output type	Switching function	Switching frequency [Hz]	UB (min)	UB (max)	Cable length [mm]	Cable material	Length L	CCC	CSA	UL
NBB1,5-8GM40-Z0	Flush	1.5	2-wire	2-wire	Normally-open (NO)	1200	5	60	2000	PVC	40	■	■	■
NBB1,5-8GM40-Z1	Flush	1.5	2-wire	2-wire	Normally-closed (NC)	1200	5	60	2000	PVC	40	■	■	■
NCB1,5-8GM40-Z0	Flush	1.5	2-wire	2-wire	Normally-open (NO)	1200	5	60	2000	PUR	40	■	■	■
NCB1,5-8GM40-Z1	Flush	1.5	2-wire	2-wire	Normally-closed (NC)	1200	5	60	2000	PUR	40	■	■	■
NBB2-8GM30-E0	Flush	2	3-wire	NPN	Normally-open (NO)	6000	5	30	2000	PVC	30			■
NBB2-8GM30-E0-5M-PUR	Flush	2	3-wire	NPN	Normally-open (NO)	6000	5	30	5000	PUR	30			■
NBB2-8GM30-E2	Flush	2	3-wire	PNP	Normally-open (NO)	6000	5	30	2000	PVC	30			■
NBB2-8GM30-E2-10M	Flush	2	3-wire	PNP	Normally-open (NO)	6000	5	30	10000	PVC	30			■
NBB2-8GM30-E2-5M	Flush	2	3-wire	PNP	Normally-open (NO)	6000	5	30	5000	PVC	30			■
NBB2-8GM30-E2-5M-PUR	Flush	2	3-wire	PNP	Normally-open (NO)	6000	5	30	5000	PUR	30			■
NBB2-8GM30-E3	Flush	2	3-wire	PNP	Normally-closed (NC)	6000	5	30	2000	PVC	30			■
NBB2-8GM30-E3-10M	Flush	2	3-wire	PNP	Normally-closed (NC)	6000	5	30	10000	PVC	30			■
NBB2-8GM30-E3-5M	Flush	2	3-wire	PNP	Normally-closed (NC)	6000	5	30	5000	PVC	30			■
NBB2-8GM35-E2-3M-PUR	Flush	2	3-wire	PNP	Normally-open (NO)	6000	5	30	3000	PUR	35			■
NBB2-8GM40-E2	Flush	2	3-wire	PNP	Normally-open (NO)	6000	5	30	2000	PVC	40			■
NBB2-8GM40-E3	Flush	2	3-wire	PNP	Normally-closed (NC)	6000	5	30	2000	PVC	40			■
NBB2-8GM50-A0	Flush	2	3-wire	NPN	Complementary	6000	5	30	2000	PVC	50			■
NBB2-8GM50-A2	Flush	2	3-wire	PNP	Complementary	6000	5	30	2000	PVC	50			■
NBB2-8GM50-A2-5M	Flush	2	3-wire	PNP	Complementary	6000	5	30	5000	PVC	50			■
NBB2-8GM50-E0	Flush	2	3-wire	NPN	Normally-open (NO)	6000	5	30	2000	PVC	50			■
NBB2-8GM50-E0-5M	Flush	2	3-wire	NPN	Normally-open (NO)	6000	5	30	5000	PVC	50			■
NBB2-8GM50-E2	Flush	2	3-wire	PNP	Normally-open (NO)	6000	5	30	2000	PVC	50			■
NBB2-8GM50-E2-3M	Flush	2	3-wire	PNP	Normally-open (NO)	6000	5	30	3000	PVC	50			■
NBB2-8GM50-E2-5M	Flush	2	3-wire	PNP	Normally-open (NO)	6000	5	30	5000	PVC	50			■
NBB2-8GM50-E2-PUR	Flush	2	3-wire	PNP	Normally-open (NO)	6000	5	30	2000	PUR	50			■
NBB2-8GS16-E0	Flush	2	3-wire	NPN	Normally-open (NO)	6000	5	30	2000	PVC	16			■
NBB2-8GS16-E2	Flush	2	3-wire	PNP	Normally-open (NO)	6000	5	30	2000	PVC	16			■
NBB2-8GS16-E2-3M-PUR	Flush	2	3-wire	PNP	Normally-open (NO)	6000	5	30	3000	PUR	16			■
NBB2-8GS16-E3	Flush	2	3-wire	PNP	Normally-closed (NC)	6000	5	30	2000	PVC	16			■
NBB2-8GS30-E3-3M-PUR	Flush	2	3-wire	PNP	Normally-closed (NC)	6000	5	30	3000	PUR	30			■
NBB2-8GS35-E0-PUR	Flush	2	3-wire	NPN	Normally-open (NO)	6000	5	30	2000	PUR	35			■
NBB2-8GS35-E1-PUR	Flush	2	3-wire	NPN	Normally-closed (NC)	6000	5	30	2000	PUR	35			■
NBB2-8GS35-E2-5M-PUR	Flush	2	3-wire	PNP	Normally-open (NO)	6000	5	30	5000	PUR	35			■
NBB2-8GS35-E2-PUR	Flush	2	3-wire	PNP	Normally-open (NO)	6000	5	30	2000	PUR	35			■
NBB2-8GS35-E3-8M-PUR	Flush	2	3-wire	PNP	Normally-closed (NC)	6000	5	30	8000	PUR	35			■
NBB2-8GS35-E3-PUR	Flush	2	3-wire	PNP	Normally-closed (NC)	6000	5	30	2000	PUR	35			■
NBB2-8GS40-E0-5M-PUR	Flush	2	3-wire	NPN	Normally-open (NO)	6000	5	30	5000	PUR	40			■
NBB2-8GS40-E0-PUR	Flush	2	3-wire	NPN	Normally-open (NO)	6000	5	30	2000	PUR	40			■

Model number	Type of installation	Detection range [mm]	Output type	Output type	Switching function	Switching frequency [Hz]	UB (min)	UB (max)	Cable length [mm]	Cable material	Length L	CCC	CSA	UL
NBB2-8GS40-E2-5M-PUR	Flush	2	3-wire	PNP	Normally-open (NO)	6000	5	30	5000	PUR	40			■
NBB2-8GS40-E2-PUR	Flush	2	3-wire	PNP	Normally-open (NO)	6000	5	30	2000	PUR	40			■
NBB2-8GS40-E3-10M-PUR	Flush	2	3-wire	PNP	Normally-closed (NC)	6000	5	30	10000	PUR	40			■
NBB2-8GS40-E3-PUR	Flush	2	3-wire	PNP	Normally-closed (NC)	6000	5	30	2000	PUR	40			■
NBB2-8GS50-E0-PUR	Flush	2	3-wire	NPN	Normally-open (NO)	6000	5	30	2000	PUR	50			■
NBB2-8GS50-E2	Flush	2	3-wire	PNP	Normally-open (NO)	6000	5	30	2000	PVC	50			■
NBB2-8GS50-E2-0,6M-PUR	Flush	2	3-wire	PNP	Normally-open (NO)	6000	5	30	600	PUR	50			■
NBB2-8GS50-E2-3,5M-PUR	Flush	2	3-wire	PNP	Normally-open (NO)	6000	5	30	5000	PUR	50			■
NBB2-8GS50-E2-5M-PUR	Flush	2	3-wire	PNP	Normally-open (NO)	6000	5	30	5000	PUR	50			■
NBB2-8GS50-E2-PUR	Flush	2	3-wire	PNP	Normally-open (NO)	6000	5	30	2000	PUR	50			■
NBB2-8GS50-E3-PUR	Flush	2	3-wire	PNP	Normally-closed (NC)	6000	5	30	2000	PUR	50			■
NXB2-8GM30-E2	Flush	2	3-wire	PNP	Normally-open (NO)	1000	10	30	2000	PVC	30			
NEB3-8GM40-E0-PUR	Flush	3	3-wire	NPN	Normally-open (NO)	3500	5	30	2000	PUR	40			■
NEB3-8GM40-E1-PUR	Flush	3	3-wire	NPN	Normally-closed (NC)	3500	5	30	2000	PUR	40			■
NEB3-8GM40-E2-PUR	Flush	3	3-wire	PNP	Normally-open (NO)	3500	5	30	2000	PUR	40			■
NEB3-8GM40-E3-PUR	Flush	3	3-wire	PNP	Normally-closed (NC)	3500	5	30	2000	PUR	40			■
NEB4-8GM45-E2	Semi-flush	4	3-wire	PNP	Normally-open (NO)	500	10	30	2000	PUR	45		■	■
NCN2-8GM40-Z0	Non-flush	2	2-wire	2-wire	Normally-open (NO)	1200	5	60	2000	PUR	40	■	■	■
NCN2-8GM40-Z1	Non-flush	2	2-wire	2-wire	Normally-closed (NC)	1200	5	60	2000	PUR	40	■	■	■
NBN2-8GM40-Z1	Non-flush	2	2-wire	2-wire	Normally-closed (NC)	1200	5	60	2000	PVC	40	■	■	■
NBN3-8GM30-E0	Non-flush	3	3-wire	NPN	Normally-open (NO)	4500	5	30	2000	PVC	30			■
NBN3-8GM30-E2	Non-flush	3	3-wire	PNP	Normally-open (NO)	4500	5	30	2000	PVC	30			■
NBN3-8GM30-E2-5M	Non-flush	3	3-wire	PNP	Normally-open (NO)	4500	5	30	5000	PVC	30			■
NBN3-8GM30-E3	Non-flush	3	3-wire	PNP	Normally-closed (NC)	4500	5	30	2000	PVC	30			■
NBN3-8GM50-A0	Non-flush	3	3-wire	NPN	Complementary	4500	5	30	2000	PVC	50			■
NBN3-8GM50-A2	Non-flush	3	3-wire	PNP	Complementary	4500	5	30	2000	PVC	50			■
NBN3-8GM50-E0	Non-flush	3	3-wire	NPN	Normally-open (NO)	4500	5	30	2000	PVC	50			■
NBN3-8GM50-E2	Non-flush	3	3-wire	PNP	Normally-open (NO)	4500	5	30	2000	PVC	50			■
NBN3-8GS35-E1-PUR	Non-flush	3	3-wire	NPN	Normally-closed (NC)	4500	5	30	2000	PUR	35			■
NBN3-8GS35-E2-5M-PUR	Non-flush	3	3-wire	PNP	Normally-open (NO)	4500	5	30	5000	PUR	35			■
NBN3-8GS40-E0-PUR	Non-flush	3	3-wire	NPN	Normally-open (NO)	4500	5	30	2000	PUR	40			■
NBN3-8GS40-E2-10M-PUR	Non-flush	3	3-wire	PNP	Normally-open (NO)	4500	5	30	10000	PUR	40			■
NBN3-8GS40-E2-PUR	Non-flush	3	3-wire	PNP	Normally-open (NO)	4500	5	30	2000	PUR	40			■
NBN3-8GS40-E3-PUR	Non-flush	3	3-wire	PNP	Normally-closed (NC)	4500	5	30	2000	PUR	40			■
NXN3-8GM30-E2	Non-flush	3	3-wire	PNP	Normally-open (NO)	1000	10	30	2000	PVC	30			
NEN6-8GM40-E0-PUR	Non-flush	6	3-wire	NPN	Normally-open (NO)	1500	5	30	2000	PUR	40			■
NEN6-8GM40-E1-PUR	Non-flush	6	3-wire	NPN	Normally-closed (NC)	1500	5	30	2000	PUR	40			■
NEN6-8GM40-E2-PUR	Non-flush	6	3-wire	PNP	Normally-open (NO)	1500	5	30	2000	PUR	40			■
NEN6-8GM40-E3-PUR	Non-flush	6	3-wire	PNP	Normally-closed (NC)	1500	5	30	2000	PUR	40			■

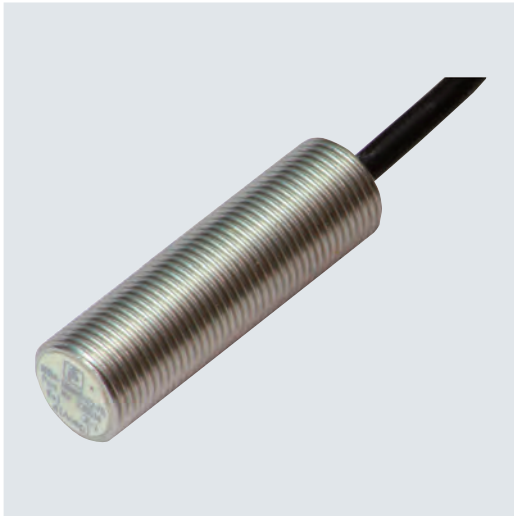
Accessories

BF 8	Mounting adapter, 8 mm
EXG-08	Quick-mounting bracket with fixed stop





M11 Series

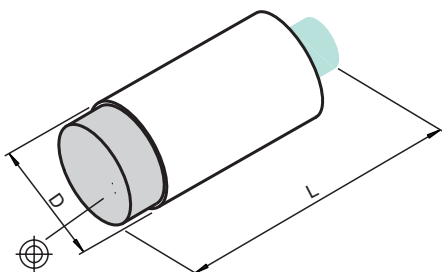


Standard Technical Data	
Output type	2-wire
Output type	NAMUR
Switching function	Normally-closed (NC)
Voltage type	DC
Switching frequency	3000 Hz
Operating voltage (min)	8.2 V
Operating voltage (max)	8.2 V
Connection type	Fixed cable
Cable material	PVC
ATEX	■
UL	■

For detailed data and description, see the datasheet. Further products can be found online at www.pepperl-fuchs.com.

Model number	Type of installation	Detection range [mm]	SIL	Cable length [mm]	Length L	Diameter D	EAC	FM
NJ2-11-N	Flush	2	2	2000	31	11	■	■
NJ2-11-N-G	Flush	2	2	2000	30	14	■	■
NJ2-11-N-G-5M	Flush	2	2	5000	30	14	■	■
NJ2-11-N-G-10M	Flush	2		10000	30	14	■	
NJ5-11-N-G	Non-flush	5	2	2000	31	14	■	
NJ5-11-N-G-5M	Non-flush	5	2	5000	31	14	■	
NJ5-11-N-G-10M	Non-flush	5	2	10000	31	14	■	
NJ5-11-N-G-6M	Non-flush	5	2	6000	31	14	■	

Accessories	
BF 11	Mounting adapter, 11 mm





M12 Series – With Plug Connection



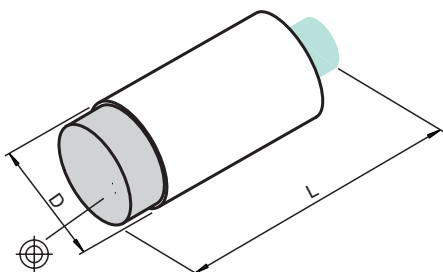
Standard Technical Data

Voltage type	DC
Housing diameter D	12 mm

For detailed data and description, see the datasheet. Further products can be found online at www.pepperl-fuchs.com.

Model number	Type of installation	Detection range [mm]	Output type	Output type	Switching function	Switching frequency [Hz]	UB (min)	UB (max)	Connection type	Length L	CCC	CSA	EAC	UL
NBB2-12GM30-E2-V1	Flush	2	3-wire	PNP	Normally-open (NO)	800	10	30	M12 connector plug	45	■	■	■	■
NBB2-12GM40-E0-V1	Flush	2	3-wire	NPN	Normally-open (NO)	1000	10	30	M12 connector plug	50	■	■	■	■
NBB2-12GM40-E2-V1	Flush	2	3-wire	PNP	Normally-open (NO)	1000	10	30	M12 connector plug	50	■	■	■	■
NBB2-12GM40-Z0-V1	Flush	2	2-wire	2-wire	Normally-open (NO)	1000	5	60	M12 connector plug	40	■	■	■	■
NBB2-12GM40-Z3-V1	Flush	2	2-wire	2-wire	Normally-open (NO)	1000	5	60	M12 connector plug	40	■	■	■	■
NBB2-12GM50-A2-V1	Flush	2	4-wire	PNP	Complementary	1000	10	30	M12 connector plug	50	■	■	■	■
NBB2-12GM50-E0-V1	Flush	2	3-wire	NPN	Normally-open (NO)	1500	10	30	M12 connector plug	50	■	■	■	■
NBB2-12GM50-E1-V1	Flush	2	3-wire	NPN	Normally-closed (NC)	1500	10	30	M12 connector plug	50	■	■	■	■
NBB2-12GM50-E2-V1	Flush	2	3-wire	PNP	Normally-open (NO)	1500	10	30	M12 connector plug	50	■	■	■	■
NBB2-12GM50-E3-V1	Flush	2	3-wire	PNP	Normally-closed (NC)	1500	10	30	M12 connector plug	50	■	■	■	■
NBB2-12GM60-A0-V1	Flush	2	4-wire	NPN	Complementary	1000	10	30	M12 connector plug	70	■	■	■	■
NBB2-12GM60-A2-V1	Flush	2	4-wire	PNP	Complementary	1000	10	30	M12 connector plug	70	■	■	■	■
NBB2-12GM60-E2-V1	Flush	2	3-wire	PNP	Normally-open (NO)	1500	10	30	M12 connector plug	70	■	■	■	■
NBB2-12GS40-Z4L-V1	Flush	2	2-wire		Normally-open (NO)	700	3.7	30	M12 connector plug	55				
NCB2-12GM40-Z0-V1	Flush	2	2-wire	2-wire	Normally-open (NO)	800	5	60	M12 connector plug	40	■	■	■	■
NCB2-12GM40-Z1-V1	Flush	2	2-wire	2-wire	Normally-closed (NC)	800	5	60	M12 connector plug	40	■	■	■	■
NCB2-12GM60-B3-V1	Flush	2	2-wire	AS-Interface	Normally open/close selectable	500	26.5	31.9	M12 connector plug	60	■	■	■	■
NJ2-12GM40-E-V1	Flush	2	3-wire	NPN	Normally-open (NO)	3000	10	60	M12 connector plug	50	■	■	■	■
NJ2-12GM40-E2-V1	Flush	2	3-wire	PNP	Normally-open (NO)	3000	10	60	M12 connector plug	50	■	■	■	■
NJ2-12GM40-E3-V1	Flush	2	3-wire	PNP	Normally-closed (NC)	3000	10	60	M12 connector plug	50	■	■	■	■
NBB4-12GM30-E0-V1	Flush	4	3-wire	NPN	Normally-open (NO)	500	10	30	M12 connector plug	35	■	■	■	■
NBB4-12GM30-E2-V1	Flush	4	3-wire	PNP	Normally-open (NO)	500	10	30	M12 connector plug	30	■	■	■	■
NBB4-12GM30-E2-V3	Flush	4	3-wire	PNP	Normally-open (NO)	500	10	30	M8 connector plug	30	■	■	■	■
NBB4-12GM30-E3-V1	Flush	4	3-wire	PNP	Normally-closed (NC)	500	10	30	M12 connector plug	30	■	■	■	■
NBB4-12GM35-A0-V1	Flush	4	4-wire	NPN	Complementary	2500	10	30	M12 connector plug	51				■
NBB4-12GM35-A2-V1	Flush	4	4-wire	PNP	Complementary	2500	10	30	M12 connector plug	51				■
NBB4-12GM50-A0-V1	Flush	4	4-wire	NPN	Complementary	1500	10	30	M12 connector plug	65	■	■	■	■
NBB4-12GM50-A2-V1	Flush	4	4-wire	PNP	Complementary	1500	10	30	M12 connector plug	65	■	■	■	■
NBB4-12GM50-E0-V1	Flush	4	3-wire	NPN	Normally-open (NO)	800	10	30	M12 connector plug	65	■	■	■	■
NBB4-12GM50-E1-V1	Flush	4	3-wire	NPN	Normally-closed (NC)	800	10	30	M12 connector plug	65	■	■	■	■
NBB4-12GM50-E2-V1	Flush	4	3-wire	PNP	Normally-open (NO)	800	10	30	M12 connector plug	50	■	■	■	■
NBB4-12GM50-E3-V1	Flush	4	3-wire	PNP	Normally-closed (NC)	800	10	30	M12 connector plug	65	■	■	■	■
NCB4-12GM40-Z4-V1	Flush	4	2-wire	2-wire	Normally-open (NO)	1000	3.5	30	M12 connector plug	35	■	■	■	■
NCB4-12GM40-Z5-V1	Flush	4	2-wire	2-wire	Normally-closed (NC)	1000	3.5	30	M12 connector plug	35	■	■	■	■
NCB4-12GM40-Z7-V1	Flush	4	2-wire	2-wire	Normally-closed (NC)	1000	3.5	30	M12 connector plug	35	■	■	■	■
NCB4-12GM50-E2-V1	Flush	4	3-wire	PNP	Normally-open (NO)	800	10	30	M12 connector plug	50	■	■	■	■
NCB4-12GM60-B3-V1	Flush	4	2-wire	AS-Interface	Normally open/close selectable	500	26.5	31.9	M12 connector plug	60	■	■	■	■
NCB4-12GM60-B3B-V1	Flush	4	2-wire	AS-Interface	Normally open/close selectable	500	26.5	31.9	M12 connector plug	60	■	■	■	■

Model number	Type of installation	Detection range [mm]	Output type	Output type	Switching function	Switching frequency [Hz]	UB (min)	UB (max)	Connection type	Length L	CCC	CSA	EAC	UL
NEB6-12GM50-E0-V1	Semi-flush	6	3-wire	NPN	Normally-open (NO)	800	10	30	M12 connector plug	60				■ ■
NEB6-12GM50-E1-V1	Semi-flush	6	3-wire	NPN	Normally-closed (NC)	800	10	30	M12 connector plug	60				■ ■
NEB6-12GM50-E2-V1	Semi-flush	6	3-wire	PNP	Normally-open (NO)	800	10	30	M12 connector plug	60				■ ■
NEB6-12GM50-E3-V1	Semi-flush	6	3-wire	PNP	Normally-closed (NC)	800	10	30	M12 connector plug	60				■ ■
NEB8-12GM50-E2-V1	Semi-flush	8	3-wire	PNP	Normally-open (NO)	400	10	30	M12 connector plug	60				■ ■
NBN4-12GM35-A0-V1	Non-flush	4	4-wire	NPN	Complementary	800	10	30	M12 connector plug	35				■ ■
NBN4-12GM35-A2-V1	Non-flush	4	4-wire	PNP	Complementary	800	10	30	M12 connector plug	35				■ ■
NBN4-12GM40-E0-V1	Non-flush	4	3-wire	NPN	Normally-open (NO)	1200	10	30	M12 connector plug	50				■ ■
NBN4-12GM40-E2-V1	Non-flush	4	3-wire	PNP	Normally-open (NO)	1200	10	30	M12 connector plug	50				■ ■
NBN4-12GM40-Z0-V1	Non-flush	4	2-wire	2-wire	Normally-open (NO)	1000	5	60	M12 connector plug	40				■ ■
NBN4-12GM40-Z3-V1	Non-flush	4	2-wire	2-wire	Normally-open (NO)	1000	5	60	M12 connector plug	40				■ ■
NBN4-12GM50-E0-V1	Non-flush	4	3-wire	NPN	Normally-open (NO)	1200	10	30	M12 connector plug	50				■ ■
NBN4-12GM50-E1-V1	Non-flush	4	3-wire	NPN	Normally-closed (NC)	1200	10	30	M12 connector plug	50				■ ■
NBN4-12GM50-E2-V1	Non-flush	4	3-wire	PNP	Normally-open (NO)	1200	10	30	M12 connector plug	50				■ ■
NBN4-12GM50-E3-V1	Non-flush	4	3-wire	PNP	Normally-closed (NC)	1200	10	30	M12 connector plug	50				■ ■
NBN4-12GM60-A0-V1	Non-flush	4	4-wire	NPN	Complementary	1200	10	30	M12 connector plug	70				■ ■
NBN4-12GM60-A2-V1	Non-flush	4	4-wire	PNP	Complementary	1200	10	30	M12 connector plug	70				■ ■
NBN4-12GS40-Z4L-V1	Non-flush	4	2-wire	2-wire	Normally-open (NO)	700	3.7	30	M12 connector plug	55				
NCN4-12GM40-Z0-V1	Non-flush	4	2-wire	2-wire	Normally-open (NO)	800	5	60	M12 connector plug	40				■ ■
NCN4-12GM40-Z1-V1	Non-flush	4	2-wire	2-wire	Normally-closed (NC)	800	5	60	M12 connector plug	40				■ ■
NCN4-12GM60-B3-C2-V1	Non-flush	4	2-wire	AS-Interface	Normally open/close selectable	500	26.5	31.9	M12 connector plug	60				■ ■
NCN4-12GM60-B3B-C2-V1	Non-flush	4	2-wire	AS-Interface	Normally open/close selectable	500	26.5	31.9	M12 connector plug	60				■ ■
NJ4-12GM40-E-V1	Non-flush	4	3-wire	NPN	Normally-open (NO)	2000	10	60	M12 connector plug	50				■ ■
NJ4-12GM40-E2-V1	Non-flush	4	3-wire	PNP	Normally-open (NO)	2000	10	60	M12 connector plug	50				■ ■
NJ4-12GM40-E3-V1	Non-flush	4	3-wire	PNP	Normally-closed (NC)	2000	10	60	M12 connector plug	50				■ ■
NBN7-12GM35-E2-V1	Non-flush	7	3-wire	PNP	Normally-open (NO)	300	10	30	M12 connector plug	35				■ ■
NBN7-12GM35-E3-V1	Non-flush	7	3-wire	PNP	Normally-closed (NC)	300	10	30	M12 connector plug	35				■ ■
NBN8-12GM35-A0-V1	Non-flush	8	4-wire	NPN	Complementary	2000	10	30	M12 connector plug	51				■ ■
NBN8-12GM35-A2-V1	Non-flush	8	4-wire	PNP	Complementary	2000	10	30	M12 connector plug	51				■ ■
NBN8-12GM50-A0-V1	Non-flush	8	4-wire	NPN	Complementary	1500	10	30	M12 connector plug	65				■ ■
NBN8-12GM50-A2-V1	Non-flush	8	4-wire	PNP	Complementary	1500	10	30	M12 connector plug	65				■ ■
NBN8-12GM50-E0-V1	Non-flush	8	3-wire	NPN	Normally-open (NO)	1500	10	30	M12 connector plug	50				■ ■
NBN8-12GM50-E2-V1	Non-flush	8	3-wire	PNP	Normally-open (NO)	1500	10	30	M12 connector plug	50				■ ■
NCN8-12GM40-Z4-V1	Non-flush	8	2-wire	2-wire	Normally-open (NO)	750	3.5	30	M12 connector plug	35				■ ■
NCN8-12GM40-Z5-V1	Non-flush	8	2-wire	2-wire	Normally-closed (NC)	750	3.5	30	M12 connector plug	35				■ ■
NCN8-12GM40-Z7-V1	Non-flush	8	2-wire	2-wire	Normally-closed (NC)	750	3.5	30	M12 connector plug	35				■ ■
NEN10-12GM50-E0-V1	Non-flush	10	3-wire	NPN	Normally-open (NO)	600	10	30	M12 connector plug	60				■ ■
NEN10-12GM50-E1-V1	Non-flush	10	3-wire	NPN	Normally-closed (NC)	600	10	30	M12 connector plug	60				■ ■
NEN10-12GM50-E2-V1	Non-flush	10	3-wire	PNP	Normally-open (NO)	600	10	30	M12 connector plug	60				■ ■
NEN10-12GM50-E3-V1	Non-flush	10	3-wire	PNP	Normally-closed (NC)	600	10	30	M12 connector plug	60				■ ■



Accessories

BF 12	Mounting adapter, 12 mm
EXG-12	Quick-mounting bracket with fixed stop
V1-G-2M-PUR	Single-ended female cordset, M12, 4-pin, PUR cable
V1-G-BK0,3M-PUR-U-V1-G	Cordset, M12 to M12, PUR cable, 4-pin
V1-G-BK1M-PUR-U-V1-G	Cordset, M12 to M12, PUR cable, 4-pin
V1-W-2M-PUR	Single-ended female cordset, M12, 4-pin, PUR cable
V3-WM-2M-PUR	Single-ended female cordset, M8, 3-pin, PUR cable

M12 Series – With Cable Connection



Standard Technical Data

Voltage type	DC
Connection type	Fixed cable
Housing diameter D	12 mm

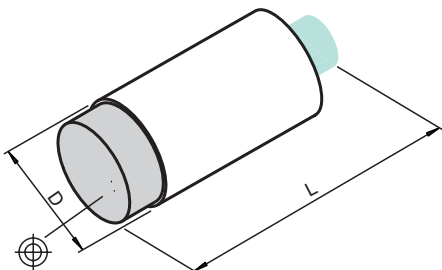
For detailed data and description, see the datasheet. Further products can be found online at www.pepperl-fuchs.com.

Model number	Type of installation	Detection range [mm]	Output type	Output type	Switching function	Switching frequency [Hz]	UB (min)	UB (max)	Cable length [mm]	Cable material	Length L	CCC	CSA	EAC	UL
NBB2-12GK50-E0	Flush	2	3-wire	NPN	Normally-open (NO)	1500	10	30	2000	PVC	50	■	■	■	■
NBB2-12GK50-E2	Flush	2	3-wire	PNP	Normally-open (NO)	1500	10	30	2000	PVC	50	■	■	■	■
NBB2-12GK50-E2-10M	Flush	2	3-wire	PNP	Normally-open (NO)	1500	10	30	10000	PVC	50	■	■	■	■
NBB2-12GK60-E2-5M PUR	Flush	2	3-wire	PNP	Normally-open (NO)	1000	10	30	5000	PUR	60	■	■	■	■
NBB2-12GM30-E2	Flush	2	3-wire	PNP	Normally-open (NO)	800	10	30	2000	PVC	30	■	■	■	■
NBB2-12GM40-E0	Flush	2	3-wire	NPN	Normally-open (NO)	1000	10	30	2000	PVC	40	■	■	■	■
NBB2-12GM40-E1	Flush	2	3-wire	NPN	Normally-closed (NC)	1000	10	30	2000	PVC	40	■	■	■	■
NBB2-12GM40-E2	Flush	2	3-wire	PNP	Normally-open (NO)	1000	10	30	2000	PVC	40	■	■	■	■
NBB2-12GM40-E3	Flush	2	3-wire	PNP	Normally-closed (NC)	1000	10	30	2000	PVC	40	■	■	■	■
NBB2-12GM40-Z0	Flush	2	2-wire	2-wire	Normally-open (NO)	1000	5	60	2000	PVC	40	■	■	■	■
NBB2-12GM50-E0	Flush	2	3-wire	NPN	Normally-open (NO)	1500	10	30	2000	PVC	50	■	■	■	■
NBB2-12GM50-E0-5M	Flush	2	3-wire	NPN	Normally-open (NO)	1500	10	30	5000	PVC	50	■	■	■	■
NBB2-12GM50-E1	Flush	2	3-wire	NPN	Normally-closed (NC)	1500	10	30	2000	PVC	50	■	■	■	■
NBB2-12GM50-E2	Flush	2	3-wire	PNP	Normally-open (NO)	1500	10	30	2000	PVC	50	■	■	■	■
NBB2-12GM50-E2-2M PUR	Flush	2	3-wire	PNP	Normally-open (NO)	1500	10	30	2000	PUR	50	■	■	■	■
NBB2-12GM50-E2-5M	Flush	2	3-wire	PNP	Normally-open (NO)	1500	10	30	5000	PVC	50	■	■	■	■
NBB2-12GM50-E3	Flush	2	3-wire	PNP	Normally-closed (NC)	1500	10	30	2000	PVC	50	■	■	■	■
NBB2-12GM60-A0	Flush	2	4-wire	NPN	Complementary	1000	10	30	2000	PVC	60	■	■	■	■
NBB2-12GM60-A2	Flush	2	4-wire	PNP	Complementary	1000	10	30	2000	PVC	60	■	■	■	■
NBB2-12GS40-Z4L	Flush	2	2-wire	2-wire	Normally-open (NO)	700	3.7	30	2000	PVC	40	■	■	■	■
NCB2-12GM40-Z0	Flush	2	2-wire	2-wire	Normally-open (NO)	800	5	60	2000	PUR	40	■	■	■	■
NCB2-12GM40-Z1	Flush	2	2-wire	2-wire	Normally-closed (NC)	800	5	60	2000	PUR	40	■	■	■	■
NJ2-12GM40-E	Flush	2	3-wire	NPN	Normally-open (NO)	3000	10	60	2000	PUR	40	■	■	■	■
NJ2-12GM40-E2	Flush	2	3-wire	PNP	Normally-open (NO)	3000	10	60	2000	PUR	40	■	■	■	■
NJ2-12GM40-E2-10M	Flush	2	3-wire	PNP	Normally-open (NO)	3000	10	60	10000	PUR	40	■	■	■	■
NJ2-12GM40-E2-5M	Flush	2	3-wire	PNP	Normally-open (NO)	3000	10	60	5000	PUR	40	■	■	■	■
NJ2-12GM40-E3	Flush	2	3-wire	PNP	Normally-closed (NC)	3000	10	60	2000	PUR	40	■	■	■	■
NCB4-12GM35-Z4	Flush	4	2-wire	2-wire	Normally-open (NO)	1000	3.5	30	2000	PVC	35	■	■	■	■
NCB4-12GM35-Z5	Flush	4	2-wire	2-wire	Normally-closed (NC)	1000	3.5	30	2000	PVC	35	■	■	■	■
NBB4-12GM30-E0	Flush	4	3-wire	NPN	Normally-open (NO)	500	10	30	2000	PUR	35	■	■	■	■
NBB4-12GM30-E2	Flush	4	3-wire	PNP	Normally-open (NO)	500	10	30	2000	PVC	30	■	■	■	■
NBB4-12GM30-E2-5M	Flush	4	3-wire	PNP	Normally-open (NO)	500	10	30	5000	PVC	30	■	■	■	■
NBB4-12GM30-E3	Flush	4	3-wire	PNP	Normally-closed (NC)	500	10	30	2000	PVC	30	■	■	■	■
NBB4-12GM35-A0	Flush	4	4-wire	NPN	Complementary	2500	10	30	2000	PVC	35	■	■	■	■
NBB4-12GM35-A2	Flush	4	4-wire	PNP	Complementary	2500	10	30	2000	PVC	35	■	■	■	■
NBB4-12GM40-E0	Flush	4	3-wire	NPN	Normally-open (NO)	800	10	30	2000	PVC	40	■	■	■	■
NBB4-12GM50-A0	Flush	4	4-wire	NPN	Complementary	1500	10	30	2000	PVC	50	■	■	■	■
NBB4-12GM50-A2	Flush	4	4-wire	PNP	Complementary	1500	10	30	2000	PVC	50	■	■	■	■

Model number	Type of installation	Detection range [mm]	Output type	Output type	Switching function	Switching frequency [Hz]	UB (min)	UB (max)	Cable length [mm]	Cable material	Length L	CCC	CSA	EAC	UL
NBB4-12GM50-E0	Flush	4	3-wire	NPN	Normally-open (NO)	800	10	30	2000	PVC	50				
NBB4-12GM50-E1	Flush	4	3-wire	NPN	Normally-closed (NC)	800	10	30	2000	PVC	50				
NBB4-12GM50-E3	Flush	4	3-wire	PNP	Normally-closed (NC)	800	10	30	2000	PVC	50				
NEB6-12GM50-E0	Semi-flush	6	3-wire	NPN	Normally-open (NO)	800	10	30	2000	PUR	50				
NEB6-12GM50-E1	Semi-flush	6	3-wire	NPN	Normally-closed (NC)	800	10	30	2000	PUR	50				
NEB6-12GM50-E2	Semi-flush	6	3-wire	PNP	Normally-open (NO)	800	10	30	2000	PUR	50				
NEB6-12GM50-E3	Semi-flush	6	3-wire	PNP	Normally-closed (NC)	800	10	30	2000	PUR	50				
NBN4-12GK50-E0	Non-flush	4	3-wire	NPN	Normally-open (NO)	1200	10	30	2000	PVC	50				
NBN4-12GK50-E2	Non-flush	4	3-wire	PNP	Normally-open (NO)	1200	10	30	2000	PVC	50				
NBN4-12GM40-E0	Non-flush	4	3-wire	NPN	Normally-open (NO)	800	10	30	2000	PVC	40				
NBN4-12GM40-E2	Non-flush	4	3-wire	PNP	Normally-open (NO)	800	10	30	2000	PVC	40				
NBN4-12GM40-Z0	Non-flush	4	2-wire	2-wire	Normally-open (NO)	700	5	60	2000	PVC	40				
NBN4-12GM50-E0	Non-flush	4	3-wire	NPN	Normally-open (NO)	1200	10	30	2000	PVC	50				
NBN4-12GM50-E1	Non-flush	4	3-wire	NPN	Normally-closed (NC)	1200	10	30	2000	PVC	50				
NBN4-12GM50-E2	Non-flush	4	3-wire	PNP	Normally-open (NO)	1200	10	30	2000	PVC	50				
NBN4-12GM50-E2-5M	Non-flush	4	3-wire	PNP	Normally-open (NO)	1200	10	30	5000	PVC	50				
NBN4-12GM50-E3	Non-flush	4	3-wire	PNP	Normally-closed (NC)	1200	10	30	2000	PVC	50				
NBN4-12GM60-A0	Non-flush	4	4-wire	NPN	Complementary	1000	10	30	2000	PVC	60				
NBN4-12GM60-A2	Non-flush	4	4-wire	PNP	Complementary	1000	10	30	2000	PVC	60				
NBN4-12GS40-Z4L	Non-flush	4	2-wire	2-wire	Normally-open (NO)	700	3.7	30	2000	PVC	40				
NCN4-12GM40-Z0	Non-flush	4	2-wire	2-wire	Normally-open (NO)	800	5	60	2000	PUR	40				
NCN4-12GM40-Z0-10M	Non-flush	4	2-wire	2-wire	Normally-open (NO)	800	5	60	10000	PUR	40				
NCN4-12GM40-Z1	Non-flush	4	2-wire	2-wire	Normally-closed (NC)	800	5	60	2000	PUR	40				
NJ4-12GM40-E	Non-flush	4	3-wire	NPN	Normally-open (NO)	2000	10	60	2000	PUR	40				
NJ4-12GM40-E2	Non-flush	4	3-wire	PNP	Normally-open (NO)	2000	10	60	2000	PUR	40				
NJ4-12GM40-E2-10M	Non-flush	4	3-wire	PNP	Normally-open (NO)	2000	10	60	10000	PUR	40				
NJ4-12GM40-E2-5M	Non-flush	4	3-wire	PNP	Normally-open (NO)	2000	10	60	5000	PUR	40				
NJ4-12GM40-E3	Non-flush	4	3-wire	PNP	Normally-closed (NC)	2000	10	60	2000	PUR	40				
NBN7-12GM35-E2	Non-flush	7	3-wire	PNP	Normally-open (NO)	300	10	30	2000	PVC	35				
NBN8-12GM35-A0	Non-flush	8	4-wire	NPN	Complementary	2000	10	30	2000	PVC	35				
NBN8-12GM35-A2	Non-flush	8	4-wire	PNP	Complementary	2000	10	30	2000	PVC	35				
NBN8-12GM50-A0	Non-flush	8	4-wire	NPN	Complementary	1500	10	30	2000	PVC	50				
NBN8-12GM50-A2	Non-flush	8	4-wire	PNP	Complementary	1500	10	30	2000	PVC	50				
NBN8-12GM50-E0	Non-flush	8	3-wire	NPN	Normally-open (NO)	1500	10	30	2000	PVC	50				
NBN8-12GM50-E2	Non-flush	8	3-wire	PNP	Normally-open (NO)	1500	10	30	2000	PVC	50				
NCN8-12GM35-Z4	Non-flush	8	2-wire	2-wire	Normally-open (NO)	750	3.5	30	2000	PVC	35				
NCN8-12GM35-Z5	Non-flush	8	2-wire	2-wire	Normally-closed (NC)	750	3.5	30	2000	PVC	35				
NEN10-12GM50-E0	Non-flush	10	3-wire	NPN	Normally-open (NO)	600	10	30	2000	PUR	50				
NEN10-12GM50-E1	Non-flush	10	3-wire	NPN	Normally-closed (NC)	600	10	30	2000	PUR	50				
NEN10-12GM50-E2	Non-flush	10	3-wire	PNP	Normally-open (NO)	600	10	30	2000	PUR	50				
NEN10-12GM50-E3	Non-flush	10	3-wire	PNP	Normally-closed (NC)	600	10	30	2000	PUR	50				

Accessories

BF 12	Mounting adapter, 12 mm
EXG-12	Quick-mounting bracket with fixed stop



M12 Series – 250 V Version



Standard Technical Data

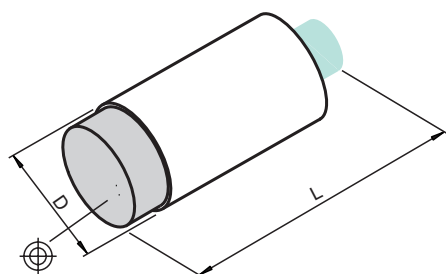
Output type	2-wire
Output type	2-wire
Operating voltage (min)	20 V
Housing diameter D	12 mm
CCC	■
CSA	■
UL	■

For detailed data and description, see the datasheet. Further products can be found online at www.pepperl-fuchs.com.

Model number	Type of installation	Detection range [mm]	Switching function	Voltage type	Switching frequency [Hz]	UB (max)	Connection type	Cable length [mm]	Cable material	Length L
NBB4-12GM65-US-V11B	Flush	4	Normally-open (NO)	AC/DC	30	300	M12 connector plug			82
NBB4-12GM65-US-V12	Flush	4	Normally-open (NO)	AC/DC	30	300	1/2 inch connector plug			82
NBN8-12GM65-US-V12	Non-flush	8	Normally-open (NO)	AC/DC	30	300	1/2 inch connector plug			82
NBN8-12GM75-US	Non-flush	8	Normally-open (NO)	AC/DC	30	300	Fixed cable	2000	PUR	75
NJ2-12GM50-WO	Flush	2	Normally-closed (NC)	AC	20	253	Fixed cable	2000	PVC	50
NJ2-12GM50-WO-V13	Flush	2	Normally-closed (NC)	AC	20	253	M12 connector plug			60
NJ2-12GM50-WS	Flush	2	Normally-open (NO)	AC	20	253	Fixed cable	2000	PVC	50
NJ2-12GM50-WS-5M	Flush	2	Normally-open (NO)	AC	20	253	Fixed cable	5000	PVC	50
NJ2-12GM50-WS-V11	Flush	2	Normally-open (NO)	AC	20	253	M12 connector plug			50
NJ2-12GM50-WS-V12	Flush	2	Normally-open (NO)	AC	20	253	1/2 inch connector plug			50
NJ2-12GM50-WS-V13	Flush	2	Normally-open (NO)	AC	20	253	M12 connector plug			60
NJ4-12GM50-WO	Non-flush	4	Normally-closed (NC)	AC	20	253	Fixed cable	2000	PVC	50
NJ4-12GM50-WO-V13	Non-flush	4	Normally-closed (NC)	AC	20	253	M12 connector plug			60
NJ4-12GM50-WS	Non-flush	4	Normally-open (NO)	AC	20	253	Fixed cable	2000	PVC	50
NJ4-12GM50-WS-10M	Non-flush	4	Normally-open (NO)	AC	20	253	Fixed cable	10000	PVC	50
NJ4-12GM50-WS-V11	Non-flush	4	Normally-open (NO)	AC	20	253	M12 connector plug			50
NJ4-12GM50-WS-V12	Non-flush	4	Normally-open (NO)	AC	20	253	1/2 inch connector plug			50
NJ4-12GM50-WS-V13	Non-flush	4	Normally-open (NO)	AC	20	253	M12 connector plug			60

Accessories

BF 12	Mounting adapter, 12 mm
EXG-12	Quick-mounting bracket with fixed stop
V11-G-2M-PUR	Single-ended female cordset, M12, 3-pin, PUR cable
V12-G-YE2M-PVC	Cordset, 1/2"-20 UNF, 3-pin, PVC cable
V13-G-5M-PUR	Single-ended female cordset, M12, 3-pin, PUR cable





PEPPERL+FUCHS
Made in Germany
NRN30-30GM50-ES-V1
Part No. 206810
10-50V DC / 200µF
CE

PEPPERL+FUCHS
Made in Germany
NRN30-30GM50-ES-V1
Part No. 206810
10-50V DC / 200µF
CE

M18 Series – With Plug Connection



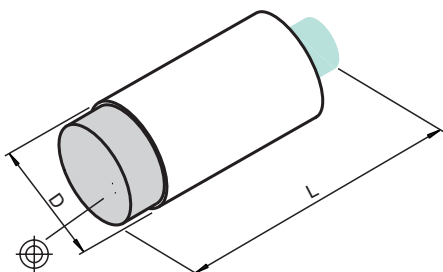
Standard Technical Data

Voltage type	DC
Connection type	M12 connector plug
Housing diameter D	18 mm

For detailed data and description, see the datasheet. Further products can be found online at www.pepperl-fuchs.com.

Model number	Type of installation	Detection range [mm]	Output type	Output type	Switching function	Switching frequency [Hz]	UB (min)	UB (max)	Length L	CCC	CSA	EAC	UL
NBB5-18GM20-E2-V1	Flush	5	3-wire	PNP	Normally-open (NO)	1000	10	30	20	■			■
NBB5-18GH40-E2-V1	Flush	5	3-wire	PNP	Normally-open (NO)	1000	10	30	39				
NBB5-18GM40-E2-V1	Flush	5	3-wire	PNP	Normally-open (NO)	1000	10	30	39	■			■
NBB5-18GM40-Z0-V1	Flush	5	2-wire	2-wire	Normally-open (NO)	500	5	60	40	■	■		■
NBB5-18GM40-Z3-V1	Flush	5	2-wire	2-wire	Normally-open (NO)	500	5	60	40	■	■		■
NBB5-18GM50-E0-V1	Flush	5	3-wire	NPN	Normally-open (NO)	800	10	30	50		■		■
NBB5-18GM50-E2-V1	Flush	5	3-wire	PNP	Normally-open (NO)	800	10	30	50		■	■	■
NBB5-18GM50-E3-V1	Flush	5	3-wire	PNP	Normally-closed (NC)	800	10	30	50				■
NBB5-18GM60-A0-V1	Flush	5	4-wire	NPN	Complementary	800	10	30	60		■		■
NBB5-18GM60-A2-V1	Flush	5	4-wire	PNP	Complementary	800	10	30	60		■		■
NBB5-18GM60-I-V1	Flush	5	3-wire	Analog current output	4 mA ... 20 mA		10	30	75				■
NBB5-18GM60-I3-V1	Flush	5	3-wire	Analog current output	0 mA ... 20 mA		10	30	75				■
NBB5-18GM70-E2-V1	Flush	5	3-wire	PNP	Normally-open (NO)	800	10	30	70		■		■
NCB5-18GM40-Z0-V1	Flush	5	2-wire	2-wire	Normally-open (NO)	350	5	60	40	■	■		■
NCB5-18GM40-Z1-V1	Flush	5	2-wire	2-wire	Normally-closed (NC)	350	5	60	40	■	■		■
NCB5-18GM40-Z3-V1	Flush	5	2-wire	2-wire	Normally-open (NO)	350	5	60	55	■	■		■
NCB5-18GM60-B3B-V1	Flush	5	2-wire	AS-Interface	Normally open/close selectable	100	26.5	31.9	70		■		■
NJ5-18GM50-A2-V1	Flush	5	4-wire	PNP	Complementary	500	10	60	50	■	■		■
NJ5-18GM50-E-V1	Flush	5	3-wire	NPN	Normally-open (NO)	1500	10	60	65	■	■		■
NJ5-18GM50-E2-V1	Flush	5	3-wire	PNP	Normally-open (NO)	1500	10	60	65	■	■		■
NJ5-18GM50-E3-V1	Flush	5	3-wire	PNP	Normally-closed (NC)	1500	10	60	65	■	■		■
NBB8-18GM30-E2-V1	Flush	8	3-wire	PNP	Normally-open (NO)	500	10	30	30		■		■
NBB8-18GM30-E3-V1	Flush	8	3-wire	PNP	Normally-closed (NC)	500	10	30	30		■		■
NBB8-18GM35-A0-V1	Flush	8	4-wire	NPN	Complementary	1500	10	30	51				■
NBB8-18GM35-A2-V1	Flush	8	4-wire	PNP	Complementary	1500	10	30	51				■
NBB8-18GM50-E0-V1	Flush	8	3-wire	NPN	Normally-open (NO)	500	10	30	50		■		■
NBB8-18GM50-E2-V1	Flush	8	3-wire	PNP	Normally-open (NO)	500	10	30	50		■	■	■
NBB8-18GM60-A0-V1	Flush	8	4-wire	NPN	Complementary	500	10	30	60		■		■
NBB8-18GM60-A2-V1	Flush	8	4-wire	PNP	Complementary	500	10	30	60		■	■	■
NBB8-18GM60-B3-V1	Flush	8	2-wire	AS-Interface	Normally open/close selectable	200	26.5	31.9	75		■		■
NBB8-18GM60-B3B-V1	Flush	8	2-wire	AS-Interface	Normally open/close selectable	200	26.5	31.9	75		■		■
NCB8-18GM50-E2-V1	Flush	8	3-wire	PNP	Normally-open (NO)	500	10	30	50		■		■
NCB8-18GM50-Z4-V1	Flush	8	2-wire	2-wire	Normally-open (NO)	1000	3.5	30	65		■		■
NCB8-18GM50-Z5-V1	Flush	8	2-wire	2-wire	Normally-closed (NC)	1000	3.5	30	60		■		■
NCB8-18GM50-Z7-V1	Flush	8	2-wire	2-wire	Normally-closed (NC)	1000	3.5	30	60		■		■
NEB12-18GM50-E0-V1	Semi-flush	12	3-wire	NPN	Normally-open (NO)	500	10	30	69		■	■	■
NEB12-18GM50-E1-V1	Semi-flush	12	3-wire	NPN	Normally-closed (NC)	500	10	30	69		■	■	■
NEB12-18GM50-E2-V1	Semi-flush	12	3-wire	PNP	Normally-open (NO)	500	10	30	69		■	■	■

Model number	Type of installation	Detection range [mm]	Output type	Output type	Switching function	Switching frequency [Hz]	UB (min)	UB (max)	Length L	CCC	CSA	EAC	UL
NEB12-18GM50-E3-V1	Semi-flush	12	3-wire	PNP	Normally-closed (NC)	500	10	30	69	■	■	■	■
NBN8-18GM40-E3-V1	Non-flush	8	3-wire	PNP	Normally-closed (NC)	1000	10	30	40	■	■	■	■
NBN8-18GM40-Z0-V1	Non-flush	8	2-wire	2-wire	Normally-open (NO)	450	5	60	40	■	■	■	■
NBN8-18GM40-Z3-V1	Non-flush	8	2-wire	2-wire	Normally-open (NO)	450	5	60	40	■	■	■	■
NBN8-18GM50-E0-V1	Non-flush	8	3-wire	NPN	Normally-open (NO)	500	10	30	50	■	■	■	■
NBN8-18GM50-E2-V1	Non-flush	8	3-wire	PNP	Normally-open (NO)	500	10	30	65	■	■	■	■
NBN8-18GM60-A0-V1	Non-flush	8	4-wire	NPN	Complementary	700	10	30	60	■	■	■	■
NBN8-18GM60-A2-V1	Non-flush	8	4-wire	PNP	Complementary	700	10	30	60	■	■	■	■
NCN8-18GM40-Z0-V1	Non-flush	8	2-wire	2-wire	Normally-open (NO)	300	5	60	40	■	■	■	■
NCN8-18GM40-Z1-V1	Non-flush	8	2-wire	2-wire	Normally-closed (NC)	300	5	60	40	■	■	■	■
NCN8-18GM60-B3B-V1	Non-flush	8	2-wire	AS-Interface	Normally open/close selectable	100	26.5	31.9	60	■	■	■	■
NJ8-18GM50-A2-V1	Non-flush	8	4-wire	PNP	Complementary	500	10	60	65	■	■	■	■
NJ8-18GM50-E-V1	Non-flush	8	3-wire	NPN	Normally-open (NO)	1000	10	60	65	■	■	■	■
NJ8-18GM50-E2-V1	Non-flush	8	3-wire	PNP	Normally-open (NO)	1000	10	60	65	■	■	■	■
NJ8-18GM50-E3-V1	Non-flush	8	3-wire	PNP	Normally-closed (NC)	1000	10	60	65	■	■	■	■
NBN12-18GM35-A0-V1	Non-flush	12	4-wire	NPN	Complementary	1500	10	30	51	■	■	■	■
NBN12-18GM35-A2-V1	Non-flush	12	4-wire	PNP	Complementary	1500	10	30	51	■	■	■	■
NBN12-18GM35-E2-V1	Non-flush	12	3-wire	PNP	Normally-open (NO)	300	10	30	50	■	■	■	■
NBN12-18GM50-A0-V1	Non-flush	12	4-wire	NPN	Complementary	1000	10	30	65	■	■	■	■
NBN12-18GM50-A2-V1	Non-flush	12	4-wire	PNP	Complementary	1000	10	30	65	■	■	■	■
NBN12-18GM50-E0-V1	Non-flush	12	3-wire	NPN	Normally-open (NO)	200	10	30	50	■	■	■	■
NBN12-18GM50-E2-V1	Non-flush	12	3-wire	PNP	Normally-open (NO)	200	10	30	50	■	■	■	■
NCN12-18GM50-Z4-V1	Non-flush	12	2-wire	2-wire	Normally-open (NO)	1000	3.5	30	60	■	■	■	■
NCN12-18GM50-Z5-V1	Non-flush	12	2-wire	2-wire	Normally-closed (NC)	1000	3.5	30	60	■	■	■	■
NCN12-18GM50-Z7-V1	Non-flush	12	2-wire	2-wire	Normally-closed (NC)	1000	3.5	30	60	■	■	■	■
NEN20-18GM50-E0-V1	Non-flush	20	3-wire	NPN	Normally-open (NO)	200	10	30	69	■	■	■	■
NEN20-18GM50-E1-V1	Non-flush	20	3-wire	NPN	Normally-closed (NC)	200	10	30	69	■	■	■	■
NEN20-18GM50-E2-V1	Non-flush	20	3-wire	PNP	Normally-open (NO)	200	10	30	69	■	■	■	■
NEN20-18GM50-E3-V1	Non-flush	20	3-wire	PNP	Normally-closed (NC)	200	10	30	69	■	■	■	■

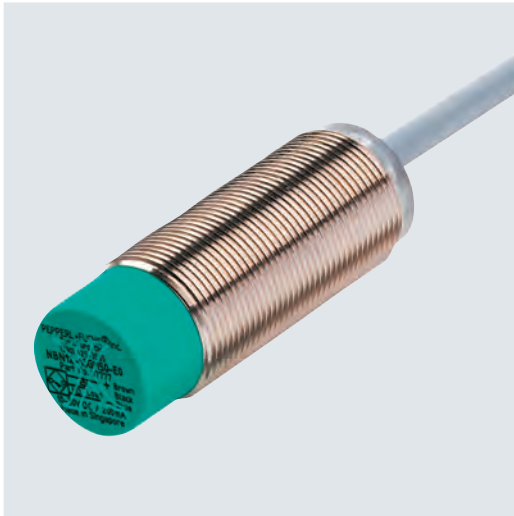


Accessories

BF 18	Mounting adapter, 18 mm
BF 18-F	Plastic mounting adapter, 18 mm
EXG-18	Quick-mounting bracket with fixed stop
V1-G-2M-PUR	Single-ended female cordset, M12, 4-pin, PUR cable
V1-G-BK0,3M-PUR-U-V1-G	Cordset, M12 to M12, PUR cable, 4-pin
V1-G-BK1M-PUR-U-V1-G	Cordset, M12 to M12, PUR cable, 4-pin
V1-W-2M-PUR	Single-ended female cordset, M12, 4-pin, PUR cable



M18 Series – With Cable Connection



Standard Technical Data	
Voltage type	DC
Connection type	Fixed cable
Housing diameter D	18 mm
UL	■

For detailed data and description, see the datasheet. Further products can be found online at www.pepperl-fuchs.com.

Model number	Type of installation	Detection range [mm]	Output type	Output type	Switching function	Switching frequency [Hz]	UB (min)	UB (max)	Cable length [mm]	Cable material	Length L	CCC	CSA	EAC	UL	E1
NBB5-18GK50-E0	Flush	5	3-wire	NPN	Normally-open (NO)	1000	10	30	2000	PVC	50	■	■			
NBB5-18GK50-E2	Flush	5	3-wire	PNP	Normally-open (NO)	1000	10	30	2000	PVC	50	■	■			
NBB5-18GM20-E2	Flush	5	3-wire	PNP	Normally-open (NO)	1000	10	30	2000	PVC	20	■	■			
NBB5-18GM40-E1	Flush	5	3-wire	NPN	Normally-closed (NC)	1000	10	30	2000	PVC	40	■	■			
NBB5-18GM40-E2	Flush	5	3-wire	PNP	Normally-open (NO)	1000	10	30	2000	PVC	40	■	■			
NBB5-18GM40-E2-5M	Flush	5	3-wire	PNP	Normally-open (NO)	1000	10	30	5000	PVC	40	■	■			
NBB5-18GM40-Z0	Flush	5	2-wire	2-wire	Normally-open (NO)	500	5	60	2000	PVC	40	■	■			
NBB5-18GM50-E0	Flush	5	3-wire	NPN	Normally-open (NO)	800	10	30	2000	PVC	50	■	■			
NBB5-18GM50-E0-5M	Flush	5	3-wire	NPN	Normally-open (NO)	800	10	30	5000	PVC	50					■
NBB5-18GM50-E2	Flush	5	3-wire	PNP	Normally-open (NO)	800	10	30	2000	PVC	50	■	■	■	■	
NBB5-18GM50-E2-10M	Flush	5	3-wire	PNP	Normally-open (NO)	800	10	30	10000	PVC	50					■
NBB5-18GM50-E2-5M	Flush	5	3-wire	PNP	Normally-open (NO)	800	10	30	5000	PVC	50	■	■		■	
NBB5-18GM50-E3	Flush	5	3-wire	PNP	Normally-closed (NC)	800	10	30	2000	PVC	50	■	■		■	
NBB5-18GM60-A0	Flush	5	4-wire	NPN	Complementary	800	10	30	2000	PVC	60	■	■		■	
NBB5-18GM60-A0-5M	Flush	5	4-wire	NPN	Complementary	800	10	30	5000	PVC	60	■	■		■	
NBB5-18GM60-A2	Flush	5	4-wire	PNP	Complementary	800	10	30	2000	PVC	60	■	■		■	
NBB5-18GM60-A2-5M	Flush	5	4-wire	PNP	Complementary	800	10	30	5000	PVC	60	■	■		■	
NBB5-18GM60-I	Flush	5	3-wire	Analog current output	4 mA ... 20 mA		10	30	2000	PVC	60				■	
NBB5-18GM60-I3	Flush	5	3-wire	Analog current output	0 mA ... 20 mA		10	30	2000	PVC	60				■	
NCB5-18GM40-Z0	Flush	5	2-wire	2-wire	Normally-open (NO)	350	5	60	2000	PUR	40	■	■		■	
NCB5-18GM40-Z0-10M	Flush	5	2-wire	2-wire	Normally-open (NO)	350	5	60	10000	PUR	40	■	■		■	
NCB5-18GM40-Z1	Flush	5	2-wire	2-wire	Normally-closed (NC)	350	5	60	2000	PUR	40	■	■		■	
NJ5-18GK50-A2	Flush	5	3-wire	PNP	Complementary	500	10	60	2000	PVC	50	■	■		■	
NJ5-18GM50-A2	Flush	5	4-wire	PNP	Complementary	500	10	60	2000	PVC	50	■	■		■	
NJ5-18GM50-E	Flush	5	3-wire	NPN	Normally-open (NO)	1500	10	60	2000	PVC	50	■	■		■	
NJ5-18GM50-E2	Flush	5	3-wire	PNP	Normally-open (NO)	1500	10	60	2000	PVC	50	■	■		■	
NJ5-18GM50-E2-10M	Flush	5	3-wire	PNP	Normally-open (NO)	1500	10	60	10000	PVC	50	■	■		■	
NJ5-18GM50-E2-5M	Flush	5	3-wire	PNP	Normally-open (NO)	1500	10	60	5000	PVC	50	■	■		■	
NJ5-18GM50-E3	Flush	5	3-wire	PNP	Normally-closed (NC)	1500	10	60	2000	PVC	50	■	■		■	
NBB8-18GM30-E2	Flush	8	3-wire	PNP	Normally-open (NO)	500	10	30	2000	PVC	30	■	■		■	
NBB8-18GM30-E3	Flush	8	3-wire	PNP	Normally-closed (NC)	500	10	30	2000	PVC	30	■	■		■	
NBB8-18GM35-A0	Flush	8	4-wire	NPN	Complementary	1500	10	30	2000	PVC	35				■	
NBB8-18GM35-A2	Flush	8	4-wire	PNP	Complementary	1500	10	30	2000	PVC	35				■	
NBB8-18GM50-E0	Flush	8	3-wire	NPN	Normally-open (NO)	500	10	30	2000	PVC	50	■	■		■	
NBB8-18GM50-E2	Flush	8	3-wire	PNP	Normally-open (NO)	500	10	30	2000	PVC	50	■	■		■	
NBB8-18GM50-E2-5M	Flush	8	3-wire	PNP	Normally-open (NO)	500	10	30	5000	PVC	50	■	■	■	■	
NBB8-18GM50-E2-6M	Flush	8	3-wire	PNP	Normally-open (NO)	500	10	30	6000	PVC	50	■	■		■	
NBB8-18GM60-A0	Flush	8	4-wire	NPN	Complementary	500	10	30	2000	PVC	60	■	■		■	

Model number	Type of installation	Detection range [mm]	Output type	Output type	Switching function	Switching frequency [Hz]	UB (min)	UB (max)	Cable length [mm]	Cable material	Length L	CCC	CSA	EAC	UL	E1
NBB8-18GM60-A2	Flush	8	4-wire	PNP	Complementary	500	10	30	2000	PVC	60					
NCB8-18GM50-Z4	Flush	8	2-wire	2-wire	Normally-open (NO)	1000	3.5	30	2000	PVC	48					
NCB8-18GM50-Z5	Flush	8	2-wire	2-wire	Normally-closed (NC)	1000	3.5	30	2000	PVC	48					
NEB12-18GM50-E0	Semi-flush	12	3-wire	NPN	Normally-open (NO)	500	10	30	2000	PUR	53					
NEB12-18GM50-E1	Semi-flush	12	3-wire	NPN	Normally-closed (NC)	500	10	30	2000	PUR	53					
NEB12-18GM50-E2	Semi-flush	12	3-wire	PNP	Normally-open (NO)	500	10	30	2000	PUR	53					
NEB12-18GM50-E3	Semi-flush	12	3-wire	PNP	Normally-closed (NC)	500	10	30	2000	PUR	53					
NBN8-18GK50-A2	Non-flush	8	4-wire	PNP	Complementary	500	10	30	2000	PVC	50					
NBN8-18GM40-Z0	Non-flush	8	2-wire	2-wire	Normally-open (NO)	500	5	60	2000	PVC	40					
NBN8-18GM50-E0	Non-flush	8	3-wire	NPN	Normally-open (NO)	500	10	30	2000	PVC	50					
NBN8-18GM50-E2	Non-flush	8	3-wire	PNP	Normally-open (NO)	500	10	30	2000	PVC	50					
NBN8-18GM50-E2-5M	Non-flush	8	3-wire	PNP	Normally-open (NO)	500	10	30	5000	PVC	50					
NBN8-18GM60-A0	Non-flush	8	4-wire	NPN	Complementary	700	10	30	2000	PVC	60					
NBN8-18GM60-A2	Non-flush	8	4-wire	PNP	Complementary	700	10	30	2000	PVC	60					
NCN8-18GM40-Z0	Non-flush	8	2-wire	2-wire	Normally-open (NO)	300	5	60	2000	PUR	40					
NCN8-18GM40-Z1	Non-flush	8	2-wire	2-wire	Normally-closed (NC)	300	5	60	2000	PUR	40					
NJ8-18GK50-A2	Non-flush	8	4-wire	PNP	Complementary	500	10	60	2000	PVC	50					
NJ8-18GM50-A2	Non-flush	8	4-wire	PNP	Complementary	500	10	60	2000	PVC	50					
NJ8-18GM50-E0	Non-flush	8	3-wire	NPN	Normally-open (NO)	1000	10	60	2000	PVC	50					
NJ8-18GM50-E2	Non-flush	8	3-wire	PNP	Normally-open (NO)	1000	10	60	2000	PVC	50					
NJ8-18GM50-E2-10M	Non-flush	8	3-wire	PNP	Normally-open (NO)	1000	10	60	10000	PVC	50					
NJ8-18GM50-E2-5M	Non-flush	8	3-wire	PNP	Normally-open (NO)	1000	10	60	5000	PVC	50					
NJ8-18GM50-E3	Non-flush	8	3-wire	PNP	Normally-closed (NC)	1000	10	60	2000	PVC	50					
NBN12-18GM35-A0	Non-flush	12	4-wire	NPN	Complementary	1500	10	30	2000	PVC	35					
NBN12-18GM35-A2	Non-flush	12	4-wire	PNP	Complementary	1500	10	30	2000	PVC	35					
NBN12-18GM35-E2	Non-flush	12	3-wire	PNP	Normally-open (NO)	300	10	30	2000	PVC	50					
NBN12-18GM35-E3	Non-flush	12	3-wire	PNP	Normally-closed (NC)	300	10	30	2000	PVC	35					
NBN12-18GM35-E3-5M	Non-flush	12	3-wire	PNP	Normally-closed (NC)	300	10	30	5000	PVC	35					
NBN12-18GK50-E0-M	Non-flush	12	3-wire	NPN	Normally-open (NO)	1500	5	60	2000	PUR	58					
NBN12-18GK50-E1-M	Non-flush	12	3-wire	NPN	Normally-closed (NC)	1500	5	60	2000	PUR	58					
NBN12-18GK50-E2-M	Non-flush	12	3-wire	PNP	Normally-open (NO)	1500	5	60	2000	PUR	58					
NBN12-18GK50-E3-M	Non-flush	12	3-wire	PNP	Normally-closed (NC)	1500	5	60	2000	PUR	58					
NBN12-18GM50-A0	Non-flush	12	4-wire	NPN	Complementary	1000	10	30	2000	PVC	50					
NBN12-18GM50-A2	Non-flush	12	4-wire	PNP	Complementary	1000	10	30	2000	PVC	50					
NBN12-18GM50-E0	Non-flush	12	3-wire	NPN	Normally-open (NO)	200	10	30	2000	PVC	50					
NBN12-18GM50-E0-10M	Non-flush	12	3-wire	NPN	Normally-open (NO)	200	10	30	10000	PVC	50					
NBN12-18GM50-E2	Non-flush	12	3-wire	PNP	Normally-open (NO)	200	10	30	2000	PVC	50					
NCN12-18GM50-Z4	Non-flush	12	2-wire	2-wire	Normally-open (NO)	1000	3.5	30	2000	PVC	48					
NCN12-18GM50-Z5	Non-flush	12	2-wire	2-wire	Normally-closed (NC)	1000	3.5	30	2000	PVC	48					
NEN20-18GM50-E0	Non-flush	20	3-wire	NPN	Normally-open (NO)	200	10	30	2000	PUR	53					
NEN20-18GM50-E1	Non-flush	20	3-wire	NPN	Normally-closed (NC)	200	10	30	2000	PUR	53					
NEN20-18GM50-E2	Non-flush	20	3-wire	PNP	Normally-open (NO)	200	10	30	2000	PUR	53					
NEN20-18GM50-E3	Non-flush	20	3-wire	PNP	Normally-closed (NC)	200	10	30	2000	PUR	53					

Accessories	
BF 18	Mounting adapter, 18 mm
BF 18-F	Plastic mounting adapter, 18 mm
EXG-18	Quick-mounting bracket with fixed stop

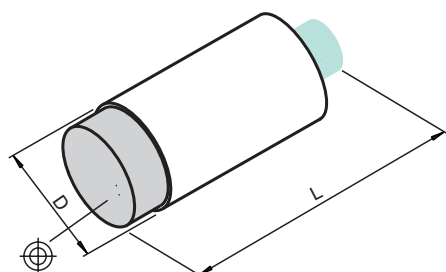
M18 Series – 250 V Version



Standard Technical Data	
Output type	2-wire
Operating voltage (min)	20 V
Housing diameter D	18 mm
UL	■

For detailed data and description, see the datasheet. Further products can be found online at www.pepperl-fuchs.com.

Model number	Type of installation	Detection range [mm]	Output type	Switching function	Voltage type	Switching frequency [Hz]	UB (max)	Connection type	Cable length [mm]	Cable material	Length L	CCC	CSA	UL
NBB5-18GM60-WO	Flush	5	2-wire	Normally-closed (NC)	AC	20	253	Fixed cable	2000	PVC	60	■	■	■
NBB5-18GM60-WO-V12	Flush	5	2-wire	Normally-closed (NC)	AC	20	253	1/2 inch connector plug			60	■	■	■
NBB5-18GM60-WS	Flush	5	2-wire	Normally-open (NO)	AC	20	253	Fixed cable	2000	PVC	60	■	■	■
NBB5-18GM60-WS-10M	Flush	5	2-wire	Normally-open (NO)	AC	20	253	Fixed cable	10000	PVC	60	■	■	■
NBB5-18GM60-WS-5M	Flush	5	2-wire	Normally-open (NO)	AC	20	253	Fixed cable	5000	PVC	60	■	■	■
NBB5-18GM60-WS-V11	Flush	5	2-wire	Normally-open (NO)	AC	20	253	M12 connector plug			60	■	■	■
NBB5-18GM60-WS-V12	Flush	5	2-wire	Normally-open (NO)	AC	20	253	1/2 inch connector plug			60	■	■	■
NBB5-18GM80-WO-V93	Flush	5	2-wire	Normally-closed (NC)	AC	20	253	7/8 inch connector plug			80	■	■	■
NBB5-18GM80-WS-V93	Flush	5	2-wire	Normally-open (NO)	AC	20	253	7/8 inch connector plug			80	■	■	■
NBB8-18GM55-UO-V93	Flush	8	3-wire	Normally-closed (NC)	AC/DC	30	300	7/8 inch connector plug			75	■	■	■
NBB8-18GM60-UO	Flush	8	3-wire	Normally-closed (NC)	AC/DC	30	300	Fixed cable	2000	PUR	63	■	■	■
NBB8-18GM60-UO-V12	Flush	8	3-wire	Normally-closed (NC)	AC/DC	30	300	1/2 inch connector plug			70	■	■	■
NBB8-18GM60-US	Flush	8	2-wire	Normally-open (NO)	AC/DC	30	300	Fixed cable	2000	PUR	63	■	■	■
NBB8-18GM60-US-10M	Flush	8	3-wire	Normally-open (NO)	AC/DC	30	300	Fixed cable	10000	PUR	63	■	■	■
NBB8-18GM60-US-V12	Flush	8	3-wire	Normally-open (NO)	AC/DC	30	300	1/2 inch connector plug			70	■	■	■
NBN8-18GM60-WO	Non-flush	8	2-wire	Normally-closed (NC)	AC	20	253	Fixed cable	2000	PVC	60	■	■	■
NBN8-18GM60-WO-V12	Non-flush	8	2-wire	Normally-closed (NC)	AC	20	253	1/2 inch connector plug			60	■	■	■
NBN8-18GM60-WS	Non-flush	8	2-wire	Normally-open (NO)	AC	20	253	Fixed cable	2000	PVC	60	■	■	■
NBN8-18GM60-WS-V11	Non-flush	8	2-wire	Normally-open (NO)	AC	20	253	M12 connector plug			60	■	■	■
NBN8-18GM60-WS-V12	Non-flush	8	2-wire	Normally-open (NO)	AC	20	253	1/2 inch connector plug			60	■	■	■
NBN8-18GM80-WO-V93	Non-flush	8	2-wire	Normally-closed (NC)	AC	20	253	7/8 inch connector plug			80	■	■	■
NBN8-18GM80-WS-V93	Non-flush	8	2-wire	Normally-open (NO)	AC	20	253	7/8 inch connector plug			80	■	■	■
NBN15-18GM55-UO-V93	Non-flush	15	3-wire	Normally-closed (NC)	AC/DC	30	300				75			■
NBN15-18GM55-US-V93	Non-flush	15	3-wire	Normally-open (NO)	AC/DC	30	300	7/8 inch connector plug			75	■	■	■
NBN15-18GM60-UO	Non-flush	15	3-wire	Normally-closed (NC)	AC/DC	30	300	Fixed cable	2000	PUR	63	■	■	■
NBN15-18GM60-UO-V12	Non-flush	15	3-wire	Normally-closed (NC)	AC/DC	30	300	1/2 inch connector plug			70	■	■	■
NBN15-18GM60-US	Non-flush	15	3-wire	Normally-open (NO)	AC/DC	30	300	Fixed cable	2000	PUR	63	■	■	■
NBN15-18GM60-US-V12	Non-flush	15	3-wire	Normally-open (NO)	AC/DC	30	300	1/2 inch connector plug			70	■	■	■



Accessories	
BF 18	Mounting adapter, 18 mm
EXG-18	Quick-mounting bracket with fixed stop
V11-G-2M-PUR	Single-ended female cordset, M12, 3-pin, PUR cable
V12-G-YE2M-PVC	Cordset, 1/2"-20 UNF, 3-pin, PVC cable
V93-G-YE2M-STOOW	Single-ended female cordset, 7/8", 3-pole, STOOW cable



M30 Series – With Plug Connection

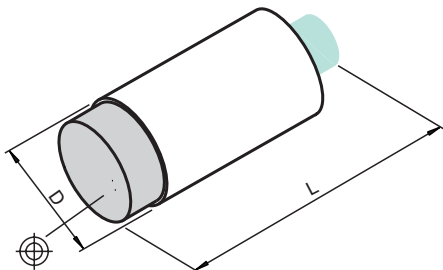


Standard Technical Data	
Voltage type	DC
Connection type	M12 connector plug
Housing diameter D	30 mm

For detailed data and description, see the datasheet. Further products can be found online at www.pepperl-fuchs.com.

Model number	Type of installation	Detection range [mm]	Output type	Output type	Switching function	Switching frequency [Hz]	UB (min)	UB (max)	Length L	CCC	CSA	EAC	UL
NBB10-30GM40-Z0-V1	Flush	10	2-wire	2-wire	Normally-open (NO)	150	5	60	40	■	■	■	■
NBB10-30GM40-Z3-V1	Flush	10	2-wire	2-wire	Normally-open (NO)	150	5	60	40	■	■	■	■
NBB10-30GM50-E0-V1	Flush	10	3-wire	NPN	Normally-open (NO)	200	10	30	50	■	■	■	■
NBB10-30GM50-E2-V1	Flush	10	3-wire	PNP	Normally-open (NO)	200	10	30	50	■	■	■	■
NBB10-30GM50-E3-V1	Flush	10	3-wire	PNP	Normally-closed (NC)	200	10	30	50	■	■	■	■
NBB10-30GM60-A0-V1	Flush	10	4-wire	NPN	Complementary	200	10	30	60	■	■	■	■
NBB10-30GM60-A2-V1	Flush	10	4-wire	PNP	Complementary	200	10	30	60	■	■	■	■
NCB10-30GM40-Z0-V1	Flush	10	2-wire	2-wire	Normally-open (NO)	150	5	60	40	■	■	■	■
NCB10-30GM40-Z1-V1	Flush	10	2-wire	2-wire	Normally-closed (NC)	150	5	60	40	■	■	■	■
NJ10-30GM50-A2-V1	Flush	10	4-wire	PNP	Complementary	300	10	60	50	■	■	■	■
NBB15-30GM30-E2-V1	Flush	15	3-wire	PNP	Normally-open (NO)	150	10	30	30	■	■	■	■
NBB15-30GM30-E3-V1	Flush	15	3-wire	PNP	Normally-closed (NC)	150	10	30	30	■	■	■	■
NBB15-30GM35-A0-V1	Flush	15	4-wire	NPN	Complementary	1000	10	30	51	■	■	■	■
NBB15-30GM35-A2-V1	Flush	15	4-wire	PNP	Complementary	1000	10	30	51	■	■	■	■
NBB15-30GM50-E0-V1	Flush	15	3-wire	NPN	Normally-open (NO)	200	10	30	50	■	■	■	■
NBB15-30GM50-E2-V1	Flush	15	3-wire	PNP	Normally-open (NO)	200	10	30	65	■	■	■	■
NBB15-30GM60-A0-V1	Flush	15	4-wire	NPN	Complementary	200	10	30	60	■	■	■	■
NBB15-30GM60-A2-V1	Flush	15	4-wire	PNP	Complementary	200	10	30	60	■	■	■	■
NBB15-30GM60-B3B-V1	Flush	15	2-wire	AS-Interface	Normally open/close selectable	200	26.5	31.9	65	■	■	■	■
NCB15-30GM50-Z4-V1	Flush	15	2-wire	2-wire	Normally-open (NO)	500	3.5	30	48	■	■	■	■
NCB15-30GM50-Z5-V1	Flush	15	2-wire	2-wire	Normally-closed (NC)	500	3.5	30	48	■	■	■	■
NCB15-30GM50-Z7-V1	Flush	15	2-wire	2-wire	Normally-closed (NC)	500	3.5	30	48	■	■	■	■
NEB22-30GM60-E0-V1	Semi-flush	22	3-wire	NPN	Normally-open (NO)	150	10	30	73.5	■	■	■	■
NEB22-30GM60-E2-V1	Semi-flush	22	3-wire	PNP	Normally-open (NO)	150	10	30	73.5	■	■	■	■
NEB22-30GM60-E3-V1	Semi-flush	22	3-wire	PNP	Normally-closed (NC)	150	10	30	73.5	■	■	■	■
NBN15-30GM40-Z0-V1	Non-flush	15	2-wire	2-wire	Normally-open (NO)	150	5	60	40	■	■	■	■
NBN15-30GM40-Z3-V1	Non-flush	15	2-wire	2-wire	Normally-open (NO)	150	5	60	40	■	■	■	■
NBN15-30GM50-E0-V1	Non-flush	15	3-wire	NPN	Normally-open (NO)	200	10	30	50	■	■	■	■
NBN15-30GM50-E2-V1	Non-flush	15	3-wire	PNP	Normally-open (NO)	200	10	30	50	■	■	■	■
NBN15-30GM60-A0-V1	Non-flush	15	4-wire	NPN	Complementary	200	10	30	60	■	■	■	■
NBN15-30GM60-A2-V1	Non-flush	15	4-wire	PNP	Complementary	200	10	30	60	■	■	■	■
NCN15-30GM40-Z0-V1	Non-flush	15	2-wire	2-wire	Normally-open (NO)	100	5	60	40	■	■	■	■
NCN15-30GM40-Z1-V1	Non-flush	15	2-wire	2-wire	Normally-closed (NC)	100	5	60	40	■	■	■	■
NJ15-30GM50-A2-V1	Non-flush	15	4-wire	PNP	Complementary	300	10	60	50	■	■	■	■
NBN20-30GM40-A0-V1	Non-flush	20	4-wire	NPN	Complementary	1000	10	30	56	■	■	■	■
NBN20-30GM40-A2-V1	Non-flush	20	4-wire	PNP	Complementary	1000	10	30	56	■	■	■	■
NBN22-30GM35-E2-V1	Non-flush	22	3-wire	PNP	Normally-open (NO)	80	10	30	50	■	■	■	■
NBN25-30GM50-E0-V1	Non-flush	25	3-wire	NPN	Normally-open (NO)	200	10	30	50	■	■	■	■

Model number	Type of installation	Detection range [mm]	Output type	Output type	Switching function	Switching frequency [Hz]	UB (min)	UB (max)	Length L	CCC	CSA	EAC	UL
NBN25-30GM50-E2-V1	Non-flush	25	3-wire	PNP	Normally-open (NO)	200	10	30	50				
NCN25-30GM50-Z4-V1	Non-flush	25	2-wire	2-wire	Normally-open (NO)	500	3.5	30	48				
NCN25-30GM50-Z5-V1	Non-flush	25	2-wire	2-wire	Normally-closed (NC)	500	3.5	30	48				
NCN25-30GM50-Z7-V1	Non-flush	25	2-wire	2-wire	Normally-closed (NC)	500	3.5	30	48				
NEN40-30GM60-E0-V1	Non-flush	40	3-wire	NPN	Normally-open (NO)	100	10	30	73.5				
NEN40-30GM60-E2-V1	Non-flush	40	3-wire	PNP	Normally-open (NO)	100	10	30	73.5				
NEN40-30GM60-E3-V1	Non-flush	40	3-wire	PNP	Normally-closed (NC)	100	10	30	73.5				



Accessories

BF 30	Mounting adapter, 30 mm
BF 30-F	Plastic mounting adapter, 30 mm
EXG-30	Quick-mounting bracket with fixed stop
V1-G-2M-PUR	Single-ended female cordset, M12, 4-pin, PUR cable
V1-G-BK0,3M-PUR-U-V1-G	Cordset, M12 to M12, PUR cable, 4-pin
V1-W-2M-PUR	Single-ended female cordset, M12, 4-pin, PUR cable

M30 Series – With Cable Connection



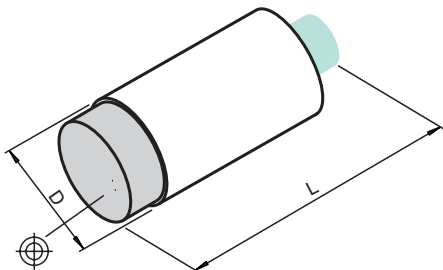
Standard Technical Data

Connection type	Fixed cable
Housing diameter D	30 mm

For detailed data and description, see the datasheet. Further products can be found online at www.pepperl-fuchs.com.

Model number	Type of installation	Detection range [mm]	Output type	Output type	Switching function	Voltage type	Switching frequency [Hz]	UB (min)	UB (max)	Cable length [mm]	Cable material	Length L	CCC	CSA	UL
NBB8-30GM60-I3	Flush	8	3-wire	Analog current output	0 mA ... 20 mA	DC		15	30	2000	PVC	60			■
NBB10-30GK50-E0	Flush	10	3-wire	NPN	Normally-open (NO)	DC	200	10	30	2000	PVC	50	■	■	
NBB10-30GK50-E2	Flush	10	3-wire	PNP	Normally-open (NO)	DC	200	10	30	2000	PVC	50	■	■	
NBB10-30GK50-E2-10M	Flush	10	3-wire	PNP	Normally-open (NO)	DC	200	10	30	10000	PVC	50	■	■	
NBB10-30GM40-E2	Flush	10	3-wire	PNP	Normally-open (NO)	DC	200	10	30	2000	PVC	40	■	■	
NBB10-30GM40-Z0	Flush	10	2-wire	2-wire	Normally-open (NO)	DC	150	5	60	2000	PVC	40	■	■	■
NBB10-30GM50-E0	Flush	10	3-wire	NPN	Normally-open (NO)	DC	200	10	30	2000	PVC	50	■	■	
NBB10-30GM50-E2	Flush	10	3-wire	PNP	Normally-open (NO)	DC	200	10	30	2000	PVC	50	■	■	
NBB10-30GM60-A0	Flush	10	4-wire	NPN	Complementary	DC	200	10	30	2000	PVC	60	■	■	
NBB10-30GM60-A2	Flush	10	4-wire	PNP	Complementary	DC	200	10	30	2000	PVC	60	■	■	
NBB10-30GM60-A2-5M	Flush	10	4-wire	PNP	Complementary	DC	200	10	30	5000	PVC	60	■	■	
NCB10-30GM40-Z0	Flush	10	2-wire	2-wire	Normally-open (NO)	DC	150	5	60	2000	PUR	40	■	■	■
NCB10-30GM40-Z1	Flush	10	2-wire	2-wire	Normally-closed (NC)	DC	150	5	60	2000	PUR	40	■	■	■
NJ10-30GK50-A2	Flush	10	4-wire	PNP	Complementary	DC	500	10	60	2000	PVC	50	■	■	■
NJ10-30GM50-A2	Flush	10	4-wire	PNP	Complementary	DC	300	10	60	2000	PVC	50	■	■	■
NBB15-30GM30-E2	Flush	15	3-wire	PNP	Normally-open (NO)	DC	150	10	30	2000	PVC	30	■	■	
NBB15-30GM30-E3	Flush	15	3-wire	PNP	Normally-closed (NC)	DC	150	10	30	2000	PVC	30	■	■	
NBB15-30GM35-A0	Flush	15	4-wire	NPN	Complementary	DC	1000	10	30	2000	PVC	35			■
NBB15-30GM35-A2	Flush	15	4-wire	PNP	Complementary	DC	1000	10	30	2000	PVC	35			■
NBB15-30GM50-E0	Flush	15	3-wire	NPN	Normally-open (NO)	DC	200	10	30	2000	PVC	50	■	■	
NBB15-30GM50-E2	Flush	15	3-wire	PNP	Normally-open (NO)	DC	200	10	30	2000	PVC	50	■	■	
NBB15-30GM60-A0	Flush	15	4-wire	NPN	Complementary	DC	200	10	30	2000	PVC	60	■	■	
NBB15-30GM60-A2	Flush	15	4-wire	PNP	Complementary	DC	200	10	30	2000	PVC	60	■	■	
NCB15-30GM50-Z4	Flush	15	2-wire	2-wire	Normally-open (NO)	DC	500	3.5	30	2000	PVC	48	■	■	
NCB15-30GM50-Z5	Flush	15	2-wire	2-wire	Normally-closed (NC)	DC	500	3.5	30	2000	PVC	48	■	■	
NEB22-30GM60-E0	Semi-flush	22	3-wire	NPN	Normally-open (NO)	DC	150	10	30	2000	PVC	60			
NEB22-30GM60-E2	Semi-flush	22	3-wire	PNP	Normally-open (NO)	DC	150	10	30	2000	PVC	60			
NBN15-30GK50-E0	Non-flush	15	3-wire	NPN	Normally-open (NO)	DC	200	10	30	2000	PVC	50	■	■	
NBN15-30GK50-E2	Non-flush	15	3-wire	PNP	Normally-open (NO)	DC	200	10	30	2000	PVC	50	■	■	
NBN15-30GK50-E2-25M	Non-flush	15	3-wire	PNP	Normally-open (NO)	DC	200	10	30	5000	PVC	50	■	■	
NBN15-30GK60-AR-1M	Non-flush	15	Relay	Relay	Change-over contact	DC	20	10	30	1000	PVC	60	■	■	
NBN15-30GK60-AR-3M	Non-flush	15	Relay	Relay	Change-over contact	DC	20	10	30	3000	PVC	60	■	■	
NBN15-30GK60-UR-5M	Non-flush	15	Relay	Relay	Change-over contact	AC/DC		20	132	5000	PVC	60	■	■	
NBN15-30GM40-Z0	Non-flush	15	2-wire	2-wire	Normally-open (NO)	DC	150	5	60	2000	PVC	40	■	■	■
NBN15-30GM50-E0	Non-flush	15	3-wire	NPN	Normally-open (NO)	DC	200	10	30	2000	PVC	50	■	■	
NBN15-30GM50-E2	Non-flush	15	3-wire	PNP	Normally-open (NO)	DC	200	10	30	2000	PVC	50	■	■	
NBN15-30GM60-A0	Non-flush	15	4-wire	NPN	Complementary	DC	200	10	30	2000	PVC	60	■	■	

Model number	Type of installation	Detection range [mm]	Output type	Output type	Switching function	Voltage type	Switching frequency [Hz]	UB (min)	UB (max)	Cable length [mm]	Cable material	Length L	CCC	CSA	UL
NBN15-30GM60-A2	Non-flush	15	4-wire	PNP	Complementary	DC	200	10	30	2000	PVC	60			
NBN15-30GM60-A2-5M	Non-flush	15	4-wire	PNP	Complementary	DC	200	10	30	5000	PVC	60			
NBN15-30GM60-I3	Non-flush	15	3-wire	Analog current output	0 mA ... 20 mA	DC		15	30	2000	PVC	60			
NBN15-30GM60-I3-5M	Non-flush	15	3-wire	Analog current output	0 mA ... 20 mA	DC		15	30	5000	PVC	60			
NCN15-30GM40-Z0	Non-flush	15	2-wire	2-wire	Normally-open (NO)	DC	100	5	60	2000	PUR	40			
NCN15-30GM40-Z0-10M	Non-flush	15	2-wire	2-wire	Normally-open (NO)	DC	100	5	60	10000	PUR	40			
NCN15-30GM40-Z1	Non-flush	15	2-wire	2-wire	Normally-closed (NC)	DC	100	5	60	2000	PUR	40			
NJ15-30GK50-A2	Non-flush	15	4-wire	PNP	Complementary	DC	300	10	60	2000	PVC	50			
NJ15-30GK50-A2	Non-flush	15	4-wire	PNP	Complementary	DC	300	10	60	2000	PVC	50			
NBN20-30GM40-A0	Non-flush	20	4-wire	NPN	Complementary	DC	1000	10	30	2000	PVC	40			
NBN20-30GM40-A2	Non-flush	20	4-wire	PNP	Complementary	DC	1000	10	30	2000	PVC	40			
NBN22-30GM35-E2	Non-flush	22	3-wire	PNP	Normally-open (NO)	DC	80	10	30	2000	PVC	35			
NBN25-30GM50-E0	Non-flush	25	3-wire	NPN	Normally-open (NO)	DC	200	10	30	2000	PVC	50			
NBN25-30GM50-E2	Non-flush	25	3-wire	PNP	Normally-open (NO)	DC	200	10	30	2000	PVC	50			
NCN25-30GM50-Z4	Non-flush	25	2-wire	2-wire	Normally-open (NO)	DC	500	3.5	30	2000	PVC	48			
NCN25-30GM50-Z5	Non-flush	25	2-wire	2-wire	Normally-closed (NC)	DC	500	3.5	30	2000	PVC	48			
NEN40-30GM60-E0	Non-flush	40	3-wire	NPN	Normally-open (NO)	DC	100	10	30	2000	PVC	60			
NEN40-30GM60-E2	Non-flush	40	3-wire	PNP	Normally-open (NO)	DC	100	10	30	2000	PVC	60			



Accessories

AB-30	Mounting aid
BF 30	Mounting adapter, 30 mm
EXG-18	Quick-mounting bracket with fixed stop
EXG-30	Quick-mounting bracket with fixed stop
V1-G-2M-PUR	Single-ended female cordset, M12, 4-pin, PUR cable
V1-W-2M-PUR	Single-ended female cordset, M12, 4-pin, PUR cable

M30 Series – 250 V Version



Standard Technical Data

Output type	2-wire
Operating voltage (min)	20 V
Housing diameter D	30 mm

For detailed data and description, see the datasheet. Further products can be found online at www.pepperl-fuchs.com.

Model number	Type of installation	Detection range [mm]	Output type	Switching function	Voltage type	Switching frequency [Hz]	UB (max)	Connection type	Cable length [mm]	Cable material	Length L	CCC	CSA	UL
NBB10-30GKK-WO	Flush	10	2-wire	Normally-closed (NC)	AC	20	250	Terminal compartment			115	■	■	■
NBB10-30GKK-WS	Flush	10	2-wire	Normally-open (NO)	AC	20	250	Terminal compartment			115	■	■	■
NBB10-30GM50-WO	Flush	10	2-wire	Normally-closed (NC)	AC	20	253	Fixed cable	2000	PVC	50	■	■	■
NBB10-30GM50-WO-10M	Flush	10	2-wire	Normally-closed (NC)	AC	20	253	Fixed cable	10000	PVC	50	■	■	■
NBB10-30GM50-WO-V12	Flush	10	2-wire	Normally-closed (NC)	AC	20	253	1/2 inch connector plug			60	■	■	■
NBB10-30GM50-WO-V93	Flush	10	2-wire	Normally-closed (NC)	AC	20	253	7/8 inch connector plug			50	■	■	■
NBB10-30GM50-WS	Flush	10	2-wire	Normally-open (NO)	AC	20	253	Fixed cable	2000	PVC	50	■	■	■
NBB10-30GM50-WS-10M	Flush	10	2-wire	Normally-open (NO)	AC	20	253	Fixed cable	10000	PVC	50	■	■	■
NBB10-30GM50-WS-V11	Flush	10	2-wire	Normally-open (NO)	AC	20	253	M12 connector plug			60	■	■	■
NBB10-30GM50-WS-V12	Flush	10	2-wire	Normally-open (NO)	AC	20	253	1/2 inch connector plug			60	■	■	■
NBB10-30GM50-WS-V93	Flush	10	2-wire	Normally-open (NO)	AC	20	253	7/8 inch connector plug			50	■	■	■
NBB15-30GKK-WO	Flush	15	2-wire	Normally-closed (NC)	AC	20	250	Terminal compartment			115	■	■	■
NBB15-30GKK-WS	Flush	15	2-wire	Normally-open (NO)	AC	20	250	Terminal compartment			115	■	■	■
NBB15-30GM50-UO	Flush	15	3-wire	Normally-closed (NC)	AC/DC	30	300	Fixed cable	2000	PUR	50	■	■	■
NBB15-30GM50-UO-5M	Flush	15	3-wire	Normally-closed (NC)	AC/DC	30	300	Fixed cable	5000	PUR	50			■
NBB15-30GM50-UO-V12	Flush	15	3-wire	Normally-closed (NC)	AC/DC	30	300	M12 connector plug			60	■	■	■
NBB15-30GM50-UO-V93	Flush	15	3-wire	Normally-closed (NC)	AC/DC	30	300	7/8 inch connector plug			65	■	■	■
NBB15-30GM50-US	Flush	15	2-wire	Normally-open (NO)	AC/DC	30	300	Fixed cable	2000	PUR	50	■	■	■
NBB15-30GM50-US-5M	Flush	15	3-wire	Normally-open (NO)	AC/DC	30	300	Fixed cable	5000	PUR	50	■	■	■
NBB15-30GM50-US-V12	Flush	15	3-wire	Normally-open (NO)	AC/DC	30	300	1/2 inch connector plug			60	■	■	■
NBB15-30GM50-US-V93	Flush	15	3-wire	Normally-open (NO)	AC/DC	30	300	7/8 inch connector plug			65	■	■	■
NBB15-30GM50-WO	Semi-flush	15	2-wire	Normally-closed (NC)	AC	20	253	Fixed cable	2000	PVC	50	■	■	■
NBB15-30GM50-WO-V12	Semi-flush	15	2-wire	Normally-closed (NC)	AC	20	253	1/2 inch connector plug			60	■	■	■
NBB15-30GM50-WO-V93	Semi-flush	15	2-wire	Normally-closed (NC)	AC	20	253	7/8 inch connector plug			50		■	■
NBB15-30GM50-WS	Semi-flush	15	2-wire	Normally-open (NO)	AC	20	253	Fixed cable	2000	PVC	50	■	■	■
NBB15-30GM50-WS-5M	Semi-flush	15	2-wire	Normally-open (NO)	AC	20	253	Fixed cable	5000	PVC	50			
NBB15-30GM50-WS-V11	Semi-flush	15	2-wire	Normally-open (NO)	AC	20	250	M12 connector plug			60	■	■	■
NBB15-30GM50-WS-V12	Semi-flush	15	2-wire	Normally-open (NO)	AC	20	253	1/2 inch connector plug			60	■	■	■
NBB15-30GM50-WS-V93	Semi-flush	15	2-wire	Normally-open (NO)	AC	20	253	7/8 inch connector plug			50	■	■	■
NBN25-30GM50-UO	Non-flush	25	3-wire	Normally-closed (NC)	AC/DC	30	300	Fixed cable	2000	PUR	51	■	■	■
NBN25-30GM50-UO-V12	Non-flush	25	3-wire	Normally-closed (NC)	AC/DC	30	300	1/2 inch connector plug			60	■	■	■
NBN25-30GM50-UO-V93	Non-flush	25	3-wire	Normally-closed (NC)	AC/DC	30	300	7/8 inch connector plug			65	■	■	■
NBN25-30GM50-US	Non-flush	25	3-wire	Normally-open (NO)	AC/DC	30	300	Fixed cable	2000	PUR	51	■	■	■
NBN25-30GM50-US-V12	Non-flush	25	3-wire	Normally-open (NO)	AC/DC	30	300	1/2 inch connector plug			60	■	■	■
NBN25-30GM50-US-V93	Non-flush	25	3-wire	Normally-open (NO)	AC/DC	30	300	7/8 inch connector plug			65	■	■	■
NBN25-30GM65-US-5M	Non-flush	25	3-wire	Normally-open (NO)	AC/DC	30	300	Fixed cable	5000	PUR	51	■		■



Cube-Style Inductive Proximity Sensors

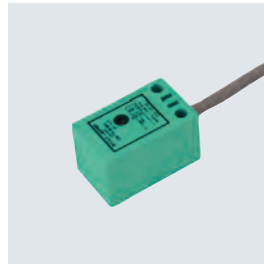
Contents



F Series
Page 47



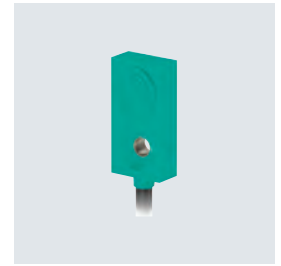
F1 Series
Page 47



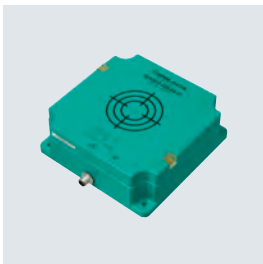
F7 Series
Page 48



F76 Series
Page 49



F79 Series
Page 50



F23 Series
Page 56



F29 Series
Page 57



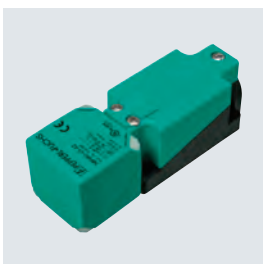
F33/F33M Series
Page 58



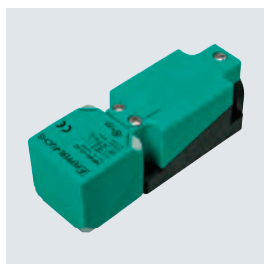
F41/F41A Series
Page 59



FP Series
Page 60



VariKont U4 Series
Page 68



VariKont U10 Series
Page 69



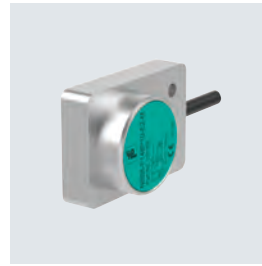
F9 Series
Page 51



F10 Series
Page 52



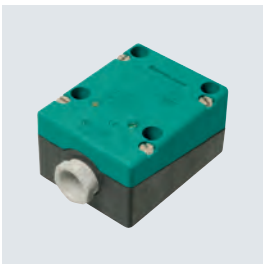
F11 Series
Page 53



F148 Series
Page 54



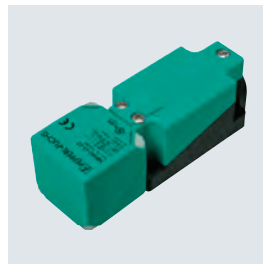
V3 Series
Page 55



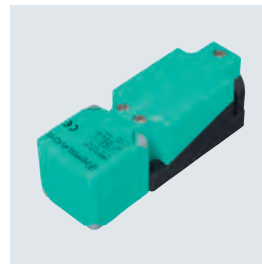
FPS Series
Page 61



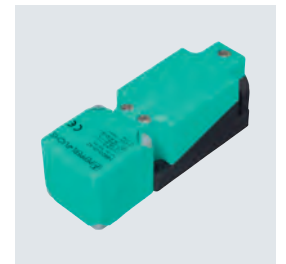
VariKont L2/L3 Series
Page 62



VariKont U1 Series
Page 64



VariKont U2 Series
Page 66



VariKont U3 Series
Page 67



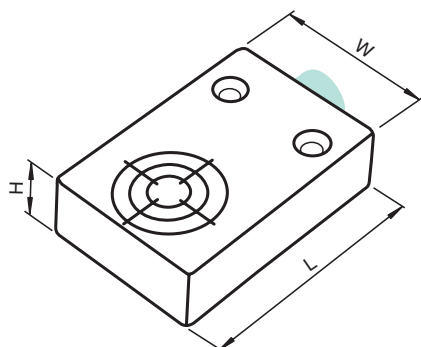
F Series



Standard Technical Data	
Voltage type	DC
Connection type	Fixed cable
Housing length L	45 mm
Housing width W	30 mm
Housing height H	12 mm
CSA	■
UL	■

For detailed data and description, see the datasheet. Further products can be found online at www.pepperl-fuchs.com.

Model number	Type of installation	Detection range [mm]	Output type	Output type	Switching function	Switching frequency [Hz]	UB (min)	UB (max)	Cable length [mm]	Cable material	CCC
NJ6-F-A	Flush	6	4-wire	NPN	Complementary	500	10	60	2000	PUR	■
NJ6-F-A2	Flush	6	4-wire	PNP	Complementary	500	10	60	2000	PUR	■
NJ6-F-E	Flush	6	3-wire	NPN	Normally-open (NO)	500	10	60	2000	PUR	■
NJ6-F-E2	Flush	6	3-wire	PNP	Normally-open (NO)	500	10	60	2000	PUR	■
NJ6-F-E2-5M	Flush	6	3-wire	PNP	Normally-open (NO)	500	10	60	5000	PUR	■
NJ6-F-E2-10M	Flush	6	3-wire	PNP	Normally-open (NO)	500	10	60	10000	PUR	■
NBB6-F-B3	Flush	6	2-wire	AS-Interface	Normally open/close selectable		26.5	31.9	2000	PVC	
NBB6-F-B3B	Flush	6	2-wire	AS-Interface	Normally open/close selectable		26.5	31.9	2000	PVC	
NBB6-F-E2	Flush	6	3-wire	PNP	Normally-open (NO)	500	10	30	5000	PVC	
NJ10-F-A2	Flush	10	4-wire	PNP	Complementary	200	10	60	2000	PUR	■
NJ10-F-E2	Non-flush	10	3-wire	PNP	Normally-open (NO)	250	10	60	2000	PUR	■



F1 Series

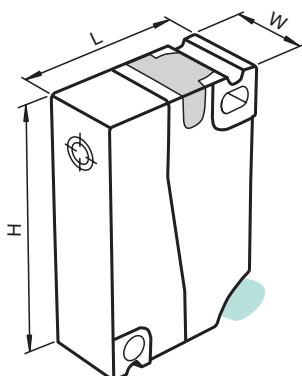


Standard Technical Data

Housing length L	26 mm
Housing width W	12 mm
Housing height H	40 mm
CSA	■
UL	■

For detailed data and description, see the datasheet. Further products can be found online at www.pepperl-fuchs.com.

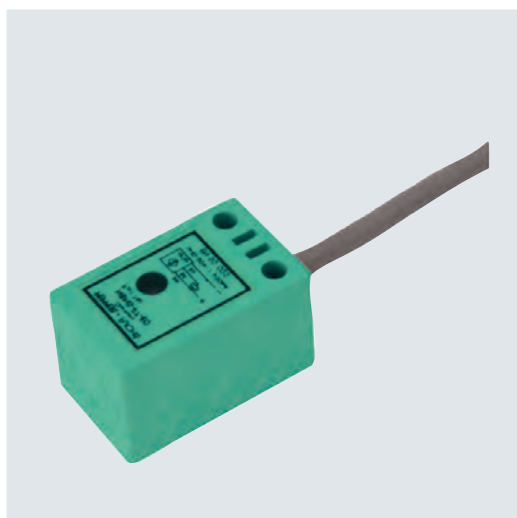
Model number	Type of installation	Detection range [mm]	Output type	Output type	Switching function	Voltage type	Switching frequency [Hz]	UB (min)	UB (max)	Connection type	Cable length [mm]	Cable material	CCC
NBB2-F1-US	Flush	2	2-wire	2-wire	Normally-open (NO)	AC/DC	25	20	253	Fixed cable	2000	PVC	■
NBB2-F1-E2	Flush	2	3-wire	PNP	Normally-open (NO)	DC	1400	10	30	Fixed cable	2000	PVC	
NBB2-F1-E2-V3	Flush	2	3-wire	PNP	Normally-open (NO)	DC	1400	10	30	M8 connector plug			
NBB4-F1-A0	Flush	4	4-wire	NPN	Complementary	DC	1400	10	30	Fixed cable	2000	PVC	
NBB4-F1-A0 5M	Flush	4	4-wire	NPN	Complementary	DC	1400	10	30	Fixed cable	5000	PVC	
NBB4-F1-A0-V31	Flush	4	4-wire	NPN	Complementary	DC	1400	10	30	M8 connector plug			
NBB4-F1-A2	Flush	4	4-wire	PNP	Complementary	DC	1400	10	30	Fixed cable	2000	PVC	
NBB4-F1-A2-V31	Flush	4	4-wire	PNP	Complementary	DC	1400	10	30	M8 connector plug			
NBB4-F1-E0	Flush	4	3-wire	NPN	Normally-open (NO)	DC	1400	10	30	Fixed cable	2000	PVC	
NBB4-F1-E0-V3	Flush	4	3-wire	NPN	Normally-open (NO)	DC	1400	10	30	M8 connector plug			
NBB4-F1-E2	Flush	4	3-wire	PNP	Normally-open (NO)	DC	1400	10	30	Fixed cable	2000	PVC	
NBB4-F1-E2-6M	Flush	4	3-wire	PNP	Normally-open (NO)	DC	1400	10	30	Fixed cable	6000	PVC	
NBB4-F1-E2-V3	Flush	4	3-wire	PNP	Normally-open (NO)	DC	1400	10	30	M8 connector plug			
NBB4-F1-E3	Flush	4	3-wire	PNP	Normally-closed (NC)	DC	1400	10	30	Fixed cable	2000	PVC	
NBB4-F1-E3-6M	Flush	4	3-wire	PNP	Normally-closed (NC)	DC	1400	10	30	Fixed cable	6000	PVC	
NBB4-F1-E3-V3	Flush	4	3-wire	PNP	Normally-closed (NC)	DC	1400	10	30	M8 connector plug			
NBB4-F1-UO	Flush	4	2-wire	2-wire	Normally-closed (NC)	AC/DC	25	20	253	Fixed cable	2000	PVC	■
NBB4-F1-US	Flush	4	2-wire	2-wire	Normally-open (NO)	AC/DC	25	20	253	Fixed cable	2000	PVC	■
NBN8-F1-A0	Non-flush	8	4-wire	NPN	Complementary	DC	1400	10	30	Fixed cable	2000	PVC	
NBN8-F1-A0-V31	Non-flush	8	4-wire	NPN	Complementary	DC	1400	10	30	M8 connector plug			
NBN8-F1-A2	Non-flush	8	4-wire	PNP	Complementary	DC	1400	10	30	Fixed cable	2000	PVC	
NBN8-F1-A2-V31	Non-flush	8	4-wire	PNP	Complementary	DC	1400	10	30	M8 connector plug			
NBN8-F1-E0	Non-flush	8	3-wire	NPN	Normally-open (NO)	DC	1400	10	30	Fixed cable	2000	PVC	
NBN8-F1-E0-V3	Non-flush	8	3-wire	NPN	Normally-open (NO)	DC	1400	10	30	M8 connector plug			
NBN8-F1-E2	Non-flush	8	3-wire	PNP	Normally-open (NO)	DC	1400	10	30	Fixed cable	2000	PVC	
NBN8-F1-E2-V3	Non-flush	8	3-wire	PNP	Normally-open (NO)	DC	1400	10	30	M8 connector plug			
NBN8-F1-E3	Non-flush	8	3-wire	PNP	Normally-closed (NC)	DC	1400	10	30	Fixed cable	2000	PVC	
NBN8-F1-E3-V3	Non-flush	8	3-wire	PNP	Normally-closed (NC)	DC	1400	10	30	M8 connector plug			



Accessories

V3-WM-2M-PUR	Single-ended female cordset, M8, 3-pin, PUR cable
V31-GM-2M-PUR	Single-ended female cordset, M8, 4-pin, PUR cable
V31-WM-2M-PUR	Single-ended female cordset, M8, 4-pin, PUR cable

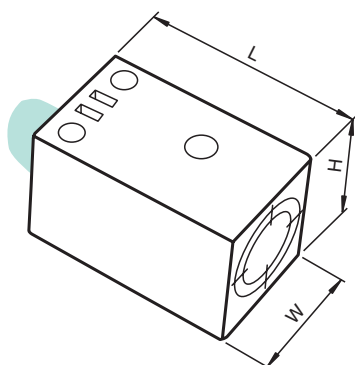
F7 Series



Standard Technical Data	
Type of installation	Non-flush
Detection range	5 mm
Output type	3-wire
Switching function	Normally-open (NO)
Voltage type	DC
Switching frequency	500 Hz
Operating voltage (min)	10 V
Operating voltage (max)	30 V
Connection type	Fixed cable
Cable material	PVC
Housing length L	28 mm
Housing width W	17 mm
Housing height H	17 mm
CSA	■
UL	■

For detailed data and description, see the datasheet. Further products can be found online at www.pepperl-fuchs.com.

Model number	Output type	Cable length [mm]
NBN5-F7-E0	NPN	2000
NBN5-F7-E0-5M	NPN	5000
NBN5-F7-E2	PNP	2000



F76 Series

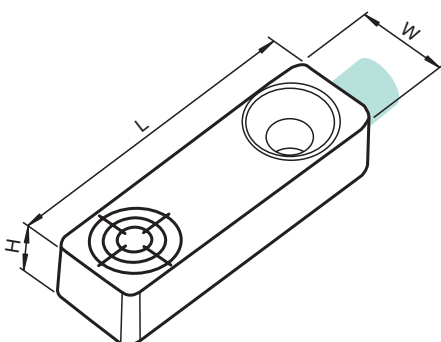


Standard Technical Data

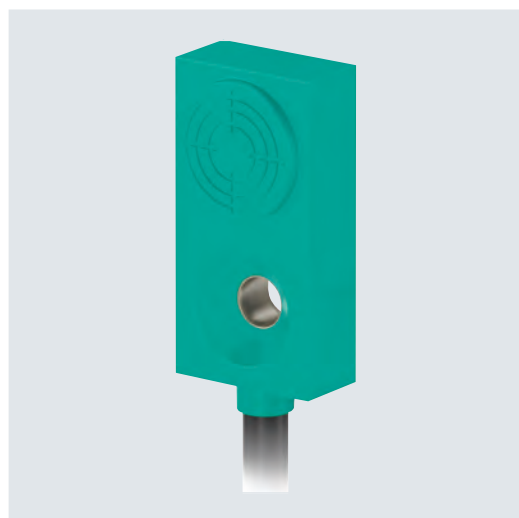
Type of installation	Flush
Detection range	2 mm
Output type	3-Wire
Voltage type	DC
Switching frequency	1500 Hz
Operating voltage (min)	10 V
Operating voltage (max)	30 V
Connection type	Fixed cable
Cable Length	5000 mm
Cable material	PVC
Housing length L	25 mm
Housing width W	8 mm
Housing height H	5.5 mm

For detailed data and description, see the datasheet. Further products can be found online at www.pepperl-fuchs.com.

Model number	Output type	Switching function
NBB2-F76-E0-0,5M	NPN	Normally-open (NO)
NBB2-F76-E1-0,5M	NPN	Normally-closed (NC)
NBB2-F76-E2-0,5M	PNP	Normally-open (NO)
NBB2-F76-E3-0,5M	PNP	Normally-closed (NC)



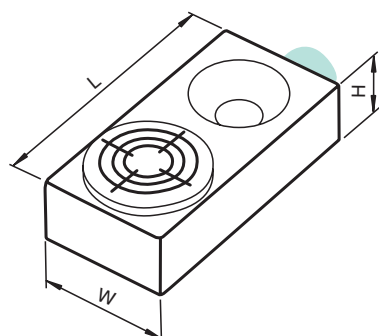
F79 Series



Standard Technical Data	
Type of installation	Flush
Detection range	1.5 mm
Output type	3-wire
Voltage type	DC
Switching frequency	1200 Hz
Operating voltage (min)	5 V
Operating voltage (max)	30 V
Cable material	PVC
Housing length L	16 mm
Housing width W	8 mm
Housing height H	4.7 mm

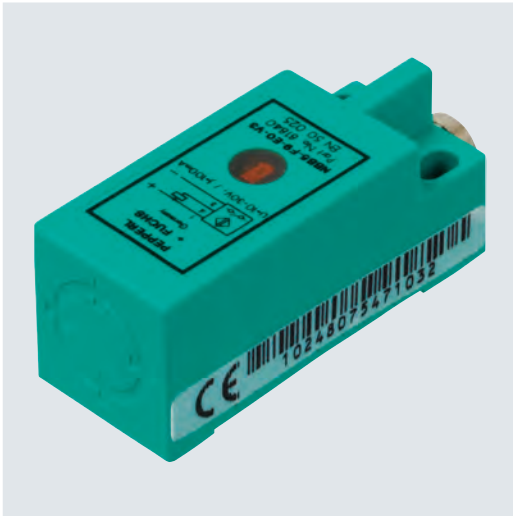
For detailed data and description, see the datasheet. Further products can be found online at www.pepperl-fuchs.com.

Model number	Output type	Switching function	Connection type	Cable length [mm]	CSA	EAC	UL
NBB1,5-F79-E0	NPN	Normally-open (NO)	Stranded cable	500	■		■
NBB1,5-F79-E0-0,1M-V3	NPN	Normally-open (NO)	Fixed cable with M8 plug	100			
NBB1,5-F79-E0-0,5M	NPN	Normally-open (NO)	Fixed cable	500			
NBB1,5-F79-E0-5M	NPN	Normally-open (NO)	Fixed cable	5000			
NBB1,5-F79-E1	NPN	Normally-closed (NC)	Other		■		■
NBB1,5-F79-E1-0,1M-V3	NPN	Normally-closed (NC)	Fixed cable with M8 plug	100			
NBB1,5-F79-E1-0,5M	NPN	Normally-closed (NC)	Fixed cable	500			
NBB1,5-F79-E1-5M	NPN	Normally-closed (NC)	Fixed cable	5000			
NBB1,5-F79-E2	PNP	Normally-open (NO)	Stranded cable	500	■	■	■
NBB1,5-F79-E2-0,16M-V1	PNP	Normally-open (NO)	Fixed cable with M12 plug	160			
NBB1,5-F79-E2-0,1M-V3	PNP	Normally-open (NO)	Fixed cable with M8 plug	100			
NBB1,5-F79-E2-0,5M	PNP	Normally-open (NO)	Fixed cable	500			
NBB1,5-F79-E2-2M	PNP	Normally-open (NO)	Fixed cable	2000			■
NBB1,5-F79-E2-5M	PNP	Normally-open (NO)	Fixed cable	5000			
NBB1,5-F79-E3	PNP	Normally-closed (NC)	Stranded cable	500	■	■	■
NBB1,5-F79-E3-0,1M-V3	PNP	Normally-closed (NC)	Fixed cable with M8 plug	100			
NBB1,5-F79-E3-0,5M	PNP	Normally-closed (NC)	Fixed cable	500			
NBB1,5-F79-E3-5M	PNP	Normally-closed (NC)	Fixed cable	5000			



Accessories	
V1-G-2M-PUR	Single-ended female cordset, M12, 4-pin, PUR cable
V1-W-2M-PUR	Single-ended female cordset, M12, 4-pin, PUR cable
V3-WM-2M-PUR	Single-ended female cordset, M8, 3-pin, PUR cable

F9 Series

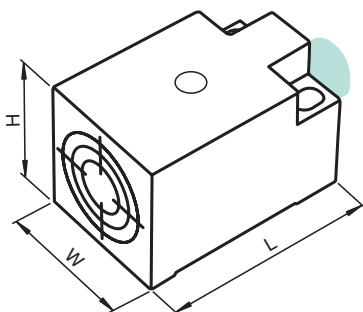


Standard Technical Data

Type of installation	Flush
Detection range	5 mm
Output type	3-wire
Switching function	Normally-open (NO)
Voltage type	DC
Switching frequency	500 Hz
Operating voltage (min)	10 V
Operating voltage (max)	30 V
Housing length L	38.5 mm
Housing width W	16 mm
Housing height H	16.5 mm
CSA	■
UL	■

For detailed data and description, see the datasheet. Further products can be found online at www.pepperl-fuchs.com.

Model number	Output type	Connection type	Cable length [mm]	Cable material
NBB5-F9-E0	NPN	Fixed cable	2000	PVC
NBB5-F9-E0-V3	NPN	8 mm connector plug		
NBB5-F9-E2	PNP	Fixed cable	2000	PVC
NBB5-F9-E2-V3	PNP	8 mm connector plug		



Accessories

V3-WM-2M-PUR	Single-ended female cordset, M8, 3-pin, PUR cable
--------------	---

F10 Series

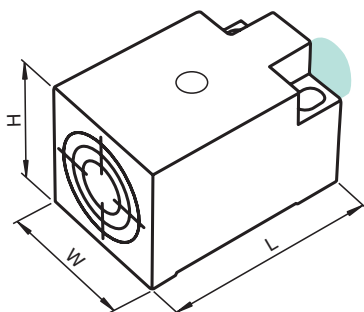


Standard Technical Data	
Output type	3-wire
Switching function	Normally-open (NO)
Voltage type	DC
Switching frequency	500 Hz
Operating voltage (min)	10 V
Operating voltage (max)	30 V
Housing length L	38.5 mm
Housing width W	25 mm
Housing height H	25.5 mm
UL	■

For detailed data and description, see the datasheet. Further products can be found online at www.pepperl-fuchs.com.

Model number	Type of installation	Detection range [mm]	Output type	Connection type	Cable length [mm]	Cable material	EAC
NBB7-F10-E0	Flush	7	NPN	Fixed cable	2000	PVC	
NBB7-F10-E2	Flush	7	PNP	Fixed cable	2000	PVC	
NBN10-F10-E0	Non-flush	10	NPN	Fixed cable	2000	PVC	
NBN10-F10-E0-V1	Non-flush	10	NPN	M12 connector plug			
NBN10-F10-E2	Non-flush	10	PNP	Fixed cable	2000	PVC	■
NBN10-F10-E2-V1	Non-flush	10	PNP	M12 connector plug			

Accessories	
V1-G-2M-PUR	Single-ended female cordset, M12, 4-pin, PUR cable
V1-W-2M-PUR	Single-ended female cordset, M12, 4-pin, PUR cable



F11 Series

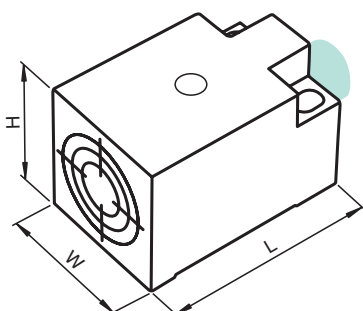


Standard Technical Data

Type of installation	Non-flush
Detection range	15 mm
Output type	3-wire
Switching function	Normally-open (NO)
Voltage type	DC
Switching frequency	150 Hz
Operating voltage (min)	10 V
Operating voltage (max)	30 V
Housing length L	38.5 mm
Housing width W	30 mm
Housing height H	30.5 mm
CSA	■
UL	■

For detailed data and description, see the datasheet. Further products can be found online at www.pepperl-fuchs.com.

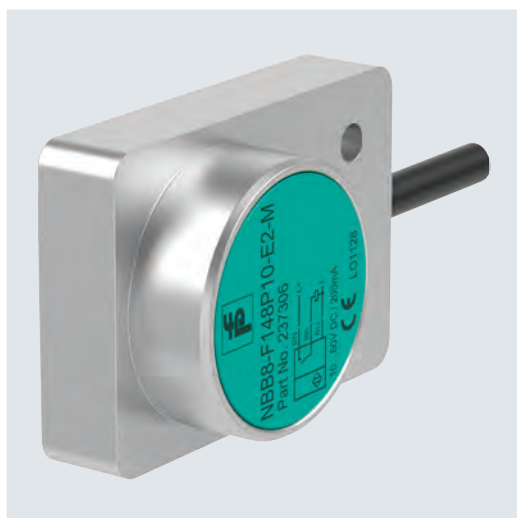
Model number	Output type	Connection type	Cable length [mm]	Cable material
NBN15-F11-E0	NPN	Fixed cable	2000	PVC
NBN15-F11-E0-V1	NPN	M12 connector plug		
NBN15-F11-E2	PNP	Fixed cable	2000	PVC
NBN15-F11-E2-V1	PNP	M12 connector plug		



Accessories

V1-G-2M-PUR	Single-ended female cordset, M12, 4-pin, PUR cable
V1-W-2M-PUR	Single-ended female cordset, M12, 4-pin, PUR cable

F148 Series

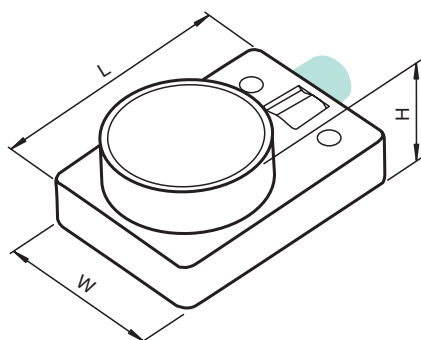


Standard Technical Data

Type of installation	Flush
Voltage type	DC
Switching frequency	600 Hz
Operating voltage (min)	10 V
Cable material	PUR
Housing length L	50 mm
Housing width W	35 mm
Housing height H	20 mm

For detailed data and description, see the datasheet. Further products can be found online at www.pepperl-fuchs.com.

Model number	Detection range [mm]	Output type	Output type	Switching function	UB (max)	Connection type	Cable length [mm]	E1 type approval
NBB8-F148P10-E0-M	8	3-wire	NPN	Normally-open (NO)	60	Fixed cable	2000	■
NBB8-F148P10-E2-M	8	3-wire	PNP	Normally-open (NO)	60	Fixed cable	2000	■
NBB8-F148P10-E2-M-0,15M-3DT04	8	3-wire	PNP	Normally-open (NO)	60	Fixed cable with Deutsch plug	150	■
NBB15-F148P10-E0-M	15	3-wire	NPN	Normally-open (NO)	60	Fixed cable	2000	■
NBB15-F148P10-E2-M	15	3-wire	PNP	Normally-open (NO)	60	Fixed cable	2000	■
NBB15-F148P10-E2-M-0,15M-3DT04	15	3-wire	PNP	Normally-open (NO)	60	Fixed cable with Deutsch plug	150	■
NBB15-F148P10-ARO	15	Relay	Relay	Normally-closed (NC)	30	Fixed cable	2000	
NBB15-F148P10-ARS	15	Relay	Relay	Normally-open (NO)	30	Fixed cable	2000	





V3 Series

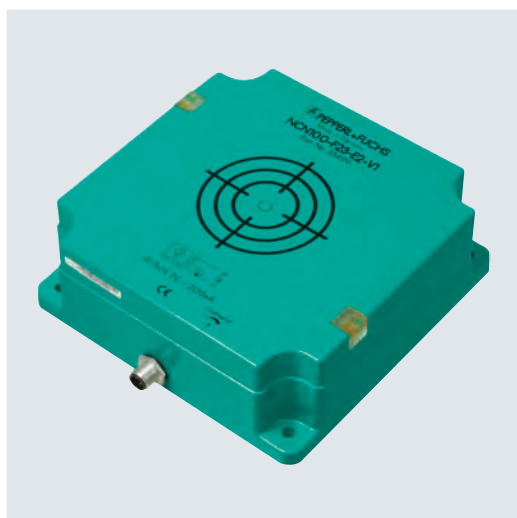


Standard Technical Data	
Voltage type	DC
Housing length L	16 mm
Housing width W	27.8 mm
Housing height H	10.2 mm

For detailed data and description, see the datasheet. Further products can be found online at www.pepperl-fuchs.com.

Model number	Type of installation	Detection range [mm]	Output type	Output type	Switching function	Switching Frequency [Hz]	UB (min)	UB (max)	Connection type	Cable length [mm]	Cable material	CCC	CSA	EAC	UL
NBB2-V3-E0	Flush	2	3-wire	NPN	Normally-open (NO)	1000	10	30	Fixed cable	130	PVC				
NBB2-V3-E0-V5	Flush	2	3-wire	NPN	Normally-open (NO)	1000	10	30	Faston connector plug						
NBB2-V3-E1-V5	Flush	2	3-wire	NPN	Normally-closed (NC)	1000	10	30	Faston connector plug						
NBB2-V3-E2	Flush	2	3-wire	PNP	Normally-open (NO)	1000	10	30	Fixed cable	130	PVC				
NBB2-V3-E2-10M	Flush	2	3-wire	PNP	Normally-open (NO)	1000	10	30	Fixed cable	10000	PVC				
NBB2-V3-E2-V3	Flush	2	3-wire	PNP	Normally-open (NO)	1000	10	30	M8 connector plug						
NBB2-V3-E2-V5	Flush	2	3-wire	PNP	Normally-open (NO)	1000	10	30	Faston connector plug						
NBB2-V3-E3	Flush	2	3-wire	PNP	Normally-closed (NC)	1000	10	30	Fixed cable	130	PVC				
NBB2-V3-E3-V3	Flush	2	3-wire	PNP	Normally-closed (NC)	1000	10	30	M8 connector plug						
NBB2-V3-E3-V5	Flush	2	3-wire	PNP	Normally-closed (NC)	1000	10	30	Faston connector plug						
NBB2-V3-Z4L	Flush	2	2-wire	2-wire	Normally-open (NO)	700	3.7	30	Fixed cable	130	PVC				
NBB3-V3-E0	Flush	3	3-wire	NPN	Normally-open (NO)	1000	10	30	Fixed cable	130	PVC				
NBB3-V3-E0-V3	Flush	3	3-wire	NPN	Normally-open (NO)	1000	10	30	M8 connector plug						
NBB3-V3-E1	Flush	3	3-wire	NPN	Normally-closed (NC)	1000	10	30	Fixed cable	130	PVC				
NBB3-V3-E1-V3	Flush	3	3-wire	NPN	Normally-closed (NC)	1000	10	30	M8 connector plug						
NBB3-V3-E2	Flush	3	3-wire	PNP	Normally-open (NO)	1000	10	30	Fixed cable	130	PVC				
NBB3-V3-E2-2M	Flush	3	3-wire	PNP	Normally-open (NO)	1000	10	30	Fixed cable	2000	PVC				
NBB3-V3-E2-V3	Flush	3	3-wire	PNP	Normally-open (NO)	1000	10	30	M8 connector plug						
NBB3-V3-E3	Flush	3	3-wire	PNP	Normally-closed (NC)	1000	10	30	Fixed cable	130	PVC				
NBB3-V3-E3-V3	Flush	3	3-wire	PNP	Normally-closed (NC)	1000	10	30	M8 connector plug						
NBB3-V3-Z4	Flush	3	2-wire	2-wire	Normally-open (NO)	2000	5	60	Fixed cable	130	PVC				
NBB3-V3-Z4-2M	Flush	3	2-wire	2-wire	Normally-open (NO)	2000	5	60	Fixed cable	2000	PVC				
NBB3-V3-Z4-V5	Flush	3	2-wire	2-wire	Normally-open (NO)	2000	5	60	Faston connector plug						
NBB3-V3-Z5	Flush	3	2-wire	2-wire	Normally-closed (NC)	2000	5	60	Fixed cable	130	PVC				
NBB3-V3-Z5-V5	Flush	3	2-wire	2-wire	Normally-closed (NC)	2000	5	60	Faston connector plug						
NBN4-V3-E0	Non-flush	4	3-wire	NPN	Normally-open (NO)	500	10	30	Fixed cable	130	PVC				
NBN4-V3-E2	Non-flush	4	3-wire	PNP	Normally-open (NO)	500	10	30	Fixed cable	130	PVC				
NBN6-V3-E0	Non-flush	6	3-wire	NPN	Normally-open (NO)	500	10	30	Fixed cable	130	PVC				
NBN6-V3-E0-V3	Non-flush	6	3-wire	NPN	Normally-open (NO)	1000	10	30	M8 connector plug						
NBN6-V3-E1	Non-flush	6	3-wire	NPN	Normally-closed (NC)	500	10	30	Fixed cable	130	PVC				
NBN6-V3-E1-V3	Non-flush	6	3-wire	NPN	Normally-closed (NC)	1000	10	30	M8 connector plug						
NBN6-V3-E2	Non-flush	6	3-wire	PNP	Normally-open (NO)	500	10	30	Fixed cable	130	PVC				
NBN6-V3-E2-V3	Non-flush	6	3-wire	PNP	Normally-open (NO)	1000	10	30	M8 connector plug						
NBN6-V3-E3	Non-flush	6	3-wire	PNP	Normally-closed (NC)	500	10	30	Fixed cable	130	PVC				
NBN6-V3-E3-V3	Non-flush	6	3-wire	PNP	Normally-closed (NC)	1000	10	30	M8 connector plug						

F23 Series



Standard Technical Data

Type of installation	Non-flush
Detection range	100 mm
Output type	3-wire
Output type	PNP
Switching function	Normally-open (NO)
Voltage type	DC
Switching frequency	10 Hz
Operating voltage (min)	10 V
Operating voltage (max)	30 V
Connection type	M12 connector plug
Housing length L	177 mm
Housing width W	177 mm
Housing height H	60.5 mm
UL	■

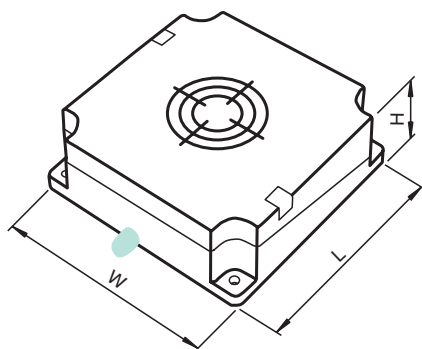
For detailed data and description, see the datasheet. Further products can be found online at www.pepperl-fuchs.com.

Model number

NCN100-F23-E2-V1

Accessories

V1-G-2M-PUR	Single-ended female cordset, M12, 4-pin, PUR cable
V1-W-2M-PUR	Single-ended female cordset, M12, 4-pin, PUR cable



F29 Series



Standard Technical Data

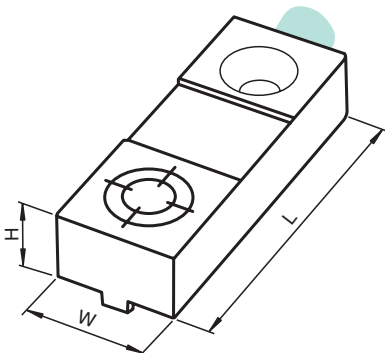
Voltage type	DC
Switching frequency	1000 Hz
Operating voltage (min)	4.75 V
Operating voltage (max)	30 V
Cable material	PVC
Housing length L	27 mm
Housing width W	10 mm
Housing height H	6 mm
UL	■

For detailed data and description, see the datasheet. Further products can be found online at www.pepperl-fuchs.com.

Model number	Type of installation	Detection range [mm]	Output type	Output type	Switching function	Connection type	Cable length [mm]	CSA
NBB2-F29-A0	Flush	2	4-wire	NPN	Complementary	Fixed cable	2000	■
NBB2-F29-A2	Flush	2	4-wire	PNP	Complementary	Fixed cable	2000	■
NBB2-F29-E2-5M	Flush	2	3-wire	PNP	Normally-open (NO)	Fixed cable	5000	■
NBB2-F29-E3	Flush	2	3-wire	PNP	Normally-closed (NC)	Fixed cable	2000	■
NBN4-F29-A2	Non-flush	4	4-wire	PNP	Complementary	Fixed cable	2000	■
NBN4-F29-E0	Non-flush	4	3-wire	NPN	Normally-open (NO)	Fixed cable	2000	■
NBN4-F29-E0-5M	Non-flush	4	3-wire	NPN	Normally-open (NO)	Fixed cable	5000	■
NBN4-F29-E2	Non-flush	4	3-wire	PNP	Normally-open (NO)	Fixed cable	2000	■
NBN4-F29-E2-5M	Non-flush	4	3-wire	PNP	Normally-open (NO)	Fixed cable	5000	■
NBN4-F29-E3-0,5M-V3	Non-flush	4	3-wire	PNP	Normally-closed (NC)	Fixed cable with M8 plug	5000	■
NBN4-F29-E3-5M	Non-flush	4	3-wire	PNP	Normally-closed (NC)	Fixed cable	5000	■

Accessories

V3-WM-2M-PUR	Single-ended female cordset, M8, 3-pin, PUR cable
--------------	---





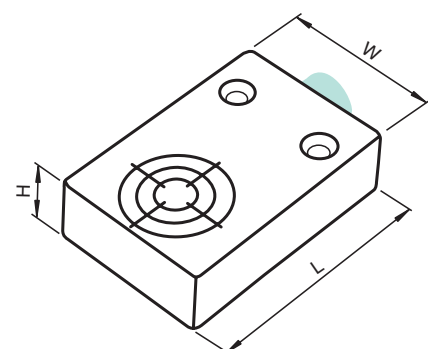
F33/F33M Series



Standard Technical Data	
Type of installation	Flush
Voltage type	DC
Operating voltage (min)	10 V
Connection type	Fixed cable
Housing length L	10 mm
Housing width W	50 mm
Housing height H	25 mm
UL	■

For detailed data and description, see the datasheet. Further products can be found online at www.pepperl-fuchs.com.

Model number	Detection range [mm]	Output type	Output type	Switching function	Switching Frequency [Hz]	UB (max)	Cable length [mm]	Cable material	CCC	CSA
NBB5-F33-A0	5	4-wire	NPN	Complementary	500	30	2000	PVC		■
NBB5-F33-A2	5	4-wire	PNP	Complementary	500	30	2000	PVC		■
NBB5-F33-A2-5M	5	4-wire	PNP	Complementary	500	30	5000	PVC		■
NBB5-F33-E0	5	3-wire	NPN	Normally-open (NO)	500	30	2000	PVC		■
NBB5-F33-E2	5	3-wire	PNP	Normally-open (NO)	500	30	2000	PVC		■
NBB5-F33M-A0	5	4-wire	NPN	Complementary	500	30	2000	PVC		■
NBB5-F33M-A2	5	4-wire	PNP	Complementary	500	30	2000	PVC		■
NBB5-F33M-E0	5	3-wire	NPN	Normally-open (NO)	500	30	2000	PVC		■
NBB5-F33M-E2	5	3-wire	PNP	Normally-open (NO)	500	30	2000	PVC		■
NBB5-F33M-E2-5M	5	3-wire	PNP	Normally-open (NO)	500	30	5000	PVC		■
NBB8-F33-E0	8	3-wire	NPN	Normally-open (NO)	350	60	2000	PVC	■	■
NBB8-F33-E1	8	3-wire	NPN	Normally-closed (NC)	350	60	2000	PVC	■	■
NBB8-F33-E2	8	3-wire	PNP	Normally-open (NO)	350	60	2000	PVC	■	■
NBB8-F33-E2-0,2M-V1	8	3-wire	PNP	Normally-open (NO)	350	30		PVC		
NBB8-F33-E3	8	3-wire	PNP	Normally-closed (NC)	350	60	2000	PVC	■	■
NBB8-F33-E3-0,2M-V1	8	3-wire	PNP	Normally-closed (NC)	350	30				



Accessories	
V1-G-2M-PUR	Single-ended female cordset, M12, 4-pin, PUR cable
V1-W-2M-PUR	Single-ended female cordset, M12, 4-pin, PUR cable

F41/F41A Series



Standard Technical Data

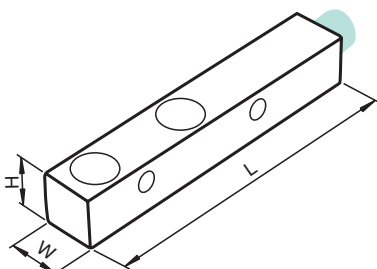
Output type	3-wire
Voltage type	DC
Operating voltage (min)	10 V
Operating voltage (max)	30 V
Housing width W	8 mm
Housing height H	8 mm
CSA	■
UL	■

For detailed data and description, see the datasheet. Further products can be found online at www.pepperl-fuchs.com.

Model number	Type of installation	Detection range [mm]	Output type	Switching function	Switching frequency [Hz]	Connection type	Cable length [mm]	Cable material	Length L
NBB1,5-F41-E2	Flush	1.5	PNP	Normally-open (NO)	1500	Fixed cable	2000	PVC	40
NBB1,5-F41-E2-V3	Flush	1.5	PNP	Normally-open (NO)	1500	M8 connector plug			46
NBB1,5-F41-E3	Flush	1.5	PNP	Normally-closed (NC)	1500	Fixed cable	2000	PVC	40
NBB1,5-F41-E3-6M	Flush	1.5	PNP	Normally-closed (NC)	1500	Fixed cable	6000	PVC	40
NBB1,5-F41-E3-V3	Flush	1.5	PNP	Normally-closed (NC)	1500	M8 connector plug			46
NBB1,5-F41A-E2	Flush	1.5	PNP	Normally-open (NO)	1500	Fixed cable	2000	PVC	40
NBB1,5-F41A-E2-V3	Flush	1.5	PNP	Normally-open (NO)	1500	M8 connector plug			46
NBB1,5-F41A-E3	Flush	1.5	PNP	Normally-closed (NC)	1500	Fixed cable	2000	PVC	40
NBB1,5-F41A-E3-V3	Flush	1.5	PNP	Normally-closed (NC)	1500	M8 connector plug			46
NBB2-F41-E2-V3	Flush	2	PNP	Normally-open (NO)	3000	M8 connector plug			46
NEB3-F41-E0	Semi-flush	3	NPN	Normally-open (NO)	1000	Fixed cable	2000	PVC	40
NEB3-F41-E0-V3	Semi-flush	3	NPN	Normally-open (NO)	1000	M8 connector plug			50
NEB3-F41-E1	Semi-flush	3	NPN	Normally-closed (NC)	1000	Fixed cable	2000	PVC	40
NEB3-F41-E1-V3	Semi-flush	3	NPN	Normally-closed (NC)	1000	M8 connector plug			50
NEB3-F41-E2	Semi-flush	3	PNP	Normally-open (NO)	1000	Fixed cable	2000	PVC	40
NEB3-F41-E2-V3	Semi-flush	3	PNP	Normally-open (NO)	1000	M8 connector plug			50
NEB3-F41-E3	Semi-flush	3	PNP	Normally-closed (NC)	1000	Fixed cable	2000	PVC	40
NEB3-F41-E3-V3	Semi-flush	3	PNP	Normally-closed (NC)	1000	M8 connector plug			50

Accessories

V3-WM-2M-PUR	Single-ended female cordset, M8, 3-pin, PUR cable
--------------	---





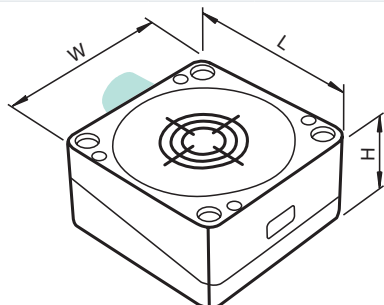
FP Series



Standard Technical Data	
CSA	■
UL	■

For detailed data and description, see the datasheet. Further products can be found online at www.pepperl-fuchs.com.

Model number	Type of installation	Detection range [mm]	Output type	Output type	Switching function	Voltage type	Switching frequency [Hz]	UB (min)	UB (max)	Connection type	Length L	Width W	Height H	CCC	EAC
NCB40-FP-A2-P1	Flush	40	4-wire	PNP	Complementary	DC	80	10	60	Terminal compartment	80	80	40	■	
NCB40-FP-A2-P1-V1	Flush	40	4-wire	PNP	Complementary	DC	80	10	60	M12 connector plug	80	80	40	■	
NCB40-FP-A2-P4-V1	Flush	40	4-wire	PNP	Complementary	DC	80	10	60	M12 connector plug	80	80	40	■	
NCB40-FP-W-P1	Flush	40	2-wire	2-wire	Normally open/close selectable	AC	20	20	253	Terminal compartment	80	80	40	■	
NCB40-FP-Z2-P1	Flush	40	2-wire	2-wire	Normally open/close selectable	DC	50	10	60	Terminal compartment	84	84	40	■	
NCB50-FP-A2-P1	Flush	50	4-wire	PNP	Complementary	DC	80	10	60	Terminal compartment	84	84	40	■	
NCB50-FP-A2-P1-V1	Flush	50	4-wire	PNP	Complementary	DC	80	10	60	M12 connector plug	84	84	40	■	
NCB50-FP-A2-P4-V1	Flush	50	4-wire	PNP	Complementary	DC	80	10	60	M12 connector plug	84	84	40		
NCB50-FP-E2-P1	Flush	50	3-wire	PNP	Normally-open (NO)	DC	80	10	60	Terminal compartment	84	84	40	■	■
NCB50-FP-E2-P1-V1	Flush	50	3-wire	PNP	Normally-open (NO)	DC	80	10	60	M12 connector plug	84	84	40	■	■
NCB50-FP-E2-P4	Flush	50	3-wire	PNP	Normally-open (NO)	DC	80	10	60	Terminal compartment	84	84	40	■	
NCB50-FP-E2-P4-V1	Flush	50	3-wire	PNP	Normally-open (NO)	DC	80	10	60	M12 connector plug	84	84	40	■	
NCB50-FP-Z2-P1	Flush	50	2-wire	2-wire	Normally open/close selectable	DC	80	10	60	Terminal compartment	84	84	40	■	
NCB50-FP-Z4-V1	Flush	50	2-wire	2-wire	Normally-open (NO)	DC	80	10	60	M12 connector plug	84	84	40	■	
NCB50-FP-Z5-V1	Flush	50	2-wire	2-wire	Normally-closed (NC)	DC	80	10	60	M12 connector plug	84	84	40		
NCN50-FP-A2-P1	Non-flush	50	4-wire	PNP	Complementary	DC	80	10	60	Terminal compartment	80	80	40	■	■
NCN50-FP-A2-P1-V1	Non-flush	50	4-wire	PNP	Complementary	DC	80	10	60	M12 connector plug	80	80	40	■	
NCN50-FP-A2-P4	Non-flush	50	4-wire	PNP	Complementary	DC	80	10	60	Terminal compartment	80	80	40	■	
NCN50-FP-W-P1	Non-flush	50	2-wire	2-wire	Normally open/close selectable	AC	20	20	253	Terminal compartment	80	80	40	■	
NCN50-FP-W-P4	Non-flush	50	2-wire	Two-wire	Normally open/close selectable	AC	20	20	253	Terminal compartment	80	80	40	■	
NCN50-FP-Z2-P1	Non-flush	50	2-wire	2-wire	Normally open/close selectable	DC	80	10	60	Terminal compartment	80	80	40	■	
NCN50-FP-Z2-P4	Non-flush	50	2-wire	2-wire	Normally open/close selectable	DC	80	10	60	Terminal compartment	40	80	80		
NCN50-FP-Z4-V1	Non-flush	50	2-wire	2-wire	Normally-open (NO)	DC	80	10	60	M12 connector plug	80	80	40	■	
NJ40P-FP-A2-P1	Non-flush	40	4-wire	PNP	Complementary	DC	150	10	30	Terminal compartment	80	80	40		
NJ50-FP-A-P1	Non-flush	50	4-wire	NPN	Complementary	DC	100	10	30	Terminal compartment	80	80	40		
NJ50-FP-E-P1	Non-flush	50	3-wire	NPN	Normally-open (NO)	DC	100	10	30	Terminal compartment	80	80	40		
NJ60-FP-E2-P2	Non-flush	60	3-wire	PNP	Normally-open (NO)	DC	20	10	30	Terminal compartment	80	80	40		



Accessories	
V1-G-2M-PUR	Single-ended female cordset, M12, 4-pin, PUR cable
V1-W-2M-PUR	Single-ended female cordset, M12, 4-pin, PUR cable

FPS Series

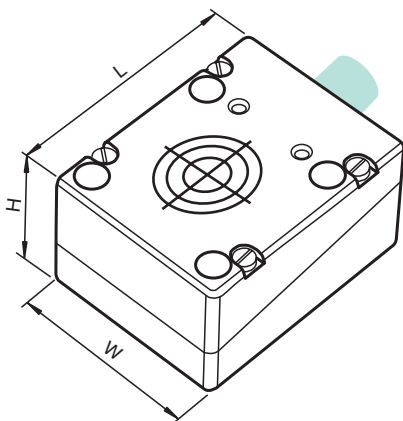


Standard Technical Data

Connection type	Terminal compartment
Housing length L	77 mm
Housing width W	60 mm
Housing height H	41 mm

For detailed data and description, see the datasheet. Further products can be found online at www.pepperl-fuchs.com.

Model number	Type of installation	Detection range [mm]	Output type	Output type	Switching function	Voltage type	Switching frequency [Hz]	UB (min)	UB (max)
NBB25-FPS-A2	Flush	25	4-wire	PNP	Complementary	DC	70	10	30
NBN30-FPS-A2	Non-flush	30	4-wire	PNP	Complementary	DC	50	10	30
NBN30-FPS-E5	Non-flush	30	3-wire	PNP	Normally open/close selectable	DC	50	10	65
NBN30-FPS-UU	Non-flush	30	2-wire	2-wire	Normally open/close selectable	AC/DC	25	20	265





VariKont L2/L3 Series



Standard Technical Data

Housing width W	40 mm
Housing height H	40 mm
UL	■

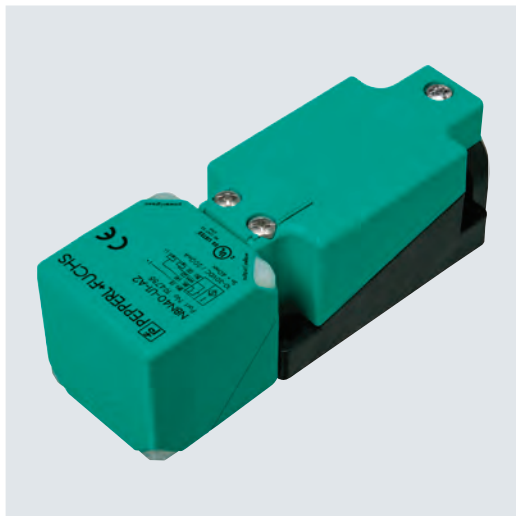
For detailed data and description, see the datasheet. Further products can be found online at www.pepperl-fuchs.com.

Model number	Type of installation	Detection range [mm]	Output type	Output type	Switching function	Voltage type	Switching frequency [Hz]	UB (min)	UB (max)	Connection type	Length L	CCC	CSA	EAC
NBB20-L2-A0-V1	Flush	20	4-wire	NPN	Complementary	DC	440	10	30	M12 connector plug	67			
NBB20-L2-A2-V1	Flush	20	4-wire	PNP	Complementary	DC	440	10	30	M12 connector plug	67			■
NBB20-L2-B3-V1	Flush	20	2-wire	AS-Interface	Normally open/close selectable	DC	150	26.5	31.9	M12 connector plug	67		■	
NBB20-L2-B3B-V1	Flush	20	2-wire	AS-Interface	Normally open/close selectable	DC	150	26.5	31.9	M12 connector plug	67		■	
NBB20-L2-E0-V1	Flush	20	3-wire	NPN	Normally-open (NO)	DC	440	10	30	M12 connector plug	67			
NBB20-L2-E2-V1	Flush	20	3-wire	PNP	Normally-open (NO)	DC	440	10	30	M12 connector plug	67			■
NBB20-L2-E3-V1	Flush	20	3-wire	PNP	Normally-closed (NC)	DC	440	10	30	M12 connector plug	67			
NBB20-L2-Z0-V1	Flush	20	2-wire	2-wire	Normally-open (NO)	DC	30	5	30	M12 connector plug	67			
NBB20-L2-Z4-V1	Flush	20	2-wire	2-wire	Normally-open (NO)	DC	30	3.8	30	M12 connector plug	67		■	
NBB20-L2-Z5-V1	Flush	20	2-wire	2-wire	Normally-closed (NC)	DC	30	3.8	30	M12 connector plug	67		■	
NBB20-L2M-A0-V1	Flush	20	4-wire	NPN	Complementary	DC	440	10	30	M12 connector plug	67			
NBB20-L2M-A2-V1	Flush	20	4-wire	PNP	Complementary	DC	440	10	30	M12 connector plug	67			■
NBB20-L2M-E0-V1	Flush	20	3-wire	NPN	Normally-open (NO)	DC	440	10	30	M12 connector plug	67			
NBB20-L2M-E2-V1	Flush	20	3-wire	PNP	Normally-open (NO)	DC	440	10	30	M12 connector plug	67			■
NBB20-L2M-E34-V1	Flush	20	3-wire	PNP	Normally-closed (NC)	DC	440	10	30	M12 connector plug	67			
NBB20-L3M-US-V12	Flush	20	2-wire	2-wire	Normally-open (NO)	AC/DC	30	20	300	1/2 inch connector plug	68	■	■	
NBB20-L3M-US-V93	Flush	20	2-wire	2-wire	Normally-open (NO)	AC/DC	30	20	300	7/8 inch connector plug	76	■	■	
NBN30-L2-A2-V1	Non-flush	30	4-wire	PNP	Complementary	DC	230	10	30	M12 connector plug	67			
NBN30-L2-B3B-V1	Non-flush	30	2-wire	AS-Interface	Normally open/close selectable	DC	100	26.5	31.9	M12 connector plug	67		■	
NBN30-L2-E2-V1	Non-flush	30	3-wire	PNP	Normally-open (NO)	DC	230	10	30	M12 connector plug	67			
NBN40-L2-A0-V1	Non-flush	40	4-wire	NPN	Complementary	DC	180	10	30	M12 connector plug	67			
NBN40-L2-A2-V1	Non-flush	40	4-wire	PNP	Complementary	DC	180	10	30	M12 connector plug	67			■
NBN40-L2-B3-V1	Non-flush	40	2-wire	AS-Interface	Normally open/close selectable	DC	50	26.5	31.9	M12 connector plug	67		■	
NBN40-L2-B3B-V1	Non-flush	40	2-wire	AS-Interface	Normally open/close selectable	DC	50	26.5	31.9	M12 connector plug	67		■	
NBN40-L2-E0-V1	Non-flush	40	3-wire	NPN	Normally-open (NO)	DC	180	10	30	M12 connector plug	67			■
NBN40-L2-E2-V1	Non-flush	40	3-wire	PNP	Normally-open (NO)	DC	180	10	30	M12 connector plug	67			■
NBN40-L2-E34-V1	Non-flush	40	3-wire	PNP	Normally-closed (NC)	DC	100	10	30	M12 connector plug	67			
NBN40-L2-Z0-V1	Non-flush	40	2-wire	2-wire	Normally-open (NO)	DC	30	5	30	M12 connector plug	67			
NBN40-L2-Z4-V1	Non-flush	40	2-wire	2-wire	Normally-open (NO)	DC	30	3.8	30	M12 connector plug	67			
NBN40-L2-Z5-V1	Non-flush	40	2-wire	2-wire	Normally-closed (NC)	DC	30	3.8	30	M12 connector plug	67			
NBN40-L2M-A0-V1	Non-flush	40	4-wire	NPN	Complementary	DC	180	10	30	M12 connector plug	67			
NBN40-L2M-A2-V1	Non-flush	40	4-wire	PNP	Complementary	DC	180	10	30	M12 connector plug	67			■
NBN40-L2M-E0-V1	Non-flush	40	3-wire	NPN	Normally-open (NO)	DC	180	10	30	M12 connector plug	67			
NBN40-L2M-E2-V1	Non-flush	40	3-wire	PNP	Normally-open (NO)	DC	180	10	30	M12 connector plug	67			
NBN40-L3M-A2-C3-V1	Non-flush	40	4-wire	PNP	Complementary	DC	5	10	30	M12 connector plug	67			
NBN40-L3M-US-V12	Non-flush	40	2-wire	2-wire	Normally-open (NO)	AC/DC	30	20	300	1/2 inch connector plug	68	■	■	
NRN40-L3K-A2-V1	Non-flush	40	4-wire	PNP	Complementary	DC	180	10	30	M12 connector plug	67			





VariKont U1 Series



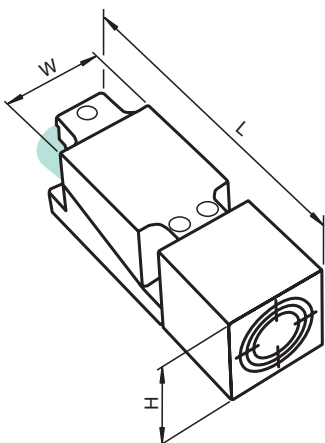
Standard Technical Data

UL

For detailed data and description, see the datasheet. Further products can be found online at www.pepperl-fuchs.com.

Model number	Type of installation	Detection range [mm]	Output type	Output type	Switching function	Voltage type	Switching frequency [Hz]	UB (min)	UB (max)	Connection type	Length L	Width W	Height H	CCC	CSA	EAC
NBB15-U1-A0	Flush	15	4-wire	NPN	Complementary	DC	560	10	30	Terminal compartment	118	40	40			
NBB15-U1-A2	Flush	15	4-wire	PNP	Complementary	DC	560	10	30	Terminal compartment	118	40	40			■
NBB15-U1-A2-V1	Flush	15	4-wire	PNP	Complementary	DC	560	10	30	M12 connector plug	118	40	40			
NBB15-U1-E0	Flush	15	3-wire	NPN	Normally-open (NO)	DC	560	10	30	Terminal compartment	118	40	40			
NBB15-U1-E1	Flush	15	3-wire	NPN	Normally-closed (NC)	DC	560	10	30	Terminal compartment	118	40	40			
NBB15-U1-E2	Flush	15	3-wire	PNP	Normally-open (NO)	DC	560	10	30	Terminal compartment	118	40	40			■
NBB15-U1-E2-V1	Flush	15	3-wire	PNP	Normally-open (NO)	DC	560	10	30	M12 connector plug	118	40	40			
NBB15-U1-E3	Flush	15	3-wire	PNP	Normally-closed (NC)	DC	560	10	30	Terminal compartment	118	40	40			
NBB15-U1-Z2	Flush	15	2-wire	2-wire	Normally open/close selectable	DC	400	5	60	Terminal compartment	118	40	40	■		■
NJ15+U1+DW1-1	Flush	15	3-wire	PNP	Normally-open (NO)	DC	1	15	60	Terminal compartment	118	40	40	■	■	
NJ15+U1+DW1-10	Flush	15	3-wire	PNP	Normally-open (NO)	DC	10	15	60	Terminal compartment	118	40	40	■	■	
NJ15+U1+DW1-100	Flush	15	3-wire	PNP	Normally-open (NO)	DC	100	15	60	Terminal compartment	118	40	40	■	■	
NBB20-U1-A0	Flush	20	4-wire	NPN	Complementary	DC	440	10	30	Terminal compartment	118	40	40			
NBB20-U1-A2	Flush	20	4-wire	PNP	Complementary	DC	440	10	30	Terminal compartment	118	40	40			■
NBB20-U1-A2-V1	Flush	20	4-wire	PNP	Complementary	DC	440	10	30	M12 connector plug	118	40	40			
NBB20-U1-B3B	Flush	20	2-wire	AS-Interface	Normally open/close selectable	DC	150	26.5	31.9	Terminal compartment	118	40	40		■	
NBB20-U1-E0	Flush	20	3-wire	NPN	Normally-open (NO)	DC	440	10	30	Terminal compartment	118	40	40			
NBB20-U1-E1	Flush	20	3-wire	NPN	Normally-closed (NC)	DC	440	10	30	Terminal compartment	118	40	40			
NBB20-U1-E2	Flush	20	3-wire	PNP	Normally-open (NO)	DC	440	10	30	Terminal compartment	118	40	40			■
NBB20-U1-E2-V1	Flush	20	3-wire	PNP	Normally-open (NO)	DC	440	10	30	M12 connector plug	118	40	40			
NBB20-U1-E3	Flush	20	3-wire	PNP	Normally-closed (NC)	DC	440	10	30	Terminal compartment	118	40	40			
NBB20-U1-UU	Flush	20	2-wire	2-wire	Normally open/close selectable	AC/DC	100	20	300	Terminal compartment	118	40	40	■		
NBB20-U1-Z2	Flush	20	2-wire	2-wire	Normally open/close selectable	DC	250	5	60	Terminal compartment	118	40	40	■		■
NJ20P+U1+A2	Non-flush	20	4-wire	PNP	Complementary	DC	200	10	30	Terminal compartment	118	40	40		■	
NBN30-U1-A0	Non-flush	30	4-wire	NPN	Complementary	DC	230	10	30	Terminal compartment	118	40	40			
NBN30-U1-A2	Non-flush	30	4-wire	PNP	Complementary	DC	230	10	30	Terminal compartment	118	40	40			■
NBN30-U1-A2-V1	Non-flush	30	4-wire	PNP	Complementary	DC	230	10	30	M12 connector plug	118	40	40			
NBN30-U1-E0	Non-flush	30	3-wire	NPN	Normally-open (NO)	DC	230	10	30	Terminal compartment	118	40	40			
NBN30-U1-E1	Non-flush	30	3-wire	NPN	Normally-closed (NC)	DC	230	10	30	Terminal compartment	118	40	40			
NBN30-U1-E2	Non-flush	30	3-wire	PNP	Normally-open (NO)	DC	230	10	30	Terminal compartment	118	40	40			
NBN30-U1-E2-V1	Non-flush	30	3-wire	PNP	Normally-open (NO)	DC	230	10	30	M12 connector plug	118	40	40			
NBN30-U1-E3	Non-flush	30	3-wire	PNP	Normally-closed (NC)	DC	230	10	30	Terminal compartment	118	40	40			
NBN30-U1-Z2	Non-flush	30	2-wire	2-wire	Normally open/close selectable	DC	150	5	60	Terminal compartment	118	40	40	■		
NJ30P+U1+A2	Non-flush	30	4-wire	PNP	Complementary	DC	150	10	30	Terminal compartment	128	55	55		■	
NJ30+U1+DW1-1	Non-flush	30	3-wire	PNP	Normally-open (NO)	DC	1	15	60	Terminal compartment	118	40	40		■	
NJ30+U1+DW1-10	Non-flush	30	3-wire	PNP	Normally-open (NO)	DC	10	15	60	Terminal compartment	118	40	40		■	
NBN40-U1-A0	Non-flush	40	4-wire	NPN	Complementary	DC	180	10	30	Terminal compartment	118	40	40			
NBN40-U1-A2	Non-flush	40	4-wire	PNP	Complementary	DC	180	10	30	Terminal compartment	118	40	40			■

Model number	Type of installation	Detection range [mm]	Output type	Output type	Switching function	Voltage type	Switching frequency [Hz]	UB (min)	UB (max)	Connection type	Length L	Width W	Height H	CCC	CSA	EAC
NBN40-U1-A2-V1	Non-flush	40	4-wire	PNP	Complementary	DC	180	10	30	M12 connector plug	118	40	40			
NBN40-U1-B3B	Non-flush	40	2-wire	AS-Interface	Normally open/close selectable	DC	150	26.5	31.9	Terminal compartment	118	40	40		■	
NBN40-U1-E0	Non-flush	40	3-wire	NPN	Normally-open (NO)	DC	180	10	30	Terminal compartment	118	40	40			
NBN40-U1-E1	Non-flush	40	3-wire	NPN	Normally-closed (NC)	DC	180	10	30	Terminal compartment	118	40	40			
NBN40-U1-E1-V1	Non-flush	40	3-wire	NPN	Normally-closed (NC)	DC	180	10	30	M12 connector plug	118	40	40			
NBN40-U1-E2	Non-flush	40	3-wire	PNP	Normally-open (NO)	DC	180	10	30	Terminal compartment	118	40	40			■
NBN40-U1-E2-V1	Non-flush	40	3-wire	PNP	Normally-open (NO)	DC	180	10	30	M12 connector plug	118	40	40			
NBN40-U1-E3	Non-flush	40	3-wire	PNP	Normally-closed (NC)	DC	180	10	30	Terminal compartment	118	40	40			
NBN40-U1-UU	Non-flush	40	2-wire	2-wire	Normally open/close selectable	AC/DC	100	20	300	Terminal compartment	118	40	40	■		
NBN40-U1-Z2	Non-flush	40	2-wire	2-wire	Normally open/close selectable	DC	100	5	60	Terminal compartment	118	40	40	■		
NBN40-U1L-A0	Non-flush	40	4-wire	NPN	Complementary	DC	100	10	30	Terminal compartment	128	55	55			
NBN40-U1L-A2	Non-flush	40	4-wire	PNP	Complementary	DC	100	10	30	Terminal compartment	128	55	55			
NBN40-U1L-A2-V1	Non-flush	40	4-wire	PNP	Complementary	DC	100	10	30	M12 connector plug	128	55	55			
NBN40-U1L-E2	Non-flush	40	3-wire	PNP	Normally-open (NO)	DC	100	10	30	Terminal compartment	128	55	55			
NBN40-U1L-UU	Non-flush	40	2-wire	2-wire	Normally open/close selectable	AC/DC	25	20	300	Terminal compartment	128	55	55			
NBN40-U1L-Z2	Non-flush	40	2-wire	Two-wire	Normally open/close selectable	DC	100	5	60	Terminal compartment	128	55	55		■	
NJ40+U1+E	Non-flush	40	3-wire	NPN	Normally-open (NO)	DC	100	10	60	Terminal compartment	128	55	55	■	■	
NJ40+U1+E2	Non-flush	40	3-wire	PNP	Normally-open (NO)	DC	100	10	60	Terminal compartment	128	55	55	■	■	■
NJ40+U1+E2-V1	Non-flush	40	3-wire	PNP	Normally-open (NO)	DC	100	10	60	M12 connector plug	128	55	55	■	■	



Accessories	
MH 04-2681F	Mounting aid for VariKont, +U1+, and +U9* sensors
MHW 01	Modular mounting bracket
V1-G-2M-PUR	Single-ended female cordset, M12, 4-pin, PUR cable
V1-M20-80	Receptacle, M12/M20; plastic version
V1-W-2M-PUR	Single-ended female cordset, M12, 4-pin, PUR cable



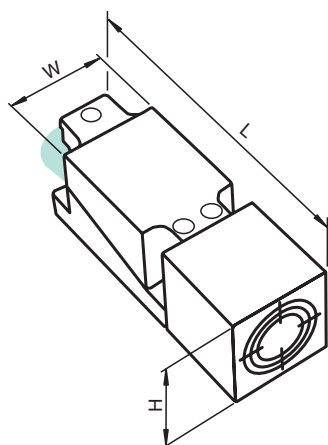
VariKont U2 Series



Standard Technical Data	
Connection type	Terminal compartment
Housing length L	118 mm
Housing width W	40 mm
Housing height H	40 mm
UL	■

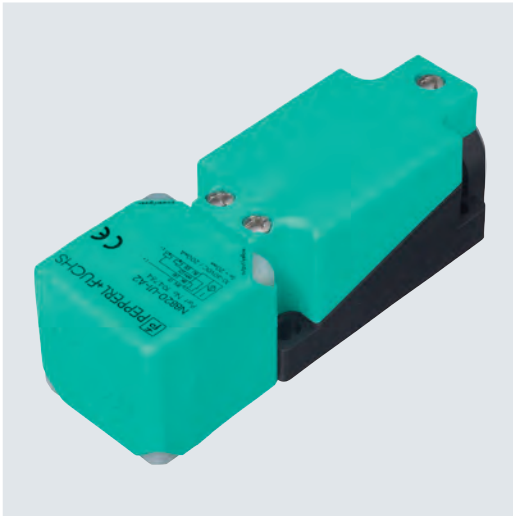
For detailed data and description, see the datasheet. Further products can be found online at www.pepperl-fuchs.com.

Model number	Type of installation	Detection range [mm]	Output type	Output type	Switching function	Voltage type	Switching frequency [Hz]	UB (min)	UB (max)	CCC
NBB15-U2-A0	Flush	15	4-wire	NPN	Complementary	DC	560	10	30	
NBB20-U2-A0	Flush	20	4-wire	NPN	Complementary	DC	440	10	30	
NBB20-U2-A2	Flush	20	4-wire	PNP	Complementary	DC	440	10	30	
NBB20-U2-E0	Flush	20	3-wire	NPN	Normally-open (NO)	DC	440	10	30	
NBB20-U2-E2	Flush	20	3-wire	PNP	Normally-open (NO)	DC	440	10	30	
NBB20-U2-UU	Flush	20	2-wire	2-wire	Normally open/close selectable	AC/DC	100	20	300	■
NBN30-U2-A2	Non-flush	30	4-wire	PNP	Complementary	DC	150	10	30	
NBN40-U2-A2	Non-flush	40	4-wire	PNP	Complementary	DC	180	10	30	
NBN40-U2-E2	Non-flush	40	3-wire	PNP	Normally-open (NO)	DC	180	10	30	
NBN40-U2-UU	Non-flush	40	2-wire	2-wire	Normally open/close selectable	AC/DC	100	20	300	■



Accessories	
MH 04-2681F	Mounting aid for VariKont, +U1+, and +U9* sensors
MHW 01	Modular mounting bracket

VariKont U3 Series

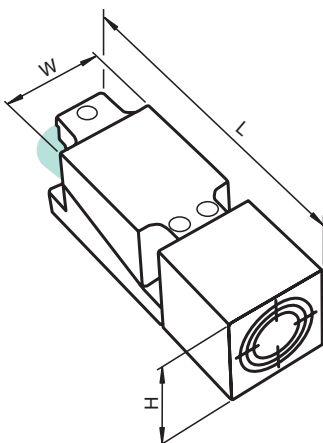


Standard Technical Data

Connection type	Terminal compartment
Housing length L	118 mm
Housing width W	40 mm
Housing height H	40 mm
UL	■

For detailed data and description, see the datasheet. Further products can be found online at www.pepperl-fuchs.com.

Model number	Type of installation	Detection range [mm]	Output type	Output type	Switching function	Voltage type	Switching frequency [Hz]	UB (min)	UB (max)	CCC
NBB20-U3-UU	Flush	20	2-wire	2-wire	Normally open/close selectable	AC/DC	100	20	300	■
NBB20-U3-A2	Flush	20	4-wire	PNP	Complementary	DC	440	10	30	
NBN40-U3-UU	Non-flush	40	2-wire	2-wire	Normally open/close selectable	AC/DC	100	20	300	■



Accessories

MHW 01	Modular mounting bracket
---------------	--------------------------

VariKont U4 Series



Standard Technical Data

UL

For detailed data and description, see the datasheet. Further products can be found online at www.pepperl-fuchs.com.

Model number	Type of installation	Detection range [mm]	Output type	Output type	Switching function	Voltage type	Switching frequency [Hz]	UB (min)	UB (max)	Connection type	Length L	Width W	Height H	CCC	CSA
NBB15-U4-A0	Flush	15	4-wire	NPN	Complementary	DC	560	10	30	Terminal compartment	118	40	40		
NBB15-U4-A2	Flush	15	4-wire	PNP	Complementary	DC	560	10	30	Terminal compartment	118	40	40		
NBB15-U4-A2-V1	Flush	15	4-wire	PNP	Complementary	DC	560	10	30	M12 connector plug	118	40	40		
NBB15-U4-E0	Flush	15	3-wire	NPN	Normally-open (NO)	DC	560	10	30	Terminal compartment	118	40	40		
NBB15-U4-E2	Flush	15	3-wire	PNP	Normally-open (NO)	DC	560	10	30	Terminal compartment	118	40	40		
NBB15-U4-E2-V1	Flush	15	3-wire	PNP	Normally-open (NO)	DC	560	10	30	M12 connector plug	118	40	40		
NBB15-U4-Z2	Flush	15	2-wire	2-wire	Normally open/close selectable	DC	400	5	60	Terminal compartment	118	40	40	■	
NBB20-U4-A0	Flush	20	4-wire	NPN	Complementary	DC	440	10	30	Terminal compartment	118	40	40		
NBB20-U4-A2	Flush	20	4-wire	PNP	Complementary	DC	440	10	30	Terminal compartment	118	40	40		
NBB20-U4-A2-V1	Flush	20	4-wire	PNP	Complementary	DC	440	10	30	M12 connector plug	118	40	40		
NBB20-U4-E0	Flush	20	3-wire	NPN	Normally-open (NO)	DC	440	10	30	Terminal compartment	118	40	40		
NBB20-U4-E2	Flush	20	3-wire	PNP	Normally-open (NO)	DC	440	10	30	Terminal compartment	118	40	40		
NBB20-U4-E2-V1	Flush	20	3-wire	PNP	Normally-open (NO)	DC	440	10	30	M12 connector plug	118	40	40		■
NBB20-U4-UU	Flush	20	2-wire	2-wire	Normally open/close selectable	AC/DC	100	20	300	Terminal compartment	118	40	40	■	
NBB20-U4-Z2	Flush	20	2-wire	2-wire	Normally open/close selectable	DC	250	5	60	Terminal compartment	118	40	40	■	
NBN30-U4-A2	Non-flush	30	4-wire	PNP	Complementary	DC	150	10	30		118	40	40		
NBN30-U4-A2-V1	Non-flush	30	4-wire	PNP	Complementary	DC	150	10	30	M12 connector plug	118	40	40		
NBN30-U4-E0	Non-flush	30	3-wire	NPN	Normally-open (NO)	DC	230	10	30	Terminal compartment	118	40	40		
NBN30-U4-E2	Non-flush	30	3-wire	PNP	Normally-open (NO)	DC	230	10	30	Terminal compartment	118	40	40		
NBN30-U4-E2-V1	Non-flush	30	3-wire	PNP	Normally-open (NO)	DC	230	10	30	M12 connector plug	118	40	40		
NBN40-U4-A2	Non-flush	40	4-wire	PNP	Complementary	DC	180	10	30	Terminal compartment	118	40	40		
NBN40-U4-A2-V1	Non-flush	40	4-wire	PNP	Complementary	DC	180	10	30	M12 connector plug	118	40	40		
NBN40-U4-E0	Non-flush	40	3-wire	NPN	Normally-open (NO)	DC	180	10	30	Terminal compartment	118	40	40		
NBN40-U4-E2	Non-flush	40	3-wire	PNP	Normally-open (NO)	DC	180	10	30	Terminal compartment	118	40	40		
NBN40-U4-E2-V1	Non-flush	40	3-wire	PNP	Normally-open (NO)	DC	180	10	30	M12 connector plug	118	40	40		
NBN40-U4-UU	Non-flush	40	2-wire	2-wire	Normally open/close selectable	AC/DC	100	20	300	Terminal compartment	118	40	40	■	
NBN40-U4-Z2	Non-flush	40	2-wire	2-wire	Normally open/close selectable	DC	100	5	60	Terminal compartment	118	40	40	■	
NBN40-U4-Z2-V1	Non-flush	40	2-wire	2-wire	Normally open/close selectable	DC	100	5	60	M12 connector plug	118	40	40	■	
NBN40-U4L-A2	Non-flush	40	4-wire	PNP	Complementary	DC	100	10	30	Terminal compartment	128	55	55		
NBN40-U4L-A2-V1	Non-flush	40	4-wire	PNP	Complementary	DC	100	10	30	M12 connector plug	128	55	55		
NBN40-U4L-UU	Non-flush	40	2-wire	2-wire	Normally open/close selectable	AC/DC	25	20	300	Terminal compartment	128	55	55		
NBN40-U4L-Z2	Non-flush	40	2-wire	2-wire	Normally open/close selectable	DC	100	5	60	Terminal compartment	128	55	55	■	
NJ40+U4+A	Non-flush	40	4-wire	NPN	Complementary	DC	100	10	60	Terminal compartment	128	55	55	■	■
NJ40+U4+E	Non-flush	40	3-wire	NPN	Normally-open (NO)	DC	100	10	60	Terminal compartment	128	55	55	■	■

VariKont U10 Series

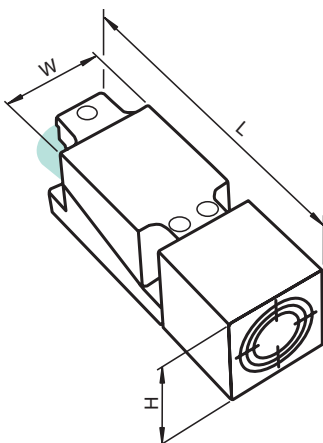


Standard Technical Data

Output type	PNP
Voltage type	DC
Operating voltage (min)	10 V
Operating voltage (max)	30 V
Connection type	Terminal compartment
Housing length L	118 mm
Housing width W	40 mm
Housing height H	40 mm
UL	■

For detailed data and description, see the datasheet. Further products can be found online at www.pepperl-fuchs.com.

Model number	Type of installation	Detection range [mm]	Output type	Switching function	Switching frequency [Hz]
NBB15-U10-A2	Flush	15	4-wire	Complementary	560
NBB15-U10-E2	Flush	15	3-wire	Normally-open (NO)	560
NBB20-U10-A2	Flush	20	4-wire	Complementary	440
NBB20-U10-E2	Flush	20	3-wire	Normally-open (NO)	440
NBN30-U10-E2	Non-flush	30	3-wire	Normally-open (NO)	230
NBN40-U10-E2	Non-flush	40	3-wire	Normally-open (NO)	180

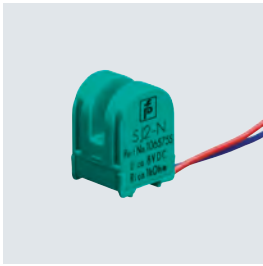


Accessories

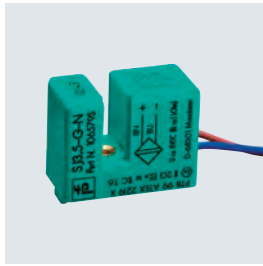
MH 04-2681F	Mounting aid for VariKont, +U1+, and +U9+ sensors
MHW 01	Modular mounting bracket
V1-M20-80	Receptacle, M12/M20; plastic version

Slotted Inductive Proximity Sensors

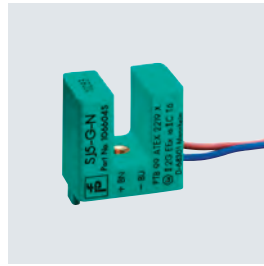
Contents



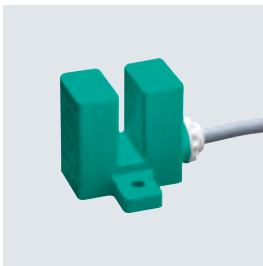
Slot Width 2 mm
Page 71



Slot Width 3.5 mm
Page 72



Slot Width 5 mm
Page 73



Slot Width 10 mm
Page 74

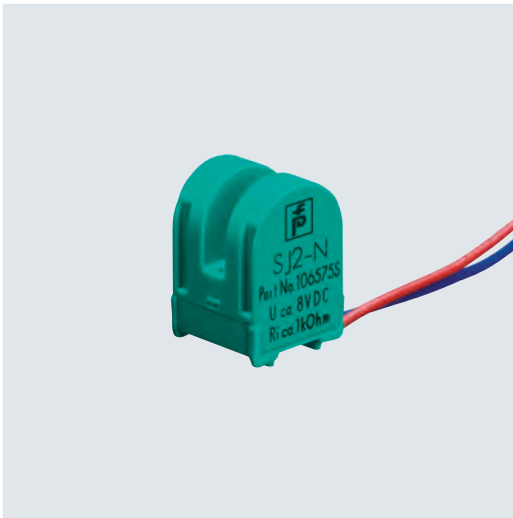


Slot Width 15 mm
Page 75



Slot Width 30 mm
Page 76

Slot Width 2 mm

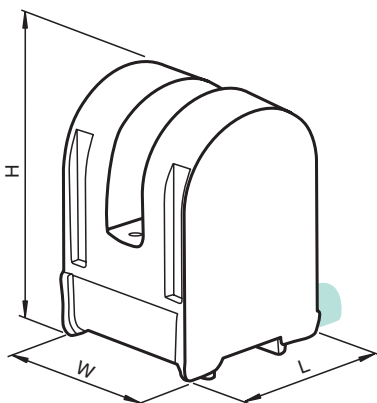


Standard Technical Data

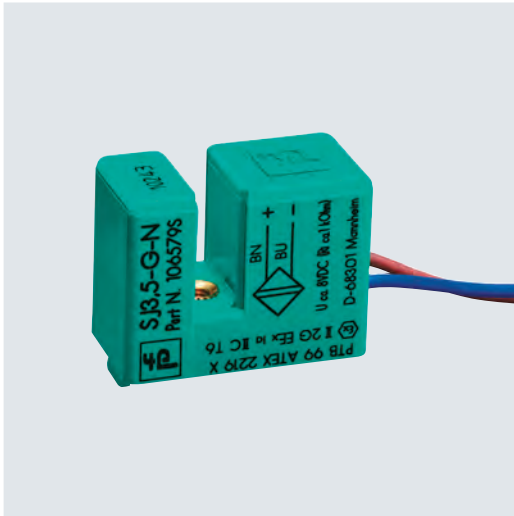
Detection range	2 mm
Voltage type	DC
Cable length	500 mm
Housing length L	8 mm
UL	■

For detailed data and description, see the datasheet. Further products can be found online at www.pepperl-fuchs.com.

Model number	Output type	Output type	Switching function	Switching frequency [Hz]	UB (min)	UB (max)	SIL	Connection type	Cable material	Width W	Height H	ATEX	CSA	EAC	FM
SJ2-N	2-wire	NAMUR	Normally-closed (NC)	5000	8.2	8.2	2	Stranded cable		8	12	■	■	■	■
SB2-Z0 GELB		2-wire	Normally-open (NO)	2000	5	30		Stranded cable		15	13		■		
SC2-N0-GN	2-wire	NAMUR	Normally-closed (NC)	5000	8.2	8.2		Fixed cable	PVC	15	13	■	■		
SC2-N0-YE	2-wire	NAMUR	Normally-closed (NC)	5000	8.2	8.2	2	Stranded cable	PVC	15	13	■	■		
SJ2-SN	2-wire	NAMUR with safety function	Normally-closed (NC)	5000	8.2	8.2	3	Stranded cable		15	13	■		■	■



Slot Width 3.5 mm

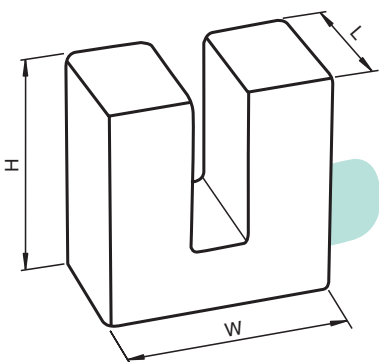


Standard Technical Data

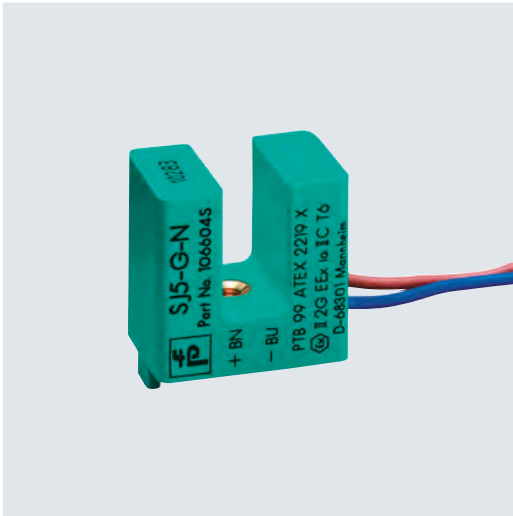
Detection range	3.5 mm
Voltage type	DC
Housing width W	10 mm
Housing height H	15 mm
UL	■

For detailed data and description, see the datasheet. Further products can be found online at www.pepperl-fuchs.com.

Model number	Output type	Output type	Switching function	Switching frequency [Hz]	UB (min)	UB (max)	SIL	Connection type	Cable length [mm]	Cable material	Length L	ATEX	CSA	EAC	FM
SJ3,5-S1N	2-wire	NAMUR with safety function	Normally-open (NO)	2500	8.2	8.2	3	Stranded cable	500		19.5	■		■	■
SJ3,5-SN	2-wire	NAMUR with safety function	Normally-closed (NC)	3000	8.2	8.2	3	Stranded cable	500		19.5	■		■	■
SB3,5-A2	3-wire	PNP	Complementary	3000	10	30		Fixed cable	500	PVC	19		■		
SB3,5-E2	3-wire	PNP	Normally-open (NO)	3000	10	30		Stranded cable	500		19.5		■		
SB3,5-E2-BU	3-wire	PNP	Normally-open (NO)	3000	10	30		Stranded cable	500		19.5		■		
SB3,5-G-E2	3-wire	PNP	Normally-open (NO)	2000	10	30		Stranded cable	5000	PVC	19.5		■		
SB3,5-G-E2-2M	3-wire	PNP	Normally-open (NO)	2000	10	30		Fixed cable	2000	PVC	19.5		■		
SC3,5-G-N0	2-wire	NAMUR	Normally-closed (NC)	3000	8.2	8.2	2	Stranded cable	5000	PVC	19.5	■	■	■	
SC3,5-N0-BU	2-wire	NAMUR	Normally-closed (NC)	3000	8.2	8.2	2	Stranded cable	500		19.5	■	■		
SC3,5-N0-WH	2-wire	NAMUR	Normally-closed (NC)	3000	8.2	8.2	2	Stranded cable	500		19.5	■	■	■	
SC3,5-N0-YE	2-wire	NAMUR	Normally-closed (NC)	3000	8.2	8.2	2	Stranded cable	500	PVC	19.5	■	■	■	■
SJ3,5-G-N	2-wire	NAMUR	Normally-closed (NC)	3000	8.2	8.2		Stranded cable	500		19.5	■	■		
SJ3,5-H	2-wire	NAMUR	Normally-closed (NC)	3000	8.2	8.2		Stranded cable	500	PVC	19.5	■	■		■
SJ3,5-N	2-wire	NAMUR	Normally-closed (NC)	3000	8.2	8.2		Stranded cable	500		19.5	■	■	■	■
SJ3,5-N LED	2-wire	NAMUR	Normally-closed (NC)	3000	8.2	8.2		Stranded cable	500		19.5	■	■		
SJ3,5-N-BU	2-wire	NAMUR	Normally-closed (NC)	3000	8.2	8.2		Stranded cable	500		19.5	■	■		
SJ3,5-N-GN	2-wire	NAMUR	Normally-closed (NC)	3000	8.2	8.2		Stranded cable	500		19.5	■	■		
SJ3,5-N-YE	2-wire	NAMUR	Normally-closed (NC)	3000	8.2	8.2		Stranded cable	500		19.5	■	■		



Slot Width 5 mm

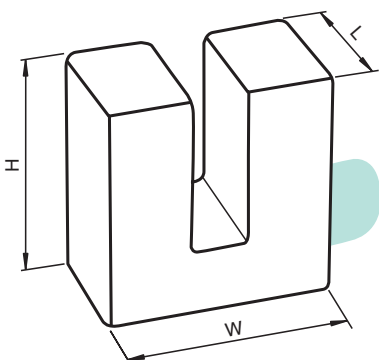


Standard Technical Data

Detection range	5 mm
Output type	2-wire
Output type	NAMUR
Switching function	Normally-closed (NC)
Voltage type	DC
Switching frequency	2000 Hz
Operating voltage (min)	8.2 V
Operating voltage (max)	8.2 V
ATEX	■
CSA	■
UL	■

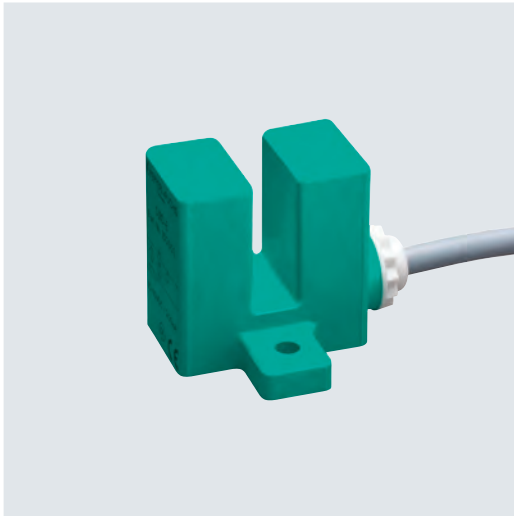
For detailed data and description, see the datasheet. Further products can be found online at www.pepperl-fuchs.com.

Model number	SIL	Connection type	Cable length [mm]	Cable material	Length L	Width W	Height H	EAC	FM
SJ5-N	2	Stranded cable	500		15	10	15	■	■
SJ5-G-N		Stranded cable	500		15	10	15		
SJ5-K-N		Fixed cable	2000	PVC	29	32	31		■





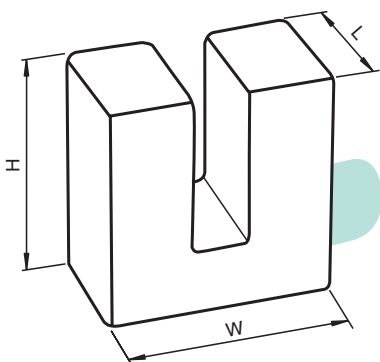
Slot Width 10 mm



Standard Technical Data	
Detection range	10 mm
Voltage type	DC
Switching frequency	1000 Hz
Connection type	Fixed cable
Cable material	PVC
Housing length L	44 mm
Housing width W	55 mm
Housing height H	45 mm
CSA	■
UL	■

For detailed data and description, see the datasheet. Further products can be found online at www.pepperl-fuchs.com.

Model number	Output type	Output type	Switching function	UB (min)	UB (max)	Cable length [mm]	ATEX	FM
SJ10-N	2-wire	NAMUR	Normally-closed (NC)	8.2	8.2	2000	■	■
SJ10-N-5M	2-wire	NAMUR	Normally-closed (NC)	8.2	8.2	5000	■	
SJ10-E	3-wire	NPN	Normally-open (NO)	10	30	2000		
SJ10-E2	3-wire	PNP	Normally-open (NO)	10	30	2000		



Slot Width 15 mm

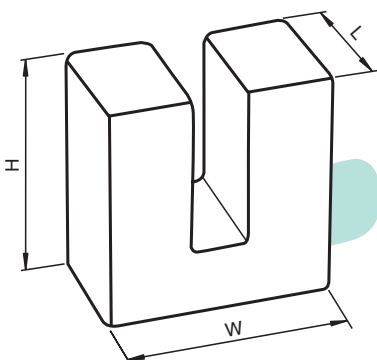


Standard Technical Data

Detection range	15 mm
Housing length L	48 mm
Housing width W	30 mm
Housing height H	60 mm
CSA	■
UL	■

For detailed data and description, see the datasheet. Further products can be found online at www.pepperl-fuchs.com.

Model number	Output type	Output type	Switching function	Voltage type	Switching frequency [Hz]	UB (min)	UB (max)	Connection type	Cable length [mm]	Cable material	CCC
SJ15-WO	2-wire	2-wire	Normally-closed (NC)	AC	25	20	253	Fixed cable	2000	PVC	■
SJ15-WS	2-wire	2-wire	Normally-open (NO)	AC	25	20	253	Fixed cable	2000	PVC	■
SJ15-A	4-wire	NPN	Complementary	DC	500	10	30	Fixed cable	2000	PVC	
SJ15-A-5M	4-wire	NPN	Complementary	DC	500	10	30	Fixed cable	5000	PVC	
SJ15-A2	4-wire	PNP	Complementary	DC	500	10	30	Fixed cable	2000	PVC	
SJ15-A2-V1	4-wire	PNP	Complementary	DC	500	10	30	M12 connector plug			
SJ15-E	3-wire	NPN	Normally-open (NO)	DC	500	10	30	Fixed cable	2000	PVC	
SJ15-E2	3-wire	PNP	Normally-open (NO)	DC	500	10	30	Fixed cable	2000	PVC	



Accessories

V1-G-2M-PUR	Single-ended female cordset, M12, 4-pin, PUR cable
V1-W-2M-PUR	Single-ended female cordset, M12, 4-pin, PUR cable



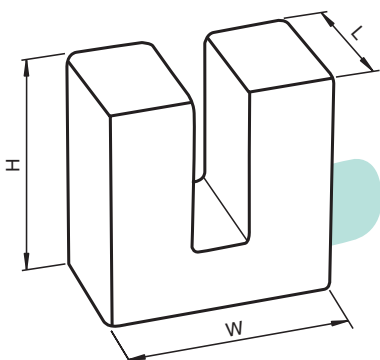
Slot Width 30 mm



Standard Technical Data	
Detection range	30 mm
Voltage type	DC
Switching frequency	150 Hz
Connection type	Fixed cable
Cable length	2000 mm
Cable material	PVC
Housing length L	84 mm
Housing width W	51 mm
Housing height H	110 mm
CSA	■
UL	■

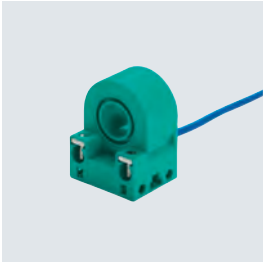
For detailed data and description, see the datasheet. Further products can be found online at www.pepperl-fuchs.com.

Model number	Output type	Output type	Switching function	UB (min)	UB (max)	ATEX	FM
SJ30-N	2-wire	NAMUR	Normally-closed (NC)	8.2	8.2	■	■
SJ30-A	4-wire	NPN	Complementary	10	30		
SJ30-A2	4-wire	PNP	Complementary	10	30		

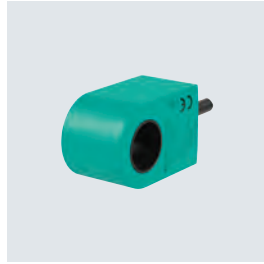


Ring-Shaped Inductive Proximity Sensors

Contents



Ring Diameter 10 mm
Page 78



Ring Diameter 15 mm
Page 79



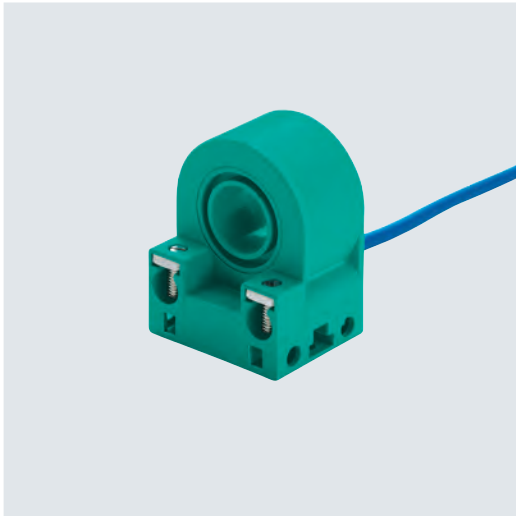
Ring Diameter 21 mm
Page 80



Ring Diameter 43 mm
Page 81



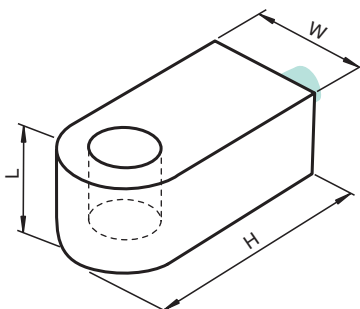
Ring Diameter 10 mm



Standard Technical Data	
Detection range	10 mm
Output type	2-wire
Output type	NAMUR
Switching function	Normally-closed (NC)
Voltage type	DC
Operating voltage (min)	8.2 V
Operating voltage (max)	8.2 V
Connection type	Fixed cable
Cable length	2000 mm
Cable material	PVC
Housing length L	20 mm
Housing width W	25 mm
Housing height H	32.5 mm
ATEX	■
CSA	■
FM	■
UL	■

For detailed data and description, see the datasheet. Further products can be found online at www.pepperl-fuchs.com.

Model number	Switching frequency [Hz]
RC10-14-N0	2000
RC10-14-N3	





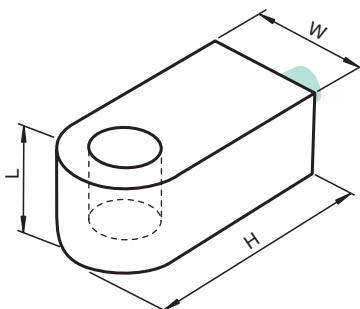
Ring Diameter 15 mm



Standard Technical Data	
Special features	Ex sensor
Detection range	15 mm
Output type	2-wire
Output type	NAMUR
Switching function	Normally-closed (NC)
Voltage type	DC
Operating voltage (min)	8.2 V
Operating voltage (max)	8.2 V
Connection type	Fixed cable
Cable material	PVC
ATEX	■
CSA	■
UL	■

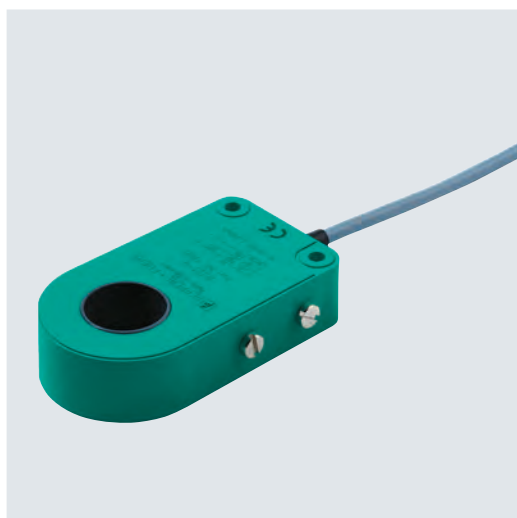
For detailed data and description, see the datasheet. Further products can be found online at www.pepperl-fuchs.com.

Model number	Switching frequency [Hz]	Cable length [mm]	Ambient temperature (min)	Ambient temperature (max)	Length L	Width W	Height H	FM	ATEX
RC15-14-N0	1500	2000	-20	65	20	25	32.5	■	■
RC15-14-N3		2000	-20	70	20	25	32.5	■	■
RJ15-14-N	1500	2000	-25	70	20	25	32.5		
RJ15-14-N-5M	1500	5000	-25	70	20	25	32.5		
RJ15-N	1500	2000	-25	70	25	29	45	■	





Ring Diameter 21 mm

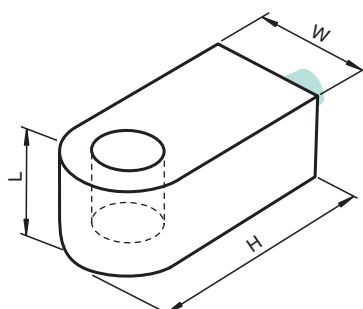


Standard Technical Data	
Detection range	21 mm
Output type	3-wire
Output type	PNP
Switching function	Normally-open (NO)
Voltage type	DC
Switching frequency	1000 Hz
Operating voltage (min)	10 V
Operating voltage (max)	30 V
Cable material	PVC
Housing length L	20 mm
Housing width W	45 mm
Housing height H	80 mm
CSA	■
UL	■

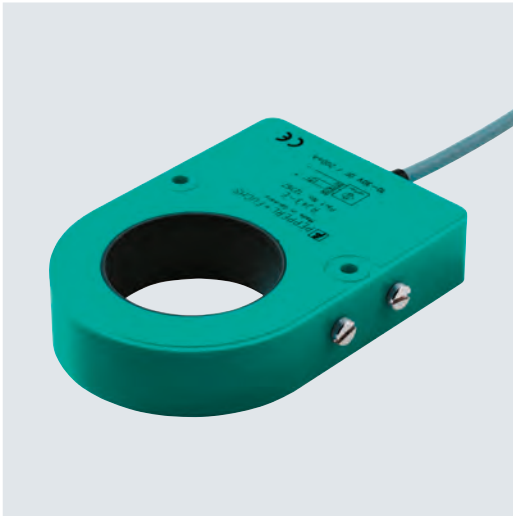
For detailed data and description, see the datasheet. Further products can be found online at www.pepperl-fuchs.com.

Model number	Connection type	Cable length [mm]
RJ21-E2	Fixed cable	2000
RJ21-E2-0,1M-V1	Fixed cable with M12 plug	100

Accessories	
V1-G-2M-PUR	Single-ended female cordset, M12, 4-pin, PUR cable
V1-W-2M-PUR	Single-ended female cordset, M12, 4-pin, PUR cable



Ring Diameter 43 mm



Standard Technical Data

Detection range	43 mm
Output type	3-wire
Output type	PNP
Switching function	Normally-open (NO)
Voltage type	DC
Switching frequency	500 Hz
Operating voltage (min)	10 V
Operating voltage (max)	30 V
Connection type	Fixed cable
Cable length	2000 mm
Cable material	PVC
Housing length L	20 mm
Housing width W	70 mm
Housing height H	100 mm
CSA	■
UL	■

For detailed data and description, see the datasheet. Further products can be found online at www.pepperl-fuchs.com.

Model number

RJ43-E2

