

L84M, L84C - Micro- and Oil-fog lubricator Excelon® Plus Modular System



- > Port size: 3/8" ... 3/4" (ISO G/PTF)
- > Excelon® Plus design allows in-line installation or modular installation with other Excelon® Plus products
- > Flow sensor provides a nearly constant oil/air ratio over a wide range of flows
- > Double safety lock bowl
- > Metal bowl with prismatic liquid level indicator lens
- > Light weight Polycarbonate bowl
- > All round (360°) visibility of sightdome for ease of drip rate setting
- > Choice of two oil delivery systems



Technical features

Medium:

Compressed air only

Maximum supply pressure:

Polycarbonate bowl: 10 bar

(145 psi)

Metal bowl: 20 bar (290 psi)

Bowl

0,2 litre

Port size:

G3/8, G1/2, G3/4,

3/8 PTF, 1/2 PTF, 3/4 PTF

Flow:

Micro-fog : 73 dm³/s

Oil-fog: 91 dm³/s at port size:

1/2", operating pressure: 6,3 bar (91 psi) and Δp: 0,5 bar (7.25 psi)

Start point:

0,94 dm³/s

Ambient/Media temperature:

Polycarbonate bowl:

-10 ... +60°C (14 ... +140°F)

Metal bowl:

-20 ... +65°C (-4 ... +149°F)

Air supply must be dry enough

to avoid ice formation at

temperatures below +2°C

(+35°F).

Materials:

Transparent Bowl : Polycarbonate with Polypropylene Guard.

Metal Bowl: Die cast Aluminium with PA liquid level indicator lens

Body: Die cast aluminium


Body cover: ABS

Sightdome: Transparent PA

Bowl 'o'- ring: Chloroprene

Elastomers: NBR

Technical data L84 - standard models

Symbol	Port size	Lubricator type	Bowl	Weight (kg)	Model
	G3/8	Micro fog	Guarded polycarbonate	0,40	L84M-3GP-EPN
	G1/2	Micro fog	Guarded polycarbonate	0,40	L84M-4GP-EPN
	G3/4	Micro fog	Guarded polycarbonate	0,40	L84M-6GP-EPN
	G3/8	Micro fog	Metal with level indicator	0,53	L84M-3GP-EDN
	G1/2	Micro fog	Metal with level indicator	0,53	L84M-4GP-EDN
	G3/4	Micro fog	Metal with level indicator	0,53	L84M-6GP-EDN
	G3/8	Oil fog	Guarded polycarbonate	0,40	L84C-3GP-EPN
	G1/2	Oil fog	Guarded polycarbonate	0,40	L84C-4GP-EPN
	G3/4	Oil fog	Guarded polycarbonate	0,40	L84C-6GP-EPN
	G3/8	Oil fog	Metal with level indicator	0,53	L84C-3GP-EDN
	G1/2	Oil fog	Metal with level indicator	0,53	L84C-4GP-EDN
	G3/4	Oil fog	Metal with level indicator	0,53	L84C-6GP-EDN

Option selector

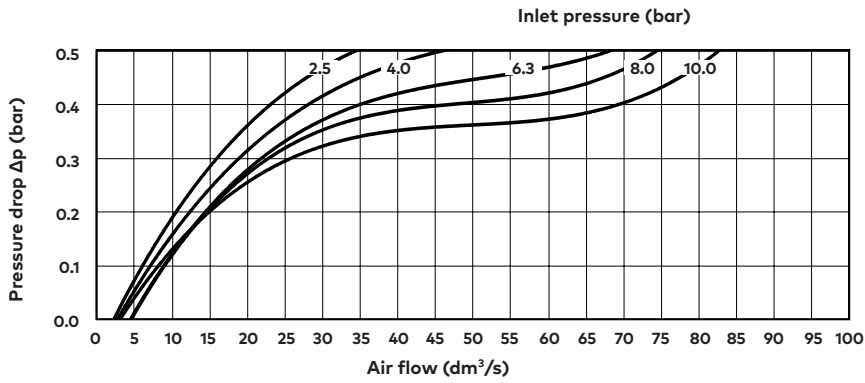
L84★-★★P-E★N

Type	Substitute
Oil fog lubricator	C
Micro fog lubricator	M
Port size	Substitute
3/8"	3
1/2"	4
3/4"	6
Thread form	Substitute
PTF	A
ISO G parallel (standard)	G

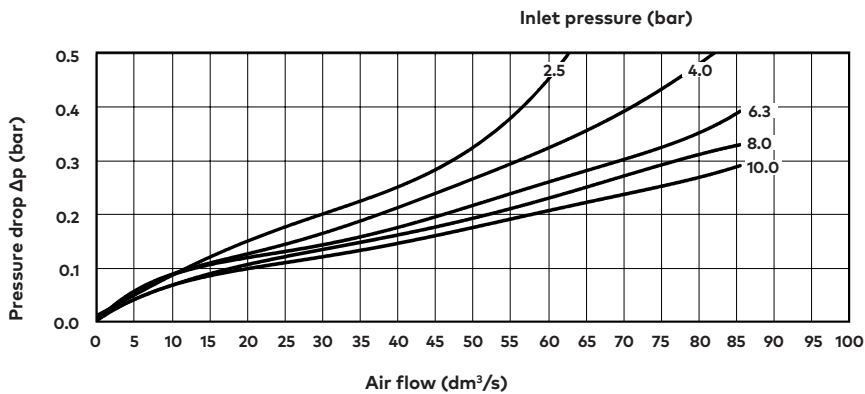
Bowl	Substitute
Metal with liquid level indicator	D
Transparent with guard (standard)	P

Flow characteristics

Micro fog
Port size: 1/2"



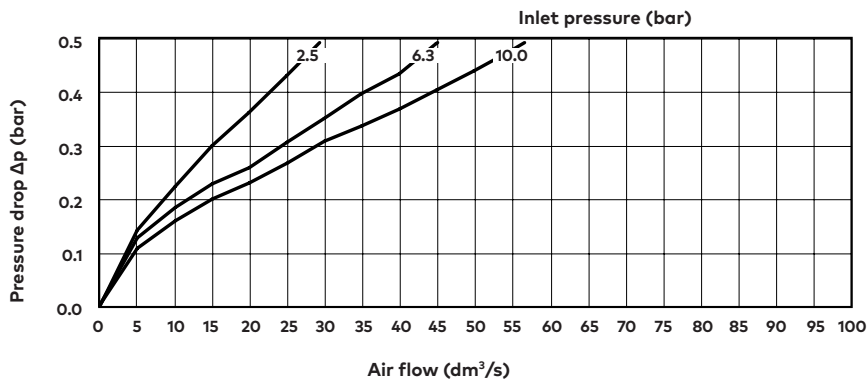
Oil fog
Port size: 1/2"



Flow characteristics

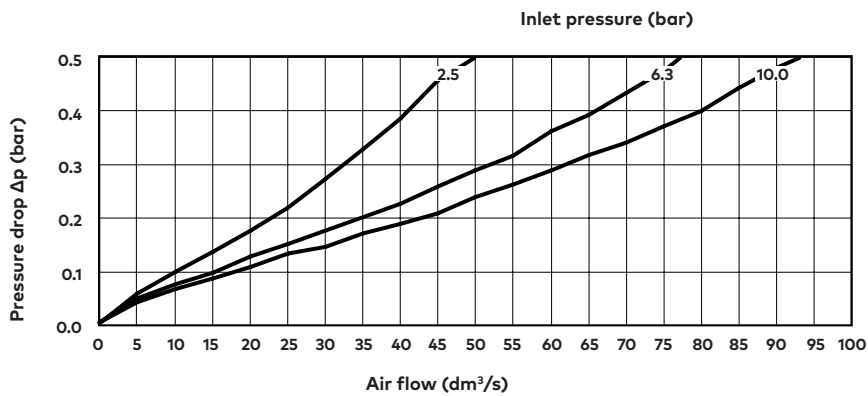
Micro fog

Port size: 3/8"



Oil fog

Port size: 3/8"







Accessories

Wall mounting bracket  Page 6 840024-50KIT	Quikclamp®  Page 6 840014-51KIT	Quikclamp® with bracket assembled  Page 6 840014-52KIT	Hybrid Quikclamp® *1  Page 6 840014-61	Hybrid Quikclamp® with bracket assembled *1  Page 6 840014-62
--	---	--	---	---

*1) To connect new Excelon Plus to old Excelon 74/73 units.
 Having the same hole centres as 74 series mounting bracket.
 A Quikclamp adds 13.6 mm to the overall width of a combination unit

Pressure sensing block 1/4 PTF  Page 6 840016-50KIT	Pressure sensing block G1/4  Page 6 840016-51KIT
---	--

Full flow porting block 3/4" PTF  Page 6 840028-50KIT	Full flow porting block G3/4  Page 6 840028-53KIT	Full flow porting block 3/4" PTF  Page 6 840028-68KIT	Full flow porting block G3/4  Page 6 840028-69KIT
--	--	--	---

Port Adaptors



3/8 PTF	840015-02KIT
1/2 PTF	840015-03KIT
3/4 PTF	840015-04KIT
G3/8	840015-10KIT
G1/2	840015-11KIT
G3/4	840015-12KIT

Pressure switch interface block (18D pressure switch) G1/4



Page 8
 0337717000000000

Pressure switch 18D (0,5 ... 8bar) *1



Page 8
 0881300

Digital pressure switch 51D (-1 ... 10 bar) *2



Page 8
 0860810


Electronic Pressure Sensor – stand alone version *3



Q84G

IO-Link cables





Connection cable M8x1 for intergated digital pressure switch



Description	Cable length (m)	Model
M8 female to M12 male	0,6	NC-084FS-124MS-A
	1,0	NC-084FS-124MS-1
	2,0	NC-084FS-124MS-2
	5,0	NC-084FS-124MS-5
M8 female to free end	5,0	NC-084FS-00000-5

*1) Flanged version. For other pressure ranges, please see data sheet 5.11.001
 *2) For other pressure ranges, please see data sheet 5.11.385
 *3) Q84G standalone electronic pressure sensor module
 see <http://s.norgren.com/digital-gauge-iodd> for data-sheet 8.900.905.

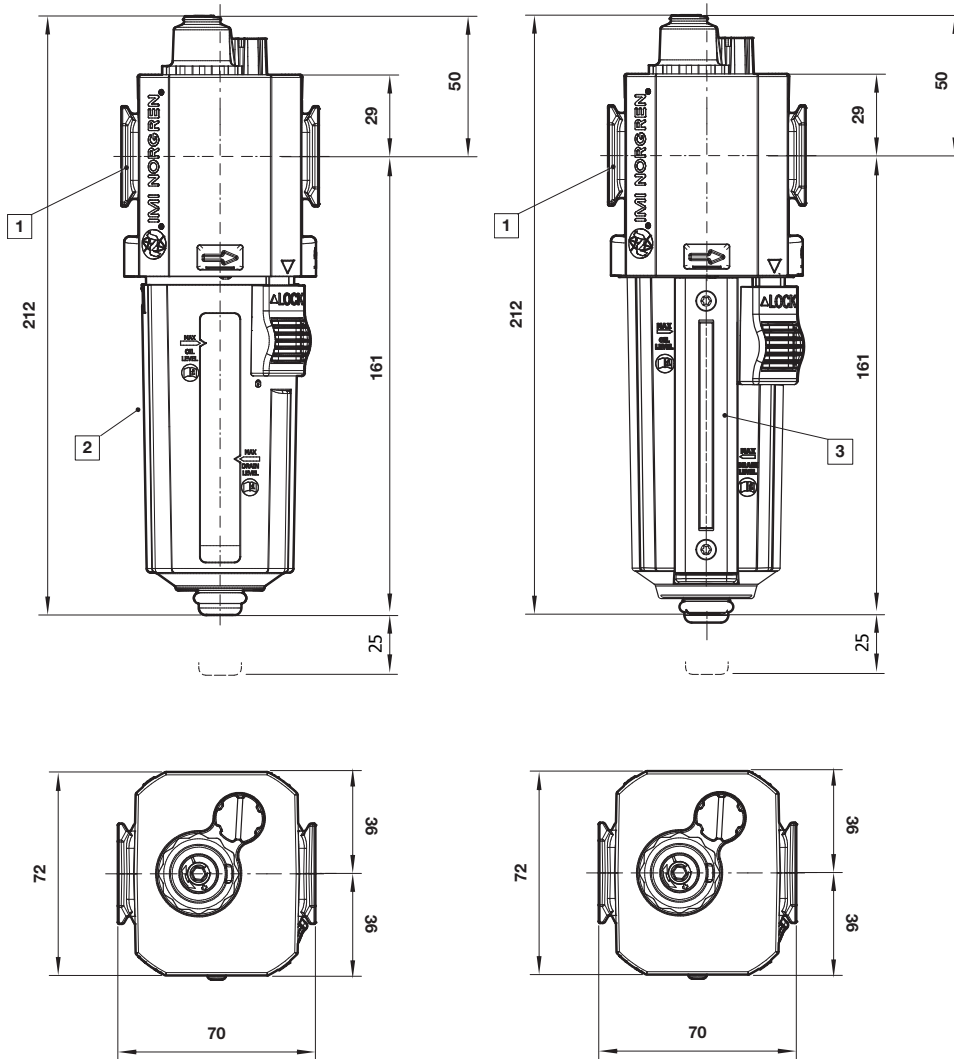
Service kits

Quick fill nipple  18-011-024	Lubricator bowl Guarded Poly  840025-52KIT	Lubricator bowl Metal with sight glass  840003-52KIT	Lubricator sight dome kit  Micro fog (red) 840055-50KIT Oil fog (green) 840055-51KIT
---	--	--	--

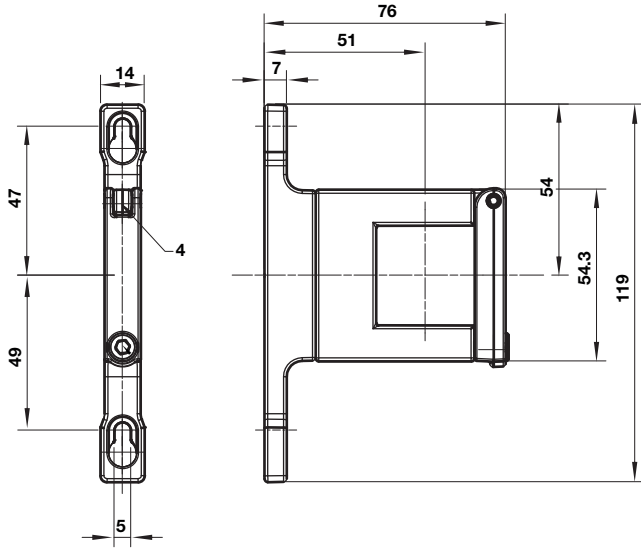
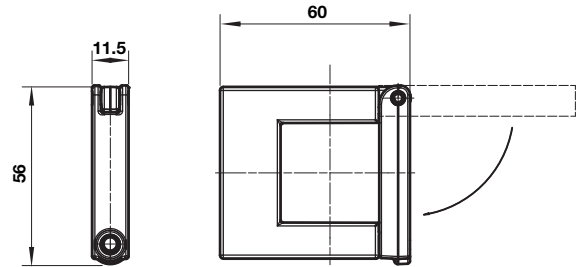
Dimensions

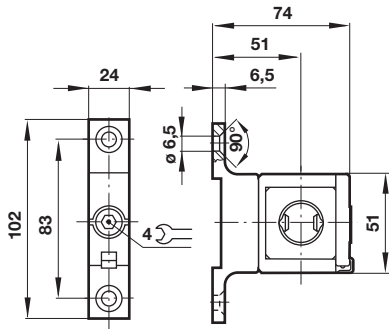
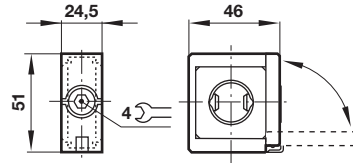
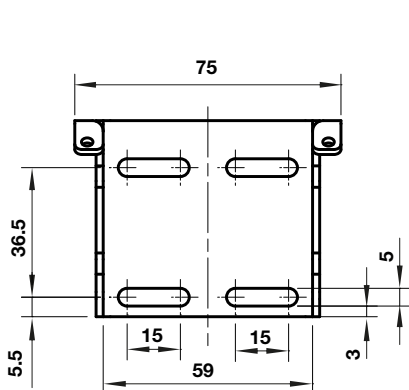
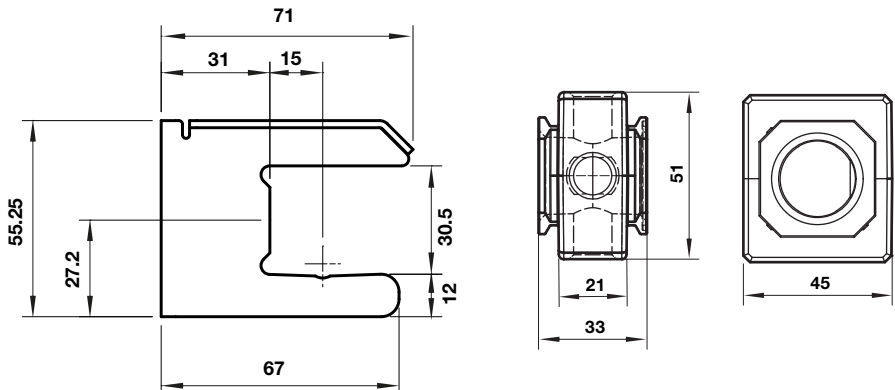
 Dimensions in mm
 Projection/First angle

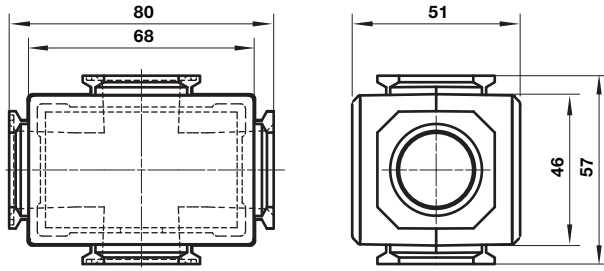
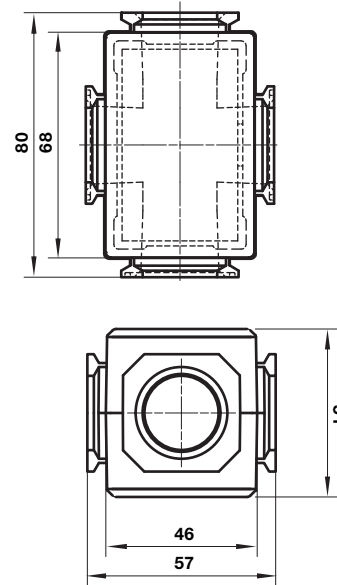

Plugged bowl

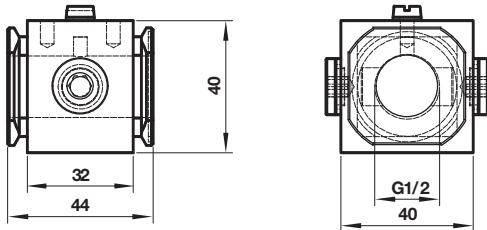
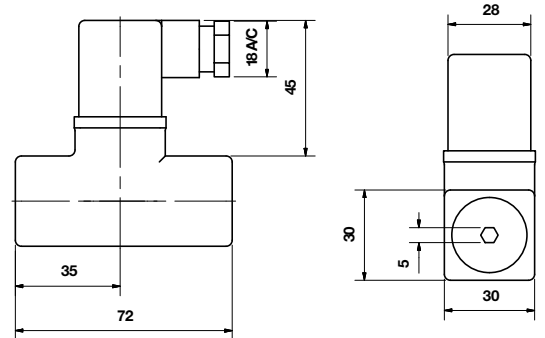
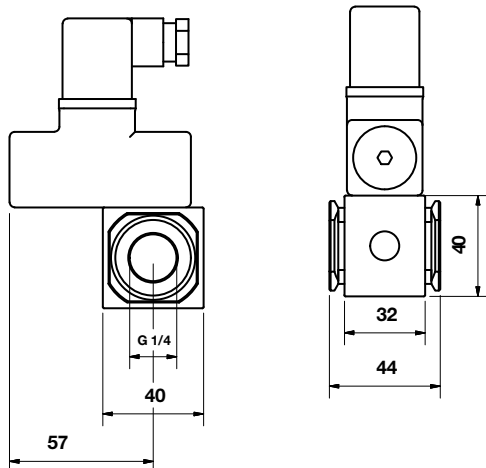
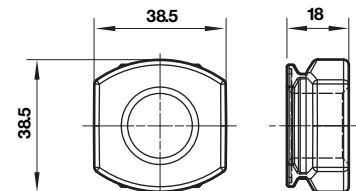


- 1 Main ports 3/8", 1/2" or 3/4"
(ISO G/PTF)
- 2 Transparent bowl with guard
- 3 Metal bowl with liquid level indicator lens

Accessories
Quikclamp® with wall bracket

Quikclamp®

 Dimensions in mm
 Projection/First angle

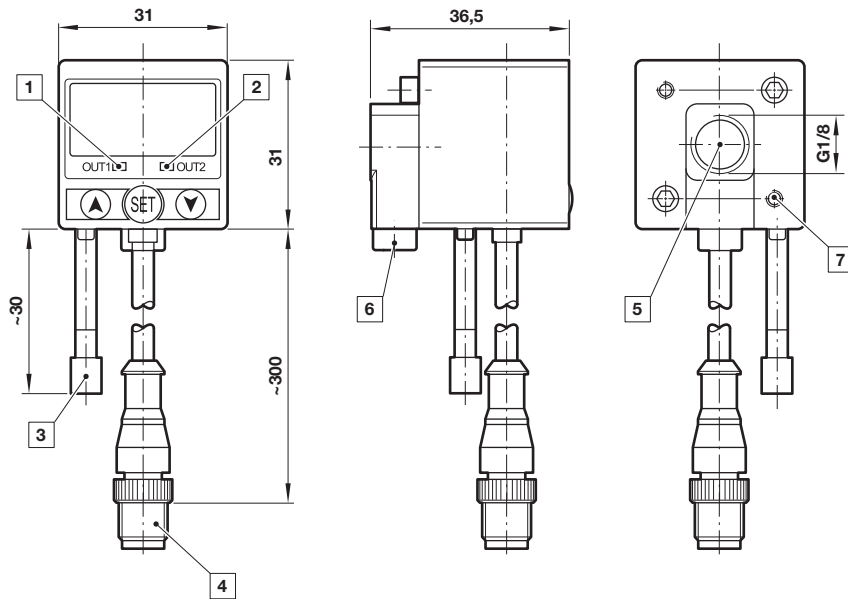
Hybrid-Quikclamp® with wall bracket

Hybrid-Quikclamp®

Mounting bracket

Pressure sensing block


Full flow porting block horizontal

Full flow porting block vertical

 Dimensions in mm
 Projection/First angle

Porting block for 18D pressure switch

18D Pressure switch

18D Porting block and 18D assembled

Pipe adaptor


51D Pressure switch - digital

Dimensions in mm
Projection/First angle



- 1 Switch OUT 1, green LED
- 2 Switch OUT 2, red LED
- 3 Dustproof protector
- 4 Connector M12 x 1
- 5 Inlet port
- 6 Alternative inlet port G1/8 plugged
- 7 Thread for mounting screw

Warning

These products are intended for use in industrial compressed air systems only. Do not use these products where pressures and temperatures can exceed those listed under »**Technical features/ data**«.

Before using these products with fluids other than those specified, for non-industrial applications, life-support systems or other applications not within published specifications, consult Norgren Ltd.

Through misuse, age, or malfunction, components used in fluid power systems can fail in various modes.

The system designer is warned to consider the failure modes of all component parts used in fluid power systems and to provide adequate safeguards to prevent personal injury or damage to equipment in the event of such failure.

System designers must provide a warning to end users in the system instructional manual if protection against a failure mode cannot be adequately provided.

System designers and end users are cautioned to review specific warnings found in instruction sheets packed and shipped with these products.