

GLOBAL LIMIT SWITCHES

Technical Data

EN 50041 standard metal body

26/03/97

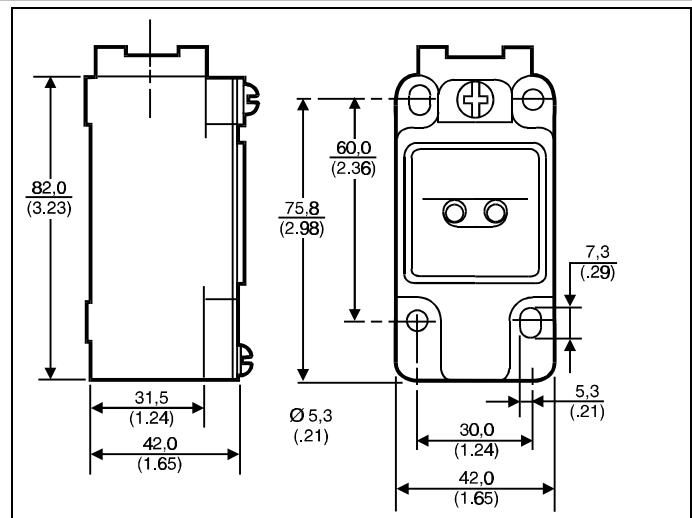
Order guide

Base references		with one LED	with two LED's
Conduit	Standard	12 ... 250 Vac/dc	18 ... 30 Vdc
	Reference	Reference	Reference
1/2" NPT	GLA A 01 A1B	GLF A 01 A1B	GLH A 01 A1B
PG 13.5	GLA B 01 A1B	GLF B 01 A1B	GLH B 01 A1B
20 mm	GLA C 01 A1B	GLF C 01 A1B	GLH C 01 A1B
PF 1/2	GLA D 01 A1B	GLF D 01 A1B	GLH D 01 A1B

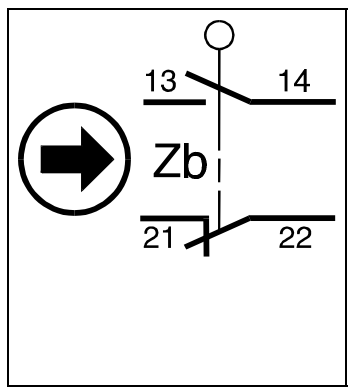
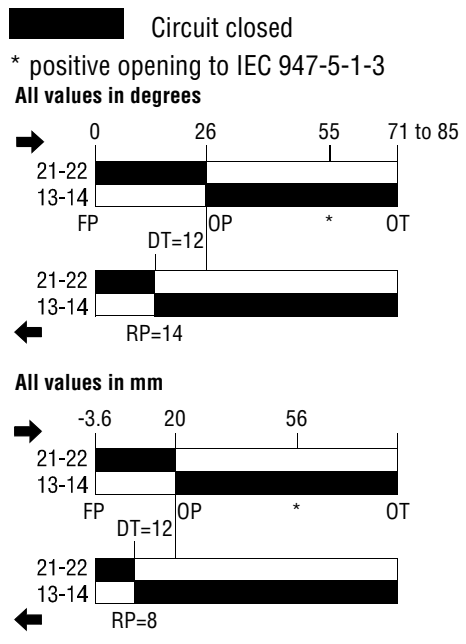
Note: Alternative actuators are shown on next page

General information

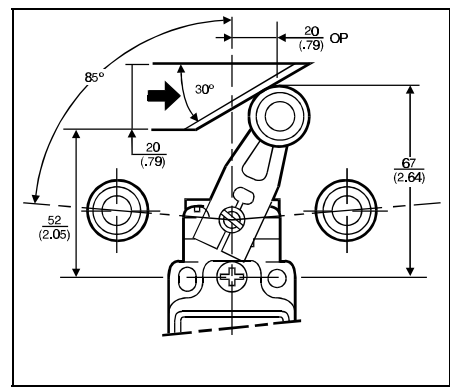
- Mechanical life:** Up to 15 million operations
- Degree of protection:** IP67
NEMA/UL type 1, 4, 12, 13
- Operating temp.:** -25°C to +85°C (-13°F to +185°F)
- Storage temp.:** -40°C to +85°C (-40°F to +185°F)
- Approvals:** IEC 947-5-1
EN 60947-5-1
AC15 A300/A600
DC13 Q300
UL & CSA
- Vibration:** 10 g conforming to IEC 68-2-6
- Shock:** 50 g conforming to IEC 68-2-27
Terminal marking to EN 50013
- Material body:** Metal



Operating characteristics



Contact arrangement:
Snap-action contacts, SPDT



Actuator type: A1B
Side rotary, metal roller

GLOBAL LIMIT SWITCHES

Technical Data

EN 50047 miniature metal body

26/03/97

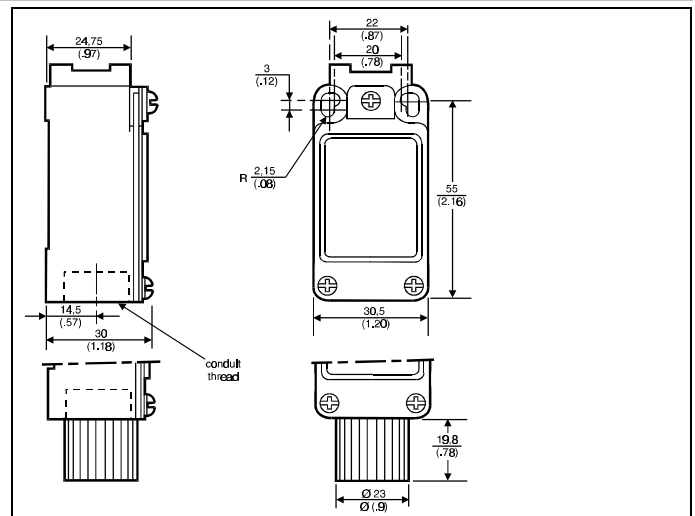
Order guide

Base references

Conduit	Standard Reference
1/2" NPT adapter	GLC A 01 B
PG 13.5	GLC B 01 B
20 mm	GLC C 01 B
PF 1/2	GLC D 01 B

General information

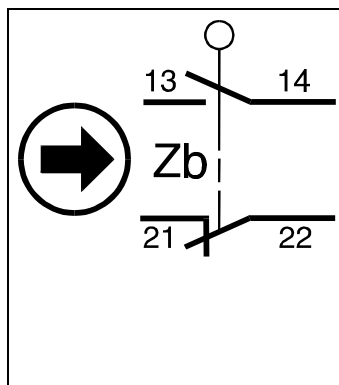
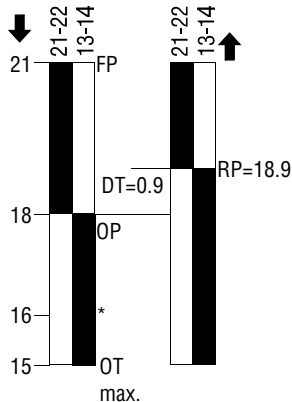
- Mechanical life:** Up to 15 million operations
- Degree of protection:** IP66
NEMA/UL type 1, 4, 12, 13
- Operating temp.:** -25°C to +85°C (-13°F to +185°F)
- Storage temp.:** -40°C to +85°C (-40°F to +185°F)
- Approvals:** IEC 947-5-1
EN 60947-5-1
AC15 A300
DC13 Q300
UL & CSA
- Vibration:** 10 g conforming to IEC 68-2-6
- Shock:** 50 g conforming to IEC 68-2-27
Terminal marking to EN 50013
- Material body:** Metal



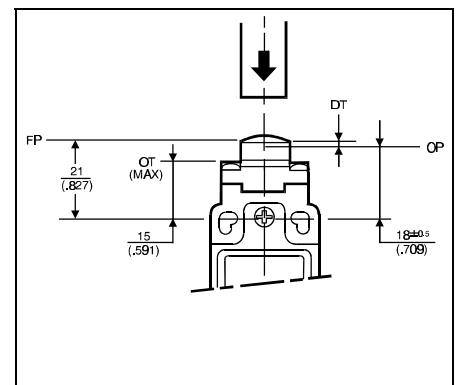
Operating characteristics

█ Circuit closed
* positive opening to IEC 947-5-1-3

All values are given in mm



Contact arrangement:
Snap-action contacts, SPDT



Actuator type: B
Top pin plunger

GLOBAL LIMIT SWITCHES

Technical Data

EN 50047 miniature double insulated body (thermoplastic)

26/03/97

Order guide

Base references

Conduit	Standard Reference
1/2" NPT adapter	GLD A 01 A1B
PG 13.5	GLD B 01 A1B
20 mm adapter	GLD C 01 A1B
PF 1/2 adapter	GLD D 01 A1B

Note: Alternative actuators are shown on next page

General information

Mechanical life: Up to 15 million operations

Degree of protection: IP66

NEMA/UL type 1, 12, 13

Operating temp.: -25°C to +85°C (-13°F to +185°F)

Storage temp.: -40°C to +85°C (-40°F to +185°F)

Approvals: IEC 947-5-1

EN 60947-5-1

AC15 A600

DC13 Q300

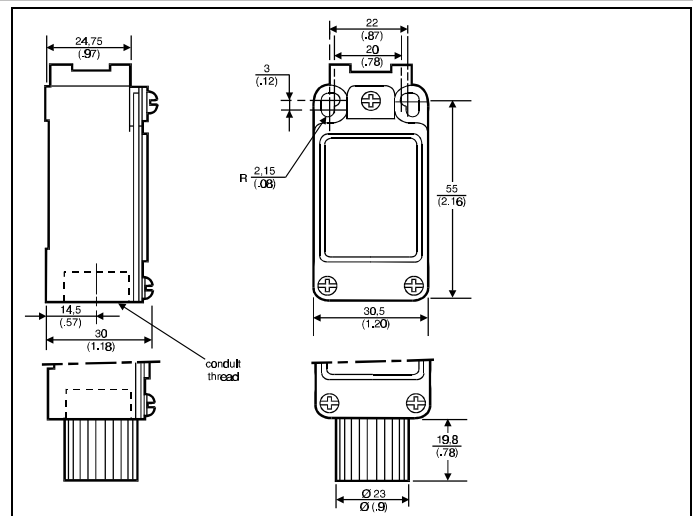
UL & CSA

Vibration: 10 g conforming to IEC 68-2-6

Shock: 50 g conforming to IEC 68-2-27

Terminal marking to EN 50013

Material body: Thermoplastic

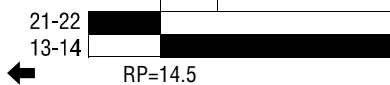


Operating characteristics

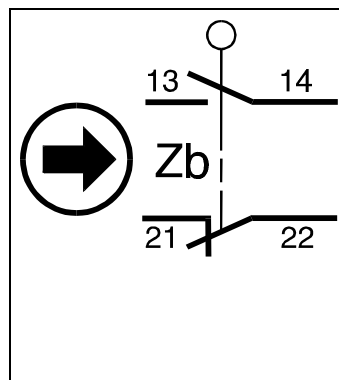
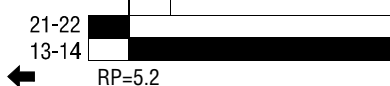
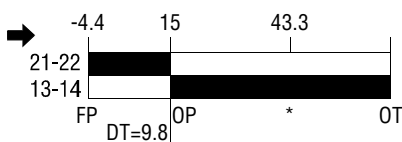
■ Circuit closed

* positive opening to IEC 947-5-1-3

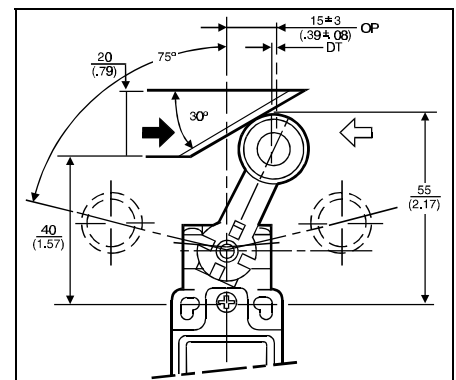
All values in degrees



All values in mm



Contact arrangement:
Snap-action contacts, SPDT



Actuator type: A1B
Side rotary, metal roller

GLOBAL LIMIT SWITCHES

Technical Data

EN 50047 miniature double insulated body (thermoplastic)

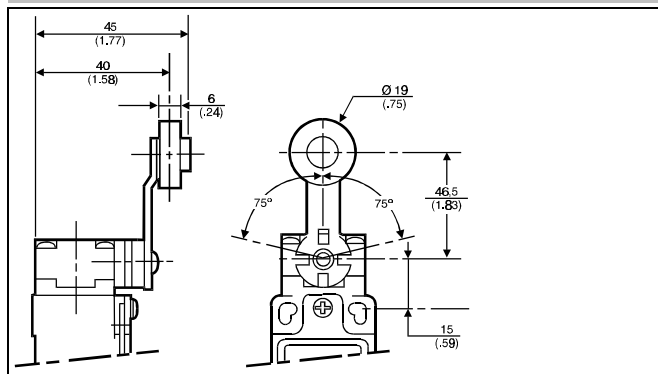
26/03/97

Order guide additional actuators

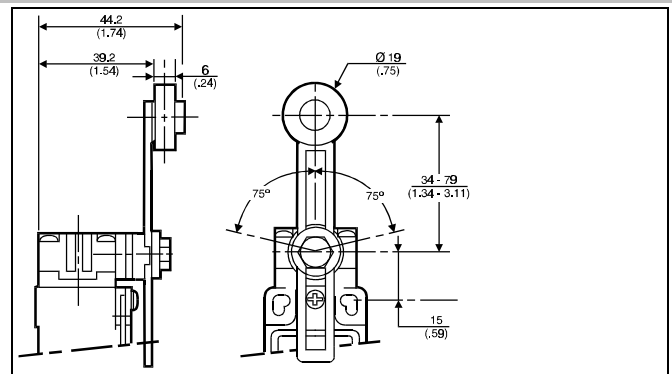
Base references

Conduit	Reference	Actuator code
1/2" NPT adapter	GLD A 01	---
PG 13.5	GLD A 01	---
20 mm adapter	GLD A 01	---
PF 1/2 adapter	GLD A 01	---

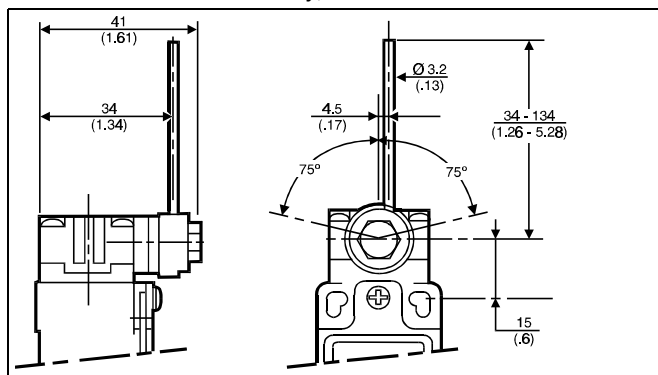
Alternative actuators



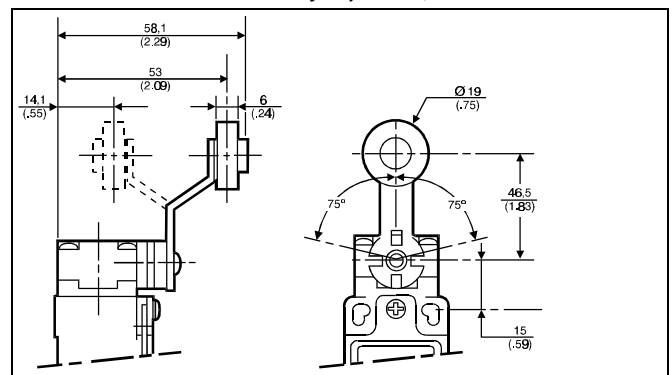
Actuator code: A1A Side rotary, plastic roller
A1B Side rotary, metal roller



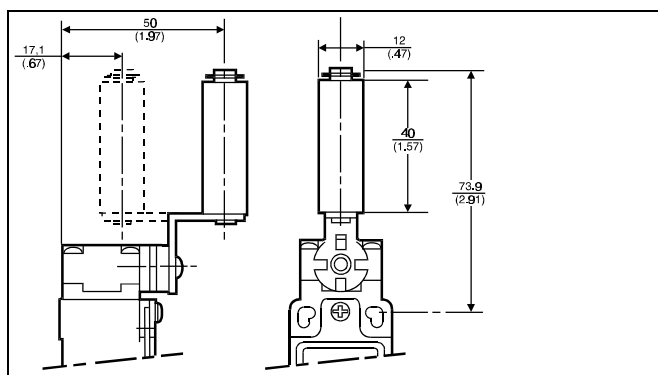
Actuator code: A2A Side rotary adjustable, plastic roller
A2B Side rotary adjustable, metal roller



Actuator code: A4J Side rotary adjustable rod, metal rod head



Actuator code: A5A Offset side rotary, plastic roller
A5B Offset side rotary, metal roller



Actuator code: A9A Side rotary conveyor lever, ceramic roller

GLOBAL LIMIT SWITCHES

Technical Data

EN 50041 plug-in metal body

26/03/97

Order guide

Base references

	Standard	with one LED 12 ... 250 Vac/dc	with two LED's 18 ... 30 Vdc
Conduit	Reference	Reference	Reference
1/2" NPT	GLB A 02 A1B	GLG A 12 A1B	GLJ A 13 A1B
PG 13.5	GLB B 02 A1B	GLG B 12 A1B	GLJ B 13 A1B
20 mm	GLB C 02 A1B	GLG C 12 A1B	GLJ C 13 A1B
PF 1/2	GLB D 02 A1B	GLG D 12 A1B	GLJ D 13 A1B

Note: Alternative actuators are shown on next page

General information

Mechanical life: Up to 15 million operations

Degree of protection: IP67

NEMA/UL type 1, 4, 12, 13

Operating temp.: -25°C to +85°C (-13°F to +185°F)

Storage temp.: -40°C to +85°C (-40°F to +185°F)

Approvals: IEC 947-5-1

EN 60947-5-1

AC15 A300/A600

DC13 Q300

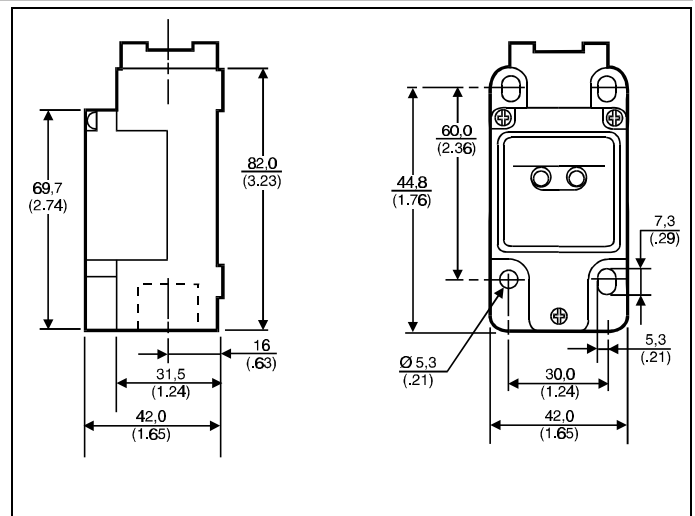
UL & CSA

Vibration: 10 g conforming to IEC 68-2-6

Shock: 50 g conforming to IEC 68-2-27

Terminal marking to EN 50013

Material body: Metal

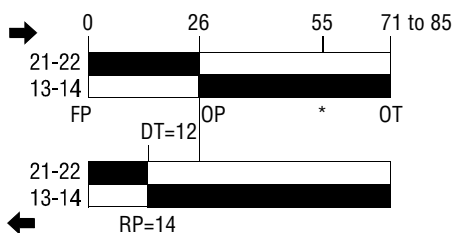


Operating characteristics

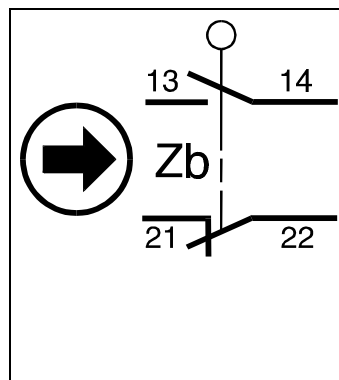
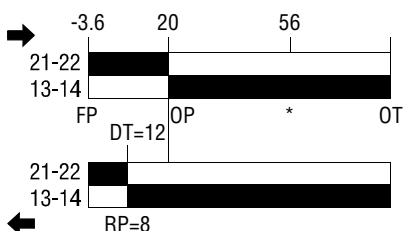
■ Circuit closed

* positive opening to IEC 947-5-1-3

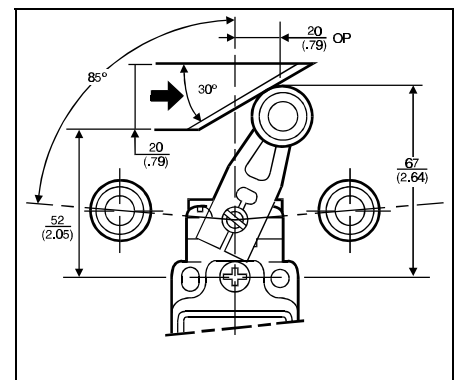
All values in degrees



All values in mm



Contact arrangement:
Snap-action contacts, SPDT



Actuator type: A1B
Side rotary, metal roller

GLOBAL LIMIT SWITCHES

Technical Data

EN 50041 plug-in metal body

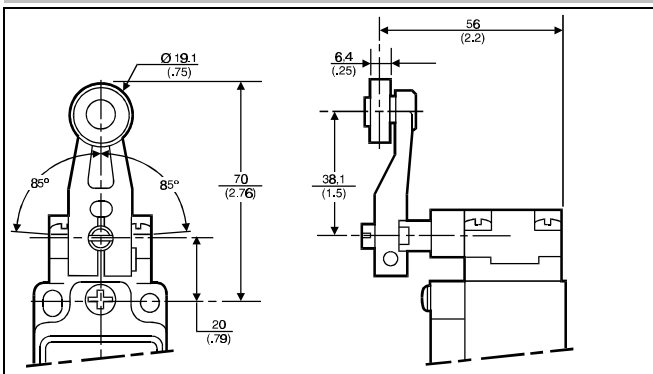
26/03/97

Order guide additional actuators

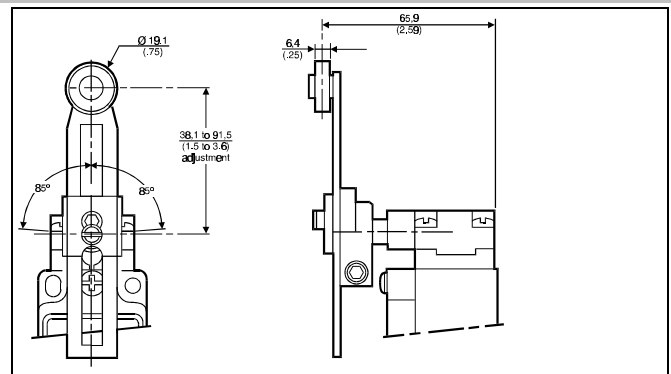
Base references

Conduit	Reference	Actuator code	with one LED		with two LED's	
			Reference	Actuator code	Reference	Actuator code
1/2" NPT	GLB A 02	---	GLG A 12	---	GLJ A 13	---
PG 13.5	GLB A 02	---	GLG A 12	---	GLJ A 13	---
20 mm	GLB A 02	---	GLG A 12	---	GLJ A 13	---
PF 1/2	GLB A 02	---	GLG A 12	---	GLJ A 13	---

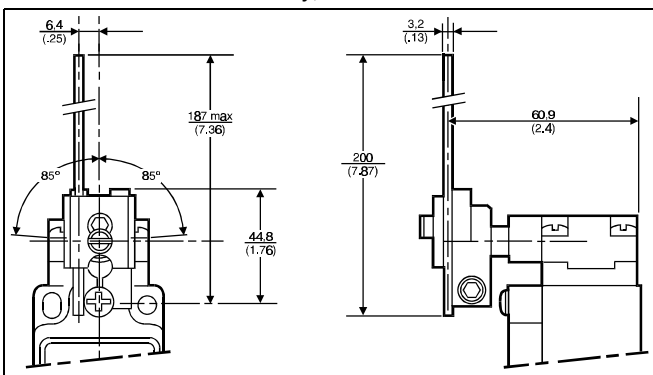
Alternative actuators



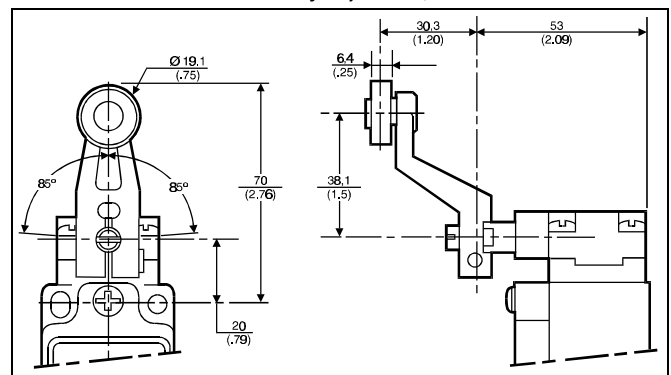
Actuator code: A1A Side rotary, plastic roller
A1B Side rotary, metal roller



Actuator code: A2A Side rotary adjustable, plastic roller
A2B Side rotary adjustable, metal roller



Actuator code: A4J Side rotary adjustable rod, metal rod head



Actuator code: A5B Offset side rotary, metal roller

GLOBAL LIMIT SWITCHES

Technical Data

EN 50041 standard metal body

26/03/97

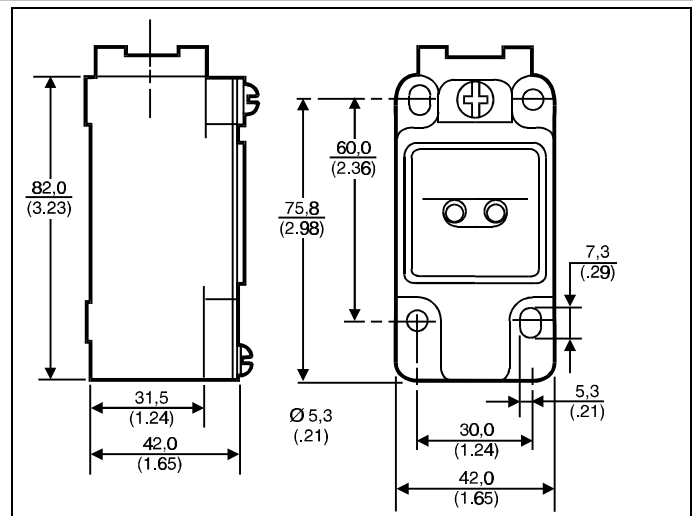
Order guide

Base references

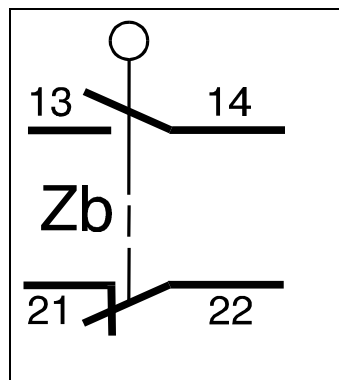
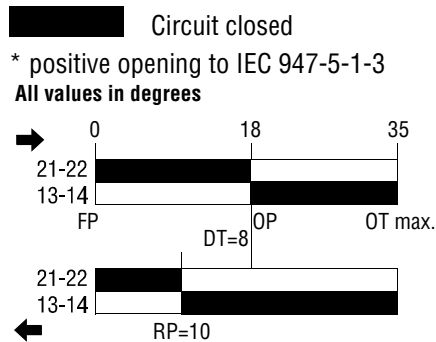
	Standard	with one LED	with two LED's
		12 ... 250 Vac/dc	18 ... 30 Vdc
Conduit	Reference	Reference	Reference
1/2" NPT	GLA A 01 E7B	GLF A 01 E7B	GLH A 01 E7B
PG 13.5	GLA B 01 E7B	GLF B 01 E7B	GLH B 01 E7B
20 mm	GLA C 01 E7B	GLF C 01 E7B	GLH C 01 E7B
PF 1/2	GLA D 01 E7B	GLF D 01 E7B	GLH D 01 E7B

General information

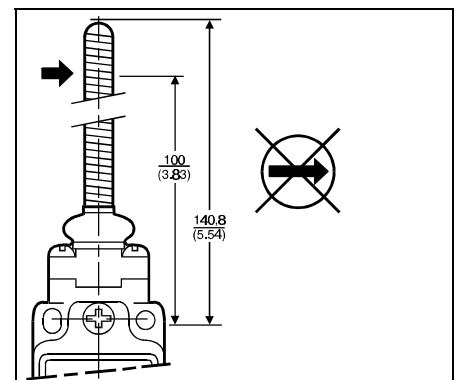
- Mechanical life:** Up to 15 million operations
- Degree of protection:** IP67
NEMA/UL type 1, 4, 12, 13
- Operating temp.:** -25°C to +85°C (-13°F to +185°F)
- Storage temp.:** -40°C to +85°C (-40°F to +185°F)
- Approvals:** IEC 947-5-1
EN 60947-5-1
AC15 A300/A600
DC13 Q300
UL & CSA
- Vibration:** 10 g conforming to IEC 68-2-6
- Shock:** 50 g conforming to IEC 68-2-27
Terminal marking to EN 50013
- Material body:** Metal



Operating characteristics



Contact arrangement:
Snap-action contacts, SPDT



Actuator type: E7B
Coil wobble stick

GLOBAL LIMIT SWITCHES

Technical Data

EN 50041 standard metal body

26/03/97

Order guide

Base references

	Standard	with one LED	with two LED's
		12 ... 250 Vac/dc	18 ... 30 Vdc
Conduit	Reference	Reference	Reference
1/2" NPT	GLA A 01 D	GLF A 01 D	GLH A 01 D
PG 13.5	GLA B 01 D	GLF B 01 D	GLH B 01 D
20 mm	GLA C 01 D	GLF C 01 D	GLH C 01 D
PF 1/2	GLA D 01 D	GLF D 01 D	GLH D 01 D

General information

Mechanical life: Up to 15 million operations

Degree of protection: IP67

NEMA/UL type 1, 4, 12, 13

Operating temp.: -25°C to +85°C (-13°F to +185°F)

Storage temp.: -40°C to +85°C (-40°F to +185°F)

Approvals: IEC 947-5-1

EN 60947-5-1

AC15 A300/A600

DC13 Q300

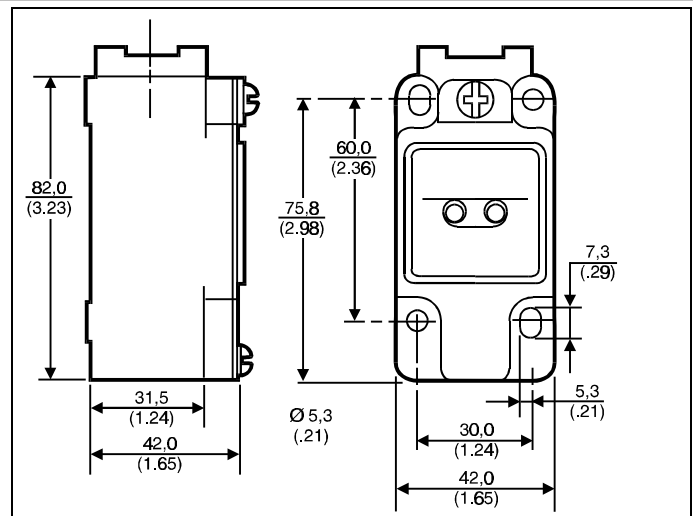
UL & CSA

Vibration: 10 g conforming to IEC 68-2-6

Shock: 50 g conforming to IEC 68-2-27

Terminal marking to EN 50013

Material body: Metal

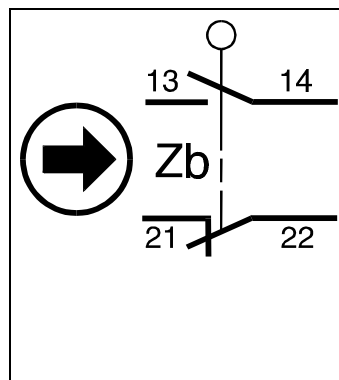
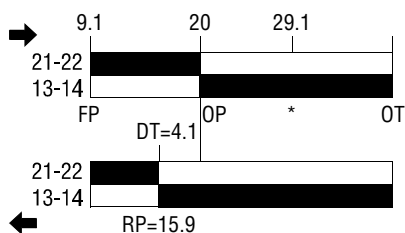


Operating characteristics

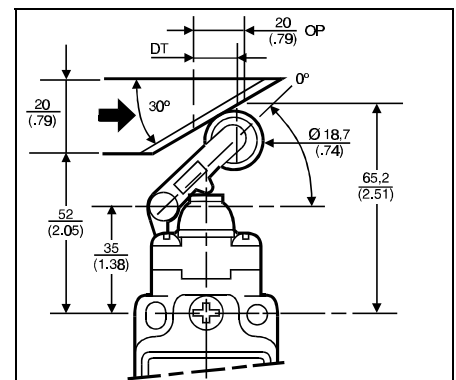
Circuit closed

* positive opening to IEC 947-5-1-3

All values in mm



Contact arrangement:
Snap-action contacts, SPDT



Actuator type: D
Roller arm

GLOBAL LIMIT SWITCHES

Technical Data

EN 50041 standard metal body

26/03/97

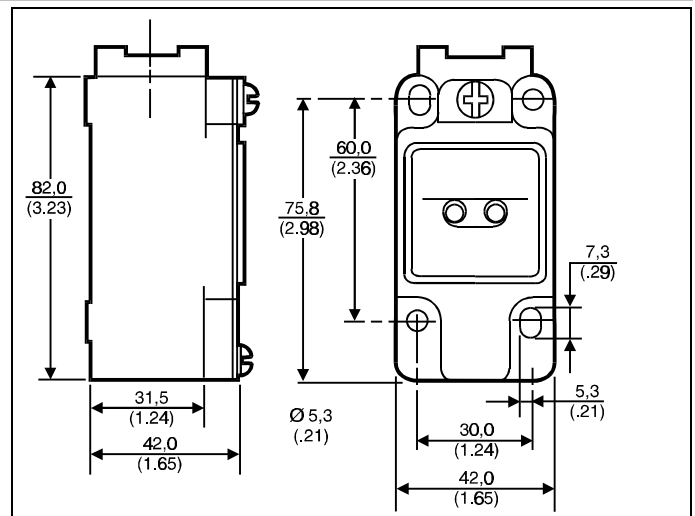
Order guide

Base references

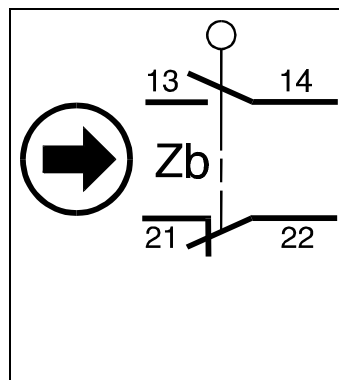
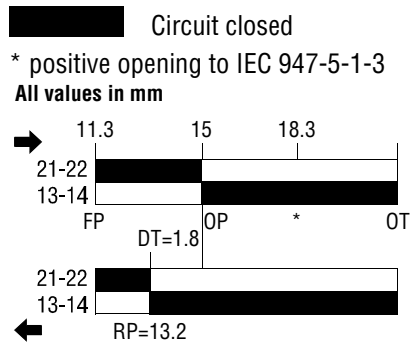
		with one LED	with two LED's
	Standard	12 ... 250 Vac/dc	18 ... 30 Vdc
Conduit	Reference	Reference	Reference
1/2" NPT	GLA A 01 C	GLF A 01 C	GLH A 01 C
PG 13.5	GLA B 01 C	GLF B 01 C	GLH B 01 C
20 mm	GLA C 01 C	GLF C 01 C	GLH C 01 C
PF 1/2	GLA D 01 C	GLF D 01 C	GLH D 01 C

General information

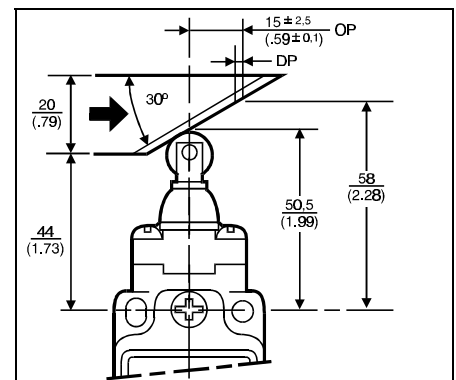
- Mechanical life:** Up to 15 million operations
- Degree of protection:** IP67
NEMA/UL type 1, 4, 12, 13
- Operating temp.:** -25°C to +85°C (-13°F to +185°F)
- Storage temp.:** -40°C to +85°C (-40°F to +185°F)
- Approvals:** IEC 947-5-1
EN 60947-5-1
AC15 A300/A600
DC13 Q300
UL & CSA
- Vibration:** 10 g conforming to IEC 68-2-6
- Shock:** 50 g conforming to IEC 68-2-27
Terminal marking to EN 50013
- Material body:** Metal



Operating characteristics



Contact arrangement:
Snap-action contacts, SPDT



Actuator type: C
Top roller plunger

GLOBAL LIMIT SWITCHES

Technical Data

EN 50041 standard metal body

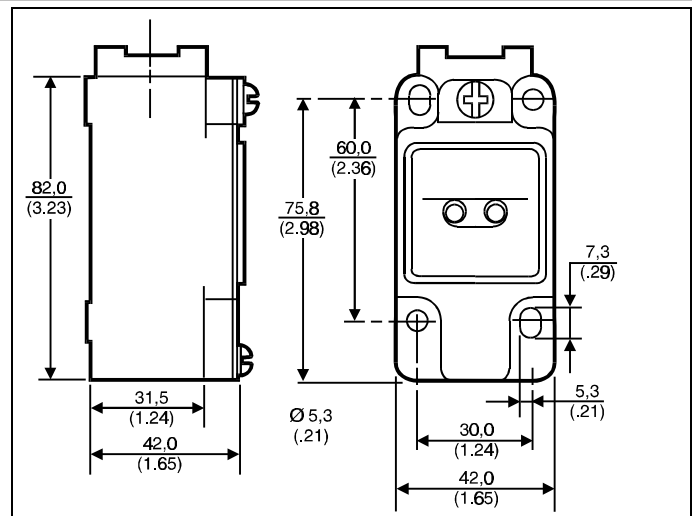
26/03/97

Order guide

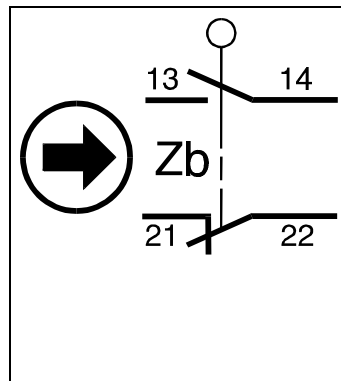
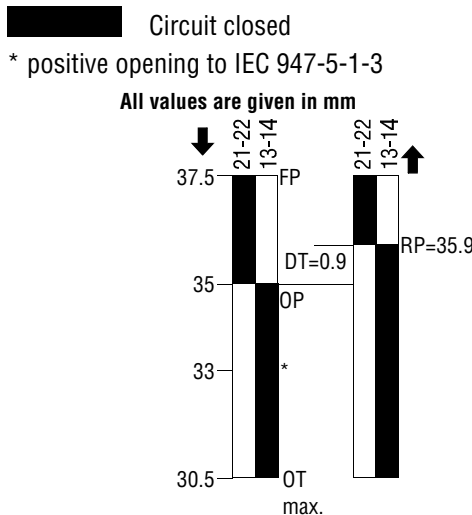
Base references		with one LED	with two LED's
Conduit	Standard	12 ... 250 Vac/dc	18 ... 30 Vdc
	Reference	Reference	Reference
1/2" NPT	GLA A 01 B	GLF A 01 B	GLH A 01 B
PG 13.5	GLA B 01 B	GLF B 01 B	GLH B 01 B
20 mm	GLA C 01 B	GLF C 01 B	GLH C 01 B
PF 1/2	GLA D 01 B	GLF D 01 B	GLH D 01 B

General information

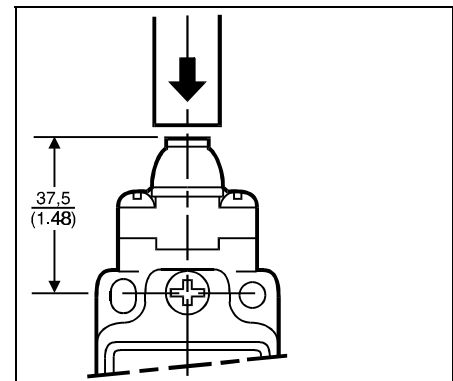
- Mechanical life:** Up to 15 million operations
- Degree of protection:** IP67
NEMA/UL type 1, 4, 12, 13
- Operating temp.:** -25°C to +85°C (-13°F to +185°F)
- Storage temp.:** -40°C to +85°C (-40°F to +185°F)
- Approvals:** IEC 947-5-1
EN 60947-5-1
AC15 A300/A600
DC13 Q300
UL & CSA
- Vibration:** 10 g conforming to IEC 68-2-6
- Shock:** 50 g conforming to IEC 68-2-27
Terminal marking to EN 50013
- Material body:** Metal



Operating characteristics



Contact arrangement:
Snap-action contacts, SPDT



Actuator type: B
Top pin plunger

GLOBAL LIMIT SWITCHES

Technical Data

EN 50041 standard metal body

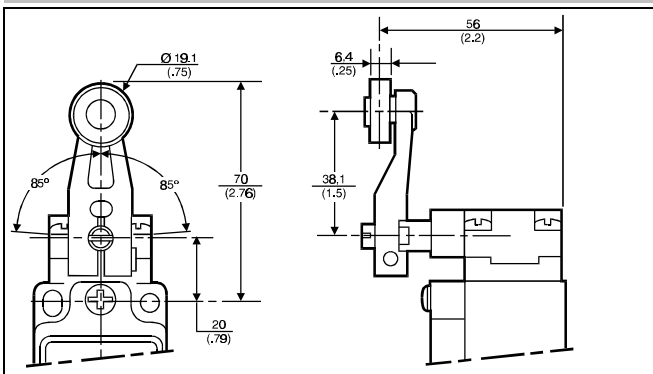
26/03/97

Order guide additional actuators

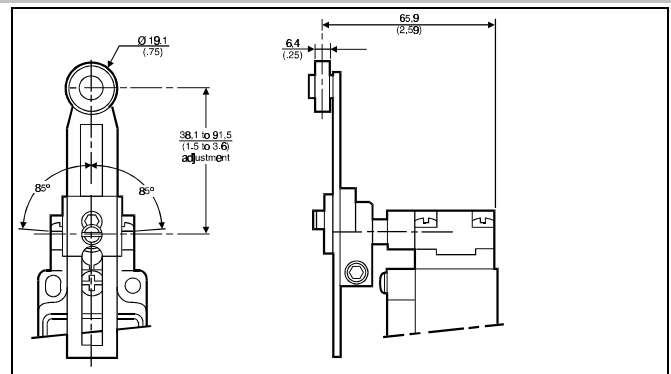
Base references

Conduit	Reference	Actuator code	with one LED		with two LED's	
			Reference	Actuator code	Reference	Actuator code
1/2" NPT	GLA A 01	---	GLF A 01	---	GLH A 01	---
PG 13.5	GLA A 01	---	GLF A 01	---	GLH A 01	---
20 mm	GLA A 01	---	GLF A 01	---	GLH A 01	---
PF 1/2	GLA A 01	---	GLF A 01	---	GLH A 01	---

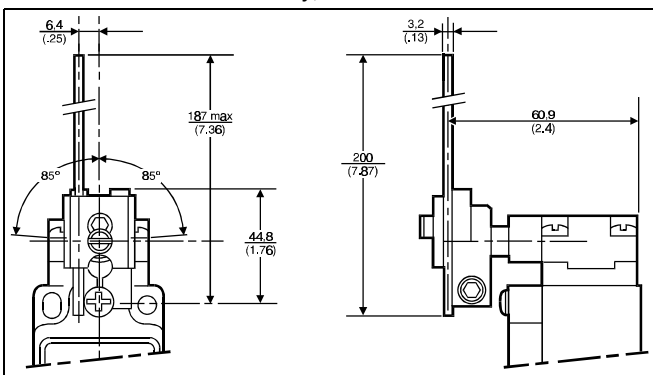
Alternative actuators



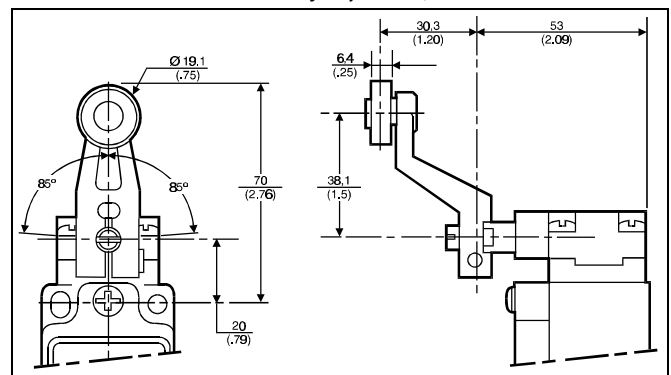
Actuator code: A1A Side rotary, plastic roller
A1B Side rotary, metal roller



Actuator code: A2A Side rotary adjustable, plastic roller
A2B Side rotary adjustable, metal roller



Actuator code: A4J Side rotary adjustable rod, metal rod head



Actuator code: A5B Offset side rotary, metal roller