

# 442 Xenon Flash / Multi-Tone Sounder Combination (120 dB)



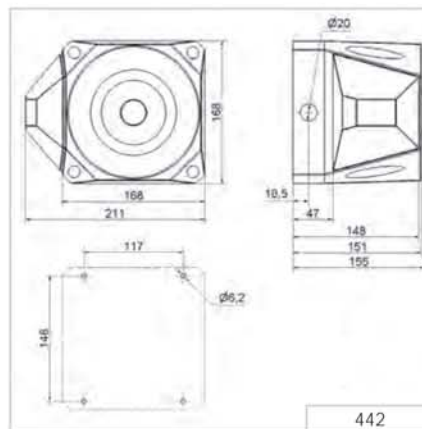
## **i** TECHNICAL SPECIFICATIONS/ORDER SPECIFICATIONS:

<b>Dimensions (L x H x W):</b>	168 mm x 211 mm x 155 mm	
<b>Housing:</b>	PC/ABS-Blend	
<b>Connection:</b>	Screw terminal 0,28-2.5 mm <sup>2</sup>	
<b>Cable entry:</b>	Cable gland M20 x 1.5 mm (not included in assembly)	
<b>Tone type and frequency:</b>	Selectable via DIP switch, 3 tones externally triggered see table on page 284	
<b>Voltage:</b>	18-30 V DC	115/230 V AC
<b>Current cons. Multi Tone Sounder:</b>	450 mA	130/65 mA
<b>Current consumption Flash:</b>	127-389 mA (dependent on voltage and flash frequency)	- /15 mA (dependent on voltage and flash frequency)
<b>Flash frequency</b>	0,75 Hz/1 Hz	1,25 Hz/2 Hz
<b>Flash energy</b>	3,5 Ws	2 Ws
<b>Housing/Flash</b>		
red / red	442 010 55	442 010 68
red / yellow	442 030 55	442 030 68
grey / red	442 110 55	442 110 68
grey / yellow	442 130 55	442 130 68

## **🏠** ACCESSORIES:

Cable gland M20 x 1.5 mm	975 444 01
--------------------------	------------

## **📏** TECHNICAL DIAGRAM:



### Signalisation index

Multi-Tone Sounder	10
Xenon Flash	5-6



442 XX0 55      442 XX0 68

