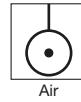




## 3 & 5 WAY PNEUMATIC VALVES FOR ACTUATOR CONTROL (NAMUR)



**3/2**  
**5/2**  
**5/3**

Actuation	Body	Function	Port Size	Orifice (mm)	Qn (l/min)	MOPD (bar)	Max Fluid Temp. (°C)	Page Parker Valves	Page Parker LUCIFER® Valves
Direct Operated	Anodized aluminium/NAMUR	Normally Closed	1/4"	6	680	10	75	-	334
Pilot Operated	Anodized aluminium/NAMUR/Spool	Solenoid operated - spring return	1/8"-1/4"	4 to 8	1400	10	80	-	340
			1/4"	7 to 8	1400	10	80	-	336
			1/2"	12	3000	10	50	-	336
		Dual Solenoids	1/8"-1/4"	4	400	10	80	-	352
			1/4"	7 to 8	1400	10	120	-	354
			1/2"	12	3000	10	120	-	356
		W1 closed center position	1/8"-1/4"	4	400	10	80	-	358
			1/4"	4 to 7	1250	10	120	-	358
		W3 exhausted in center position	1/4"	7	1250	10	50	-	360
		Control by Electric Impulse	1/8"-1/4"	4	600	10	80	-	362
Air Operated	Anodized aluminium/NAMUR/Poppet	Solenoid operated - spring return	1/8"-1/4"	4	355	10	75	-	362
	Anodized aluminium/NAMUR	W1 closed center position	1/4"	7	1250	10	50	-	372
Air Operated	Anodized aluminium/NAMUR	Air operated - spring return	1/8"-1/4"	4	600	10	80	-	368
			1/4"	7	1250	10	50	-	366
			1/2"	12	3000	10	50	-	366
		Air operated and return	1/4"	7	1250	10	50	-	370

# 3/2

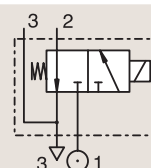
## 3 & 5 WAY PNEUMATIC VALVES FOR ACTUATOR CONTROL (NAMUR) DIRECT OPERATED



Process

### ANODIZED ALUMINIUM NAMUR

#### NORMALLY CLOSED



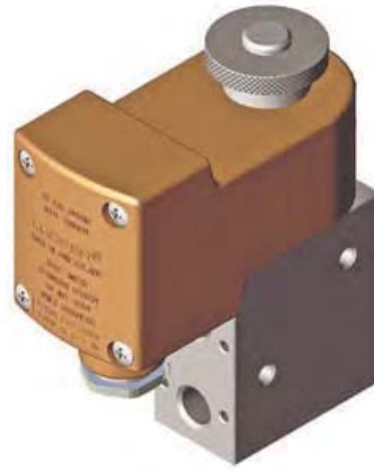
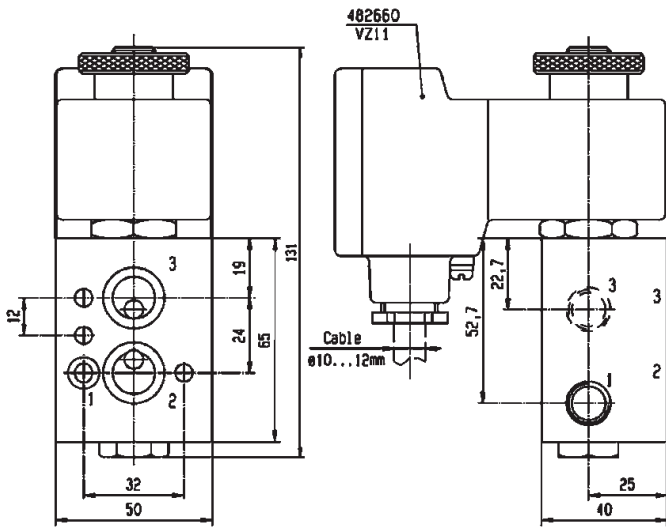
Port size	Orifice Ø	Flow factor	Operating Pressure Differential			Fluid Temp.		Seat Seal	Parker LUCIFER® Valves			ATEX Zone	Protection Mode	Power		Coil Group	Dwg. No.
			Min	Max (MOPD)	Max	Min	Max		Valve Ref.	Housing Ref.	Coil Ref.			AC W	DC W		
BSP	1	Qn l/min	bar	AC bar	DC bar	°C	°C										
1/4"	6	680	0	10	10	-25	75	NBR	131X1101	-	492310	1-21	Ex e mb II T3 to T6	6	6	9.0/10.1	7336
	6	680	0	-	10	-25	75	NBR	131X1101	-	492965.01	0-20	Ex ia IIC T6	-	0.3 to 3	9.0/10.1	7336
	6	680	0	10	10	-25	75	NBR	131X1101	-	496700	1-21	Ex d mb IIC T4 to T6	6	6	9.0/10.1	7336
	6	680	0	10	10	-25	75	NBR	131X1101	-	496895	-	-	8	8	9.0/10.1	7336
	6	680	0	-	10	-25	65	NBR	131X1131 <sub>1</sub>	-	492310	1-21	Ex e mb II T3 to T6	-	6	10.1/10.2	7336
	6	680	0	-	10	-25	65	NBR	131X1131 <sub>1</sub>	-	496700	1-21	Ex d mb IIC T4 to T6	-	6	10.1/10.2	7336
	6	680	0	-	10	-25	65	NBR	131X1131 <sub>1</sub>	-	496895	-	-	-	8	10.1/10.2	7336
1/4" NPT	6	680	0	-	10	-25	75	NBR	U131X1101	-	492965.01	0-20	Ex ia IIC T6	-	0.3 to 3	10.1/10.2	7336
	6	680	0	10	10	-25	65	NBR	U131X1101	-	496700	1-21	Ex d mb IIC T4 to T6	6	6	10.1/10.2	7336
	6	680	0	10	10	-25	65	NBR	U131X1101	-	496895	-	-	8	8	10.1/10.2	7336

**Notes:**

1. DC voltage only. Minimum drop off voltage is 15% of nominal voltage (former DIN 19251)



For this page	Port size	Orifice (mm)	Qn (l/min)	MOPD (bar)	Fluid Temp (°C)	Amb Temp (°C)
From	1/4"	6	680	10	-25	-25
To	1/4"	6	680	10	75	65



Drawing 7336

# 3/2

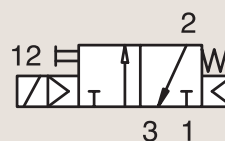
## 3 & 5 WAY PNEUMATIC VALVES FOR ACTUATOR CONTROL (NAMUR) PILOT OPERATED



Process

### ANODIZED ALUMINIUM NAMUR

#### SOLENOID OPERATED - SPRING RETURN



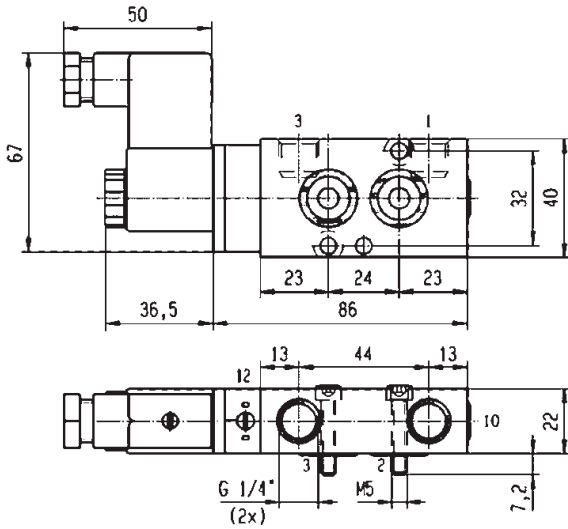
Port size	Orifice Ø	Flow factor	Operating Pressure Differential			Fluid Temp.		Seat Seal	Parker LUCIFER® Valves			ATEX Zone	Protection Mode		Power		Coil Group	Dwg. No.
			Min	Max (MOPD)	AC	DC	Min		Max	Valve Ref.	Housing Ref.		Coil Ref.	AC W	DC W			
1/4"	7	1250	2.5	10	10	-10	50	NBR	331N03 <sub>3</sub>	-	496131	-	-	3	3	1.2	8056	
	7	1250	2.5	10	10	-10	50	NBR	331N03 <sub>3</sub>	-	496482	-	-	3	3	1.2	8056	
	7	1250	2.5	10	10	-10	50	NBR	331N03 <sub>3</sub>	-	496637	22	Ex tD A22 IP65 - T95°C	3	3	1.2	8056	
1/2"	12	3000	2	10	10	-10	50	NBR	331N04 <sub>3</sub>	-	496131	-	-	3	3	1.2	8060	
	12	3000	2	10	10	-10	50	NBR	331N04 <sub>3</sub>	-	496482	-	-	3	3	1.2	8060	
	12	3000	2	10	10	-10	50	NBR	331N04 <sub>3</sub>	-	496637	22	Ex tD A22 IP65 - T95°C	3	3	1.2	8060	
	12	3000	2	10	10	-10	50	NBR	331N0402	-	496131	-	-	3	3	1.2	8251	
	12	3000	2	10	10	-10	50	NBR	331N0402	-	496482	-	-	3	3	1.2	8251	

**Notes:**

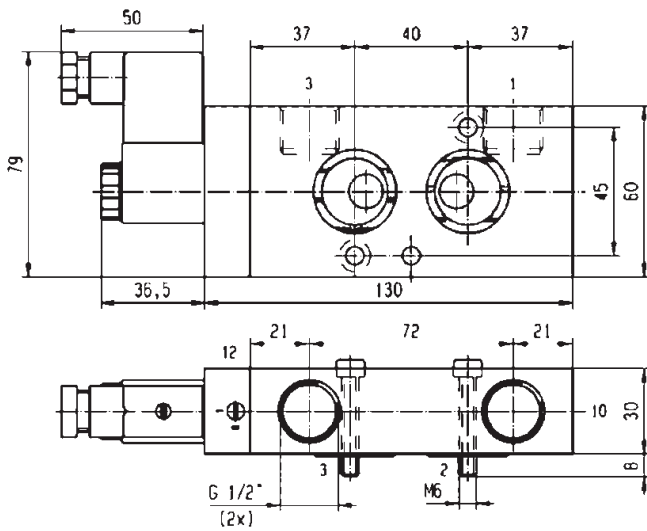
- 1. DC voltage only. Minimum drop off voltage is 15% of nominal voltage (former DIN 19251)
- 2. With captured exhaust
- 3. With manual override



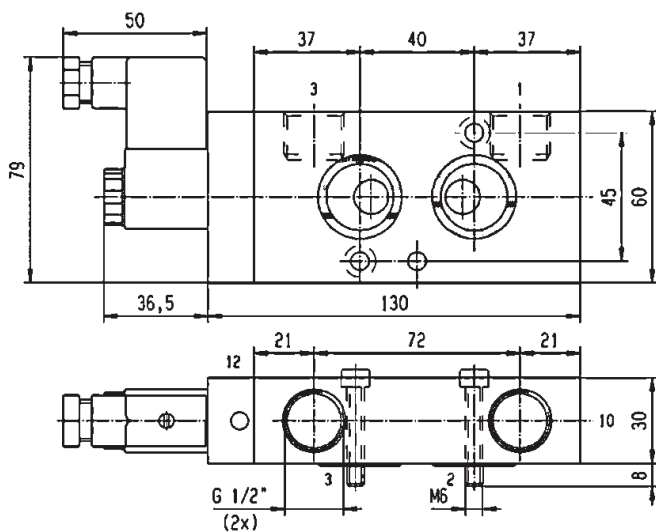
For this page	Port size	Orifice (mm)	Qn (l/min)	MOPD (bar)	Fluid Temp (°C)	Amb Temp (°C)
From	1/4"	7	1250	10	-10	-10
To	1/2"	12	3000	10	50	50



Drawing 8056



Drawing 8060

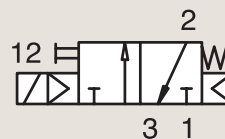


Drawing 8251

# 3/2

## 3 & 5 WAY PNEUMATIC VALVES FOR ACTUATOR CONTROL (NAMUR) PILOT OPERATED

ANODIZED ALUMINIUM  
NAMUR



### SOLENOID OPERATED - SPRING RETURN

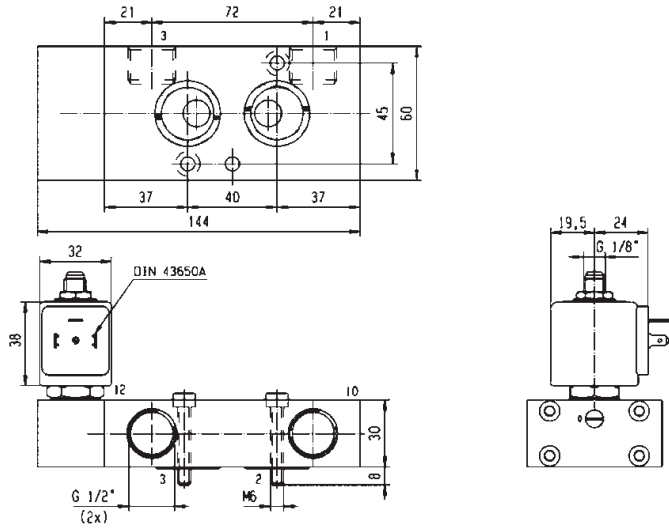
Port size	Orifice Ø	Flow factor	Operating Pressure Differential			Fluid Temp.		Seat Seal	Parker LUCIFER® Valves			ATEX Zone	Protection Mode	Power		Coil Group	Dwg. No.
			Min	Max (MOPD)	AC bar	DC bar	Min		Max	Valve Ref.	Housing Ref.			Coil Ref.	AC W		
BSP	1	Qn l/min	bar	bar	bar	°C	°C										
	12	3000	2.5	10	10	-10	50	NBR	331N34 <sub>3</sub>	2995	481865	-	-	8	9	2.1	8210
1/2"	12	3000	2.5	10	10	-10	50	NBR	331N34 <sub>3</sub>	2995	495870	2-22	Ex nAC IIC T3/T4	8	9	2.1	8210
	12	3000	2.5	10	10	-10	50	NBR	331N34 <sub>3</sub>	-	495905	1-21	Ex d mb IIC T4	8	8	2.1	8210
	12	3000	2.5	10	10	-10	50	NBR	331N3402	2995	481865	-	-	8	9	2.1	8252

**Notes:**

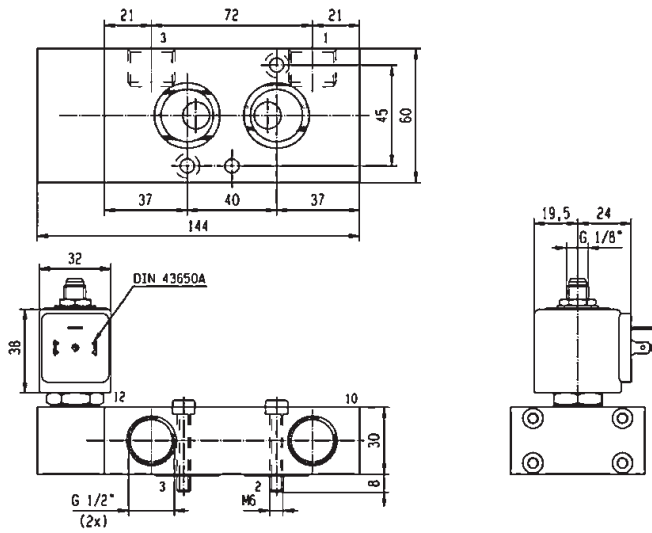
1. DC voltage only. Minimum drop off voltage is 15% of nominal voltage (former DIN 19251)
2. With captured exhaust
3. With manual override



For this page	Port size	Orifice (mm)	Qn (l/min)	MOPD (bar)	Fluid Temp (°C)	Amb Temp (°C)
From	1/2"	12	3000	10	-10	-10
To	1/2"	12	3000	10	50	50



Drawing 8210



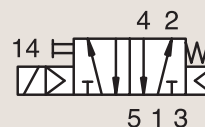
Drawing 8252

# 3/2-5/2

## 3 & 5 WAY PNEUMATIC VALVES FOR ACTUATOR CONTROL (NAMUR) PILOT OPERATED

ANODIZED ALUMINIUM  
NAMUR

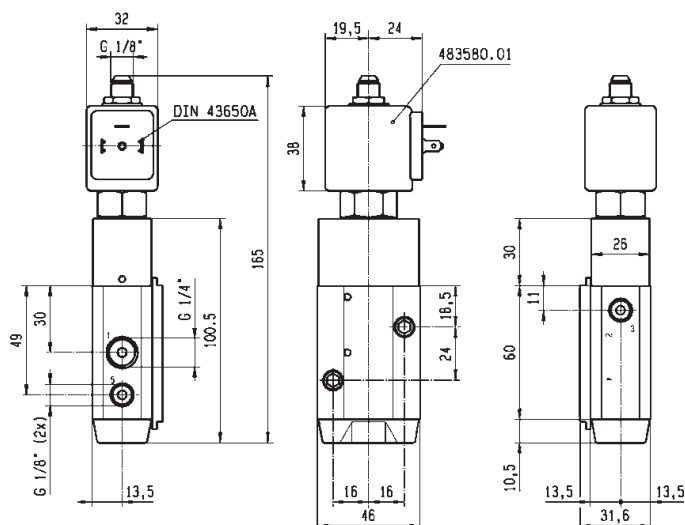
SOLENOID OPERATED - SPRING RETURN



Port size	Orifice Ø	Flow factor	Operating Pressure Differential			Fluid Temp.		Seat Seal	Parker LUCIFER® Valves			ATEX Zone	Protection Mode	Power		Coil Group	Dwg. No.
			Min	Max (MOPD)	AC bar	DC bar	Min		Max	Valve Ref.	Housing Ref.			Coil Ref.	AC W		
1/8"- 1/4"	4	600	2	10	10	-25	80	NBR	341N01 <sub>23</sub>	8993	488980	-	-	2	2.5	1.1	7301
	4	600	2	10	10	-25	80	NBR	341N11 <sub>23</sub>	8993	488980	-	-	2	2.5	1.1	7300
	4	600	2	10	10	-25	80	FKM/NBR	341N21 <sub>3</sub>	2995	481865	-	-	8	9	2.1	7311
	4	600	2	10	10	-25	80	FKM/NBR	341N21 <sub>3</sub>	4270	481000	-	-	8	8	2.1	7311
	4	600	2	-	10	-25	55	FKM/NBR	341N2190 <sub>3</sub>	2995	483580.01	0-20	Ex ia IIC T6	-	0.5 to 3	7.0/8.0	7874
	4	600	2	-	10	-25	55	FKM/NBR	341N2190 <sub>3</sub>	-	495910	0-20	Ex ia IIC T4 to T6	-	0.3 to 3	7.0/8.0	7874

**Notes:**

- 1.DC voltage only. Minimum drop off voltage is 15% of nominal voltage (former DIN 19251)
- 2.With captured exhaust
- 3.With manual override

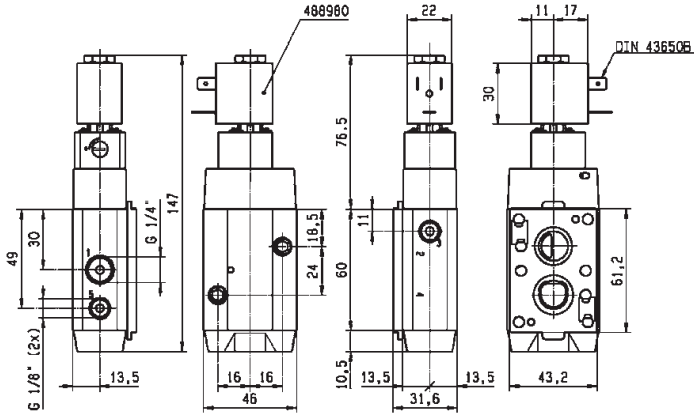


Drawing 7874

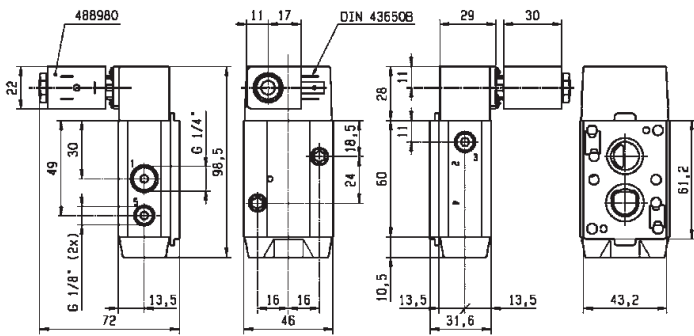




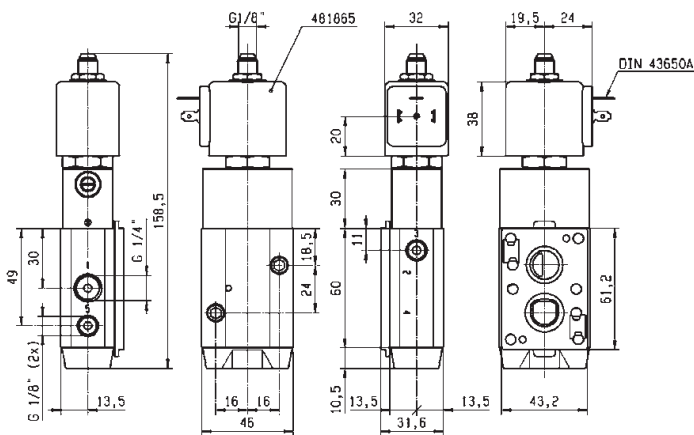
For this page	Port size	Orifice (mm)	Qn (l/min)	MOPD (bar)	Fluid Temp (°C)	Amb Temp (°C)
From	1/8"-1/4"	4	600	10	-25	-25
To	1/8"-1/4"	4	600	10	80	50



Drawing 7301



Drawing 7300

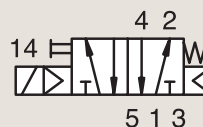


Drawing 7311

3/2-5/2

3 & 5 WAY PNEUMATIC VALVES  
FOR ACTUATOR CONTROL (NAMUR)  
PILOT OPERATED

ANODIZED ALUMINIUM  
NAMUR



SOLENOID OPERATED - SPRING RETURN

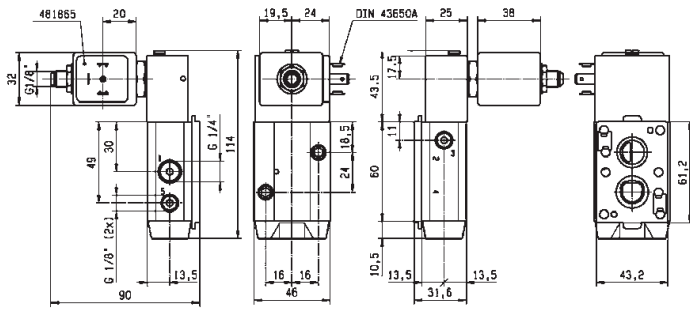
Port size	Orifice Ø	Flow factor	Operating Pressure Differential			Fluid Temp.		Seat Seal	Parker LUCIFER® Valves			ATEX Zone	Protection Mode	Power		Coil Group	Dwg. No.
			Min	Max (MOPD)	AC bar	DC bar	Min		Max	Valve Ref.	Housing Ref.			Coil Ref.	AC W		
BSP	1	Qn l/min	bar	bar	bar	°C	°C										
1/8"-1/4"	4	600	2	10	10	-25	80	NBR	341N31 <sub>3</sub>	2995	481865	-	-	8	9	2.1	7295
	4	600	2	10	10	-25	80	NBR	341N31 <sub>3</sub>	2995	495870	2-22	Ex nAC IIC T3/T4	8	9	2.1	7295
	4	600	2	10	10	-25	65	NBR	341N31 <sub>3</sub>	-	495905	1-21	Ex d mb IIC T4	8	8	2.1	7295
	4	600	2	10	10	-25	80	NBR	341N3102	2995	481865	-	-	8	9	2.1	7295
	4	600	2	10	10	-40	65	PUR	341N3108 <sub>3</sub>	2995	481865	-	-	8	9	2.1	7295
	4	600	2	10	10	-40	65	PUR	341N3108 <sub>3</sub>	4270	481000	-	-	8	8	2.1	7295
	4	600	2	10	10	-40	65	PUR	341N3128	2995	481865	-	-	8	9	2.1	7295
	4	600	2	10	10	-40	65	PUR	341N3128	4270	481865	-	-	8	9	2.1	7295
	4	600	2	-	10	-25	80	FKM/NBR	341N3130 <sub>13</sub>	2995	481865	-	-	-	9	2.1	7295
	4	600	2	-	10	-25	80	FKM/NBR	341N3130 <sub>13</sub>	-	492190	1-21	Ex e mb IIC T3/T4	-	9	2.1	7295
	4	600	2	-	10	-25	80	FKM/NBR	341N3130 <sub>13</sub>	-	495905	1-21	Ex d mb IIC T4	-	8	2.1	7295
	4	600	2	-	10	-10	55	NBR	341N3190	2995	483580.01	0-20	Ex ia IIC T6	-	0.5 to 3	7.0	7349
	4	600	2	-	10	-10	75	NBR	341N3190	-	488660.01	0-20	Ex ia IIC T6	-	0.3 to 3	7.0	7349
	4	600	2	-	10	-10	75	NBR	341N3190	-	495910	0-20	Ex ia IIC T4 to T6	-	0.3 to 3	7.0	7349
	4	600	2	-	10	-25	65	NBR	341N3196	2995	482740	-	-	-	1.6	6.0/8.0	8017
	4	600	2	10	10	-25	65	NBR	341N3196	-	495900	1-21	Ex d mb IIC T4 to T6	2.5	2	6.0/8.0	8017
	4	600	2	-	10	-25	65	NBR	341N3196	-	495910	0-20	Ex ia IIC T4 to T6	-	0.3 to 3	6.0/8.0	8017
	4	600	2	-	10	-25	65	NBR	341N3196	2995	496125	2-22	Ex nAC IIC T5/T6	-	1.6	6.0/8.0	8017
4	600	2	-	10	-25	65	NBR	341N3197 <sub>3</sub>	2995	482740	-	-	-	1.6	6.0/8.0	8017	
4	600	2	10	10	-25	65	NBR	341N3197 <sub>3</sub>	-	495900	1-21	Ex d mb IIC T4 to T6	2.5	2	6.0/8.0	8017	
4	600	2	-	10	-25	65	NBR	341N3197 <sub>3</sub>	-	495910	0-20	Ex ia IIC T4 to T6	-	0.3 to 3	6.0/8.0	8017	
4	600	2	-	10	-25	65	NBR	341N3197 <sub>3</sub>	2995	496125	2-22	Ex nAC IIC T5/T6	-	1.6	6.0/8.0	8017	

Notes:

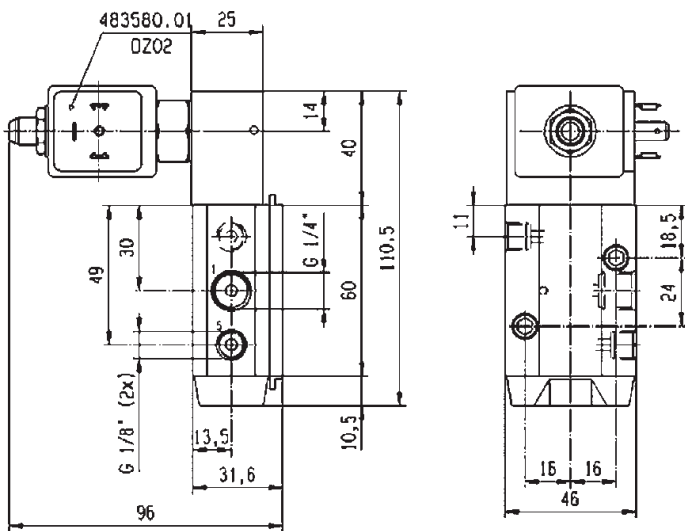
- 1. DC voltage only. Minimum drop off voltage is 15% of nominal voltage (former DIN 19251)
- 2. With captured exhaust
- 3. With manual override



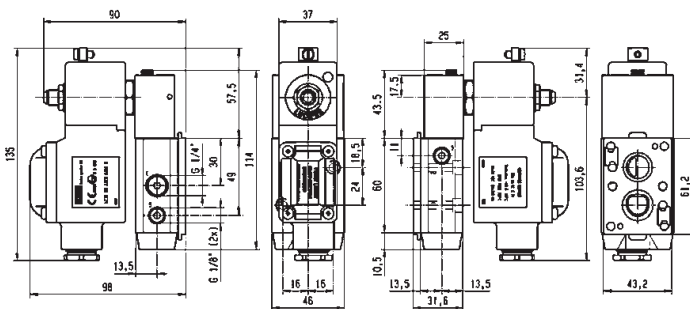
For this page	Port size	Orifice (mm)	Qn (l/min)	MOPD (bar)	Fluid Temp (°C)	Amb Temp (°C)
From	1/8"-1/4"	4	600	10	-40	-25
To	1/8"-1/4"	4	600	10	80	50



Drawing 7295



Drawing 7349

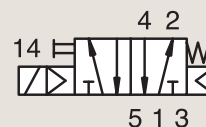


Drawing 8017

3/2-5/2

3 & 5 WAY PNEUMATIC VALVES  
FOR ACTUATOR CONTROL (NAMUR)  
PILOT OPERATED

ANODIZED ALUMINIUM  
NAMUR



SOLENOID OPERATED - SPRING RETURN

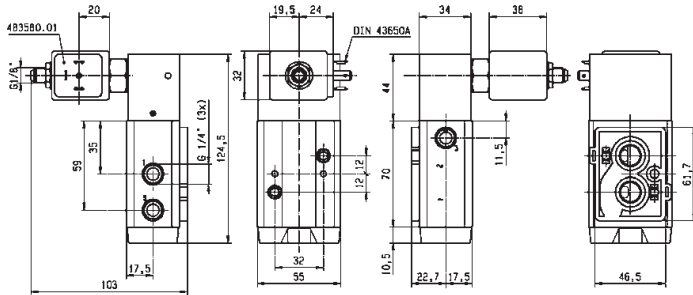
Port size	Orifice Ø	Flow factor	Operating Pressure Differential			Fluid Temp.		Seat Seal	Parker LUCIFER® Valves			ATEX Zone	Protection Mode	Power		Coil Group	Dwg. No.	
			Min	Max (MOPD)	AC bar	DC bar	Min		Max	Valve Ref.	Housing Ref.			Coil Ref.	AC W			DC W
1/8"-1/4"	8	1400	2	-	10	-25	55	NBR	341N3290	2995	483580.01	0-20	Ex ia IIC T6	-	0.5 to 3	7.0	7350	
	8	1400	2	-	10	-25	75	NBR	341N3290	-	488660.01	0-20	Ex ia IIC T6	-	0.3 to 3	7.0	7350	
	8	1400	2	-	10	-25	75	NBR	341N3290	-	495910	0-20	Ex ia IIC T4 to T6	-	0.3 to 3	7.0	7350	
	8	1400	2	-	10	-20	80	NBR	341N3296	2995	482740	-	-	-	1.6	6.0/8.0	8029	
	8	1400	2	10	10	-20	80	NBR	341N3296	-	495900	1-21	Ex d mb IIC T4 to T6	2.5	2	6.0/8.0	8029	
	8	1400	2	-	10	-20	80	NBR	341N3296	-	495910	0-20	Ex ia IIC T4 to T6	-	0.3 to 3	6.0/8.0	8029	
	8	1400	2	-	10	-20	80	NBR	341N3296	2995	496125	2-22	Ex nAC IIC T5/T6	-	1.6	6.0/8.0	8029	
	8	1400	2	-	10	-20	80	NBR	341N3297 <sub>3</sub>	2995	482740	-	-	-	1.6	6.0/8.0	8029	
	8	1400	2	10	10	-20	80	NBR	341N3297 <sub>3</sub>	-	495900	1-21	Ex d mb IIC T4 to T6	2.5	2	6.0/8.0	8029	
	8	1400	2	-	10	-20	80	NBR	341N3297 <sub>3</sub>	-	495910	0-20	Ex ia IIC T4 to T6	-	0.3 to 3	6.0/8.0	8029	
1/4"	7	1250	2.5	10	10	-10	50	NBR	341N05 <sub>3</sub>	-	496131	-	-	3	3	1.2	8162	
	7	1250	2.5	10	10	-10	50	NBR	341N05 <sub>3</sub>	-	496482	-	-	3	3	1.2	8162	
	7	1250	2.5	10	10	-10	50	NBR	341N05 <sub>3</sub>	-	496637	22	Ex tD A22 IP65 - T95°C	3	3	1.2	8162	

Notes:

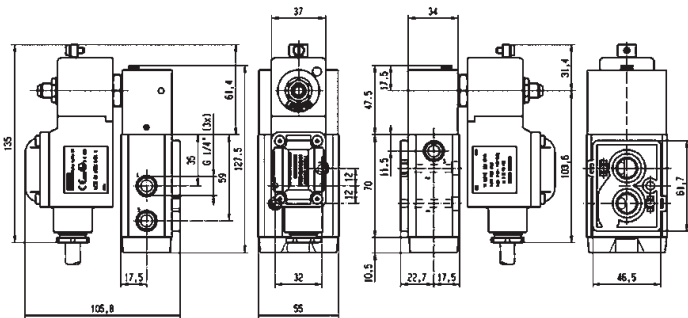
1. DC voltage only. Minimum drop off voltage is 15% of nominal voltage (former DIN 19251)
2. With captured exhaust
3. With manual override



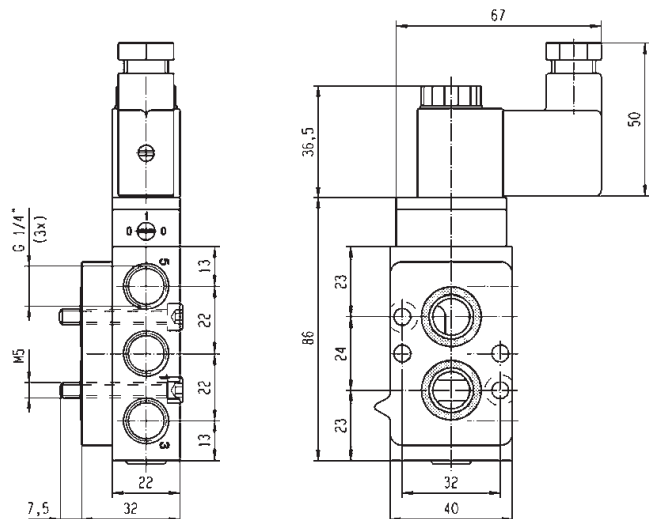
For this page	Port size	Orifice (mm)	Qn (l/min)	MOPD (bar)	Fluid Temp (°C)	Amb Temp (°C)
From	1/8"-1/4"	7	1250	10	-25	-25
To	1/4"	8	1400	10	80	50



Drawing 7350



Drawing 8029

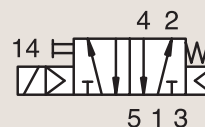


Drawing 8162

3/2-5/2

3 & 5 WAY PNEUMATIC VALVES  
FOR ACTUATOR CONTROL (NAMUR)  
PILOT OPERATED

ANODIZED ALUMINIUM  
NAMUR

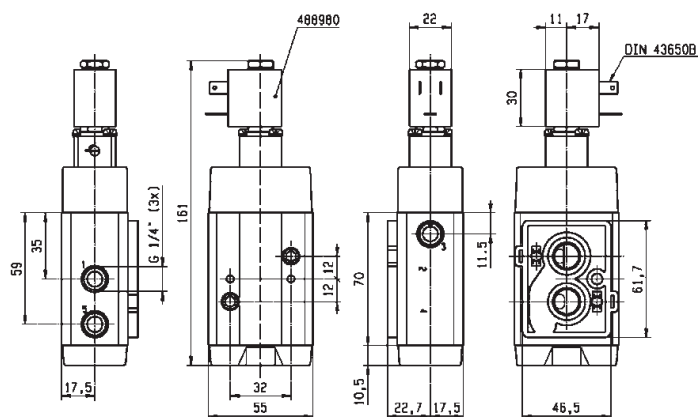


SOLENOID OPERATED - SPRING RETURN

Port size	Orifice Ø	Flow factor	Operating Pressure Differential			Fluid Temp.		Seat Seal	Parker LUCIFER® Valves			ATEX Zone	Protection Mode	Power		Coil Group	Dwg. No.
			Min	Max (MOPD)	AC bar	DC bar	Min		Max	Valve Ref.	Housing Ref.			Coil Ref.	AC W		
BSP	mm	Qn l/min	bar	bar	bar	°C	°C										
1/4"	7	1200	2.5	10	10	-10	50	NBR	341N0502	-	496131	-	-	3	3	1.2	8253
	7	1200	2.5	10	10	-10	50	NBR	341N0502	-	496482	-	-	3	3	1.2	8253
	7	1200	2.5	10	10	-10	50	NBR	341N35 <sub>3</sub>	2995	481865	-	-	8	9	2.1	8213
	7	1200	2.5	10	10	-10	50	NBR	341N35 <sub>3</sub>	2995	495870	2-22	Ex nAC IIC T3/T4	8	9	2.1	8213
	7	1200	2.5	10	10	-10	50	NBR	341N35 <sub>3</sub>	-	495905	1-21	Ex d mb IIC T4	8	8	2.1	8213
	7	1200	2.5	10	10	-10	50	NBR	341N3502	2995	481865	-	-	8	9	2.1	8254
	7	1200	2.5	10	10	-10	50	NBR	341N3502	4270	481000	-	-	8	8	2.1	8254
	8	1400	2	10	10	-25	80	NBR	341N02 <sub>23</sub>	8993	488980	-	-	2	2.5	1.1	7313

Notes:

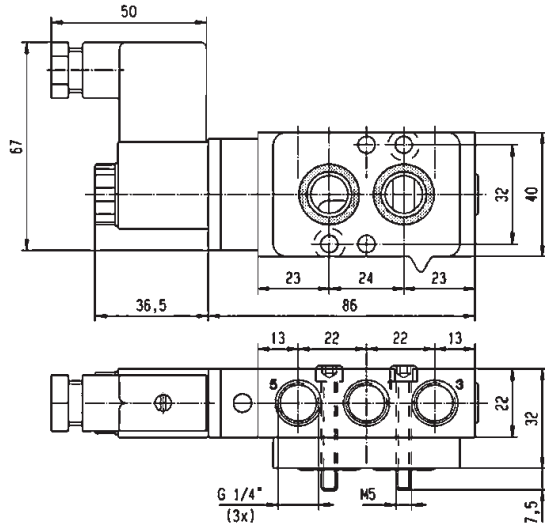
1. DC voltage only. Minimum drop off voltage is 15% of nominal voltage (former DIN 19251)
2. With captured exhaust
3. With manual override



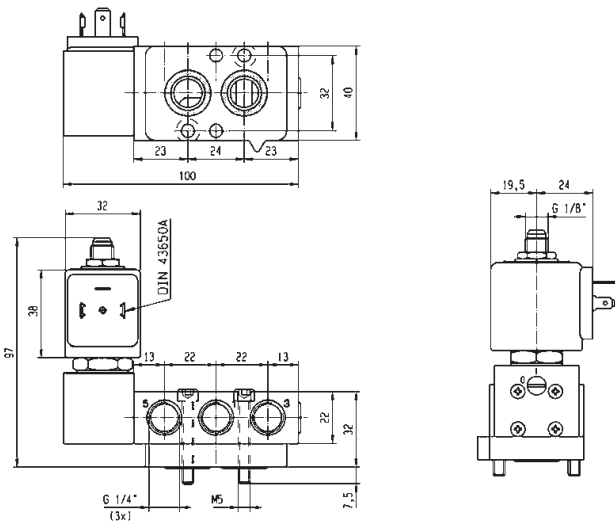
Drawing 7313



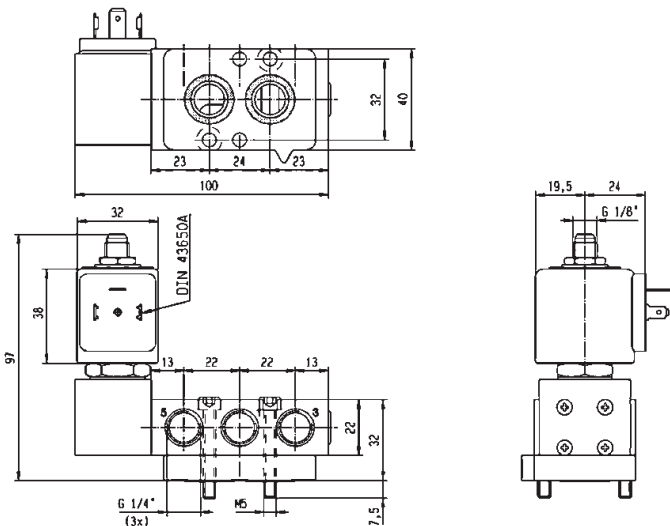
For this page	Port size	Orifice (mm)	Qn (l/min)	MOPD (bar)	Fluid Temp (°C)	Amb Temp (°C)
From	1/4"	7	1200	10	-25	-25
To	1/4"	8	1400	10	80	50



Drawing 8253



Drawing 8213

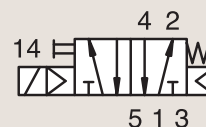


Drawing 8254

3/2-5/2

3 & 5 WAY PNEUMATIC VALVES  
FOR ACTUATOR CONTROL (NAMUR)  
PILOT OPERATED

ANODIZED ALUMINIUM  
NAMUR



SOLENOID OPERATED - SPRING RETURN

Port size	Orifice Ø	Flow factor	Operating Pressure Differential		Fluid Temp.		Seat Seal	Parker LUCIFER® Valves			ATEX Zone	Protection Mode	Power		Coil Group	Dwg. No.	
			Min	Max (MOPD)	Min	Max		Valve Ref.	Housing Ref.	Coil Ref.			AC W	DC W			
BSP	1	Qn l/min	bar	AC bar	DC bar	°C	°C										
1/4"	8	1400	2	10	10	-25	80	NBR	341N12 <sub>23</sub>	8993	488980	-	-	2	2.5	1.1	7312
	8	1400	2	10	10	-25	80	NBR	341N22 <sub>3</sub>	2995	481865	-	-	8	9	2.1	7318
	8	1400	2	10	10	-25	80	NBR	341N22 <sub>3</sub>	4270	481000	-	-	8	8	2.1	7318
	8	1400	2	10	10	-25	80	NBR	341N32 <sub>3</sub>	2995	481865	-	-	8	9	2.1	7317
	8	1400	2	10	10	-25	80	NBR	341N32 <sub>3</sub>	2995	495870	2-22	Ex nAC IIC T3/T4	8	9	2.1	7317
	8	1400	2	10	10	-25	80	NBR	341N32 <sub>3</sub>	-	495905	1-21	Ex d mb IIC T4	8	8	2.1	7317
	8	1400	2	10	10	-25	80	NBR	341N3202	2995	481865	-	-	8	9	2.1	7317
	8	1400	2	10	10	-25	80	NBR	341N3202	2995	495870	2-22	Ex nAC IIC T3/T4	8	9	2.1	7317
	8	1400	2	10	10	-25	80	NBR	341N3202	-	495905	1-21	Ex d mb IIC T4	8	8	2.1	7317

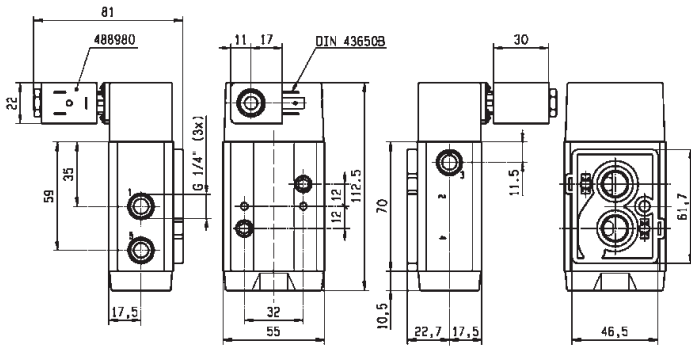
Notes:

1. DC voltage only. Minimum drop off voltage is 15% of nominal voltage (former DIN 19251)
2. With captured exhaust
3. With manual override

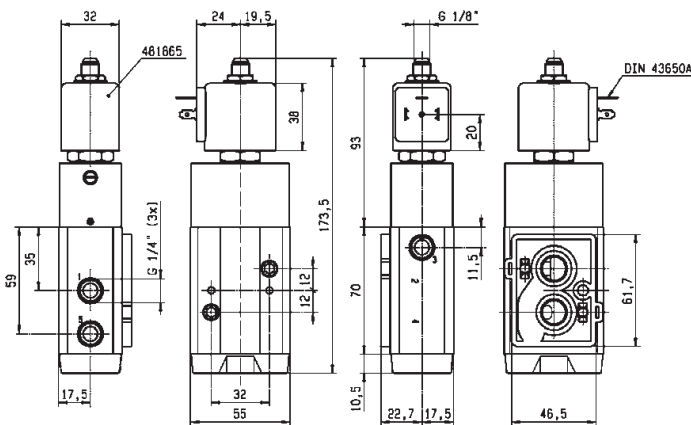




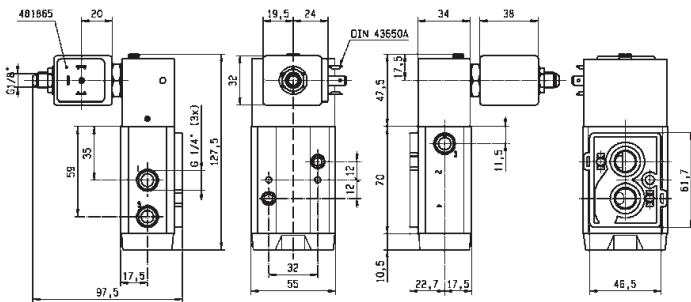
For this page	Port size	Orifice (mm)	Qn (l/min)	MOPD (bar)	Fluid Temp (°C)	Amb Temp (°C)
From	1/4"	8	1400	10	-25	-25
To	1/4"	8	1400	10	80	50



Drawing 7312



Drawing 7318

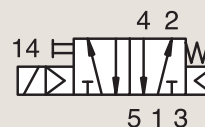


Drawing 7317

# 5/2

## 3 & 5 WAY PNEUMATIC VALVES FOR ACTUATOR CONTROL (NAMUR) PILOT OPERATED

ANODIZED ALUMINIUM  
NAMUR



### SOLENOID OPERATED - SPRING RETURN

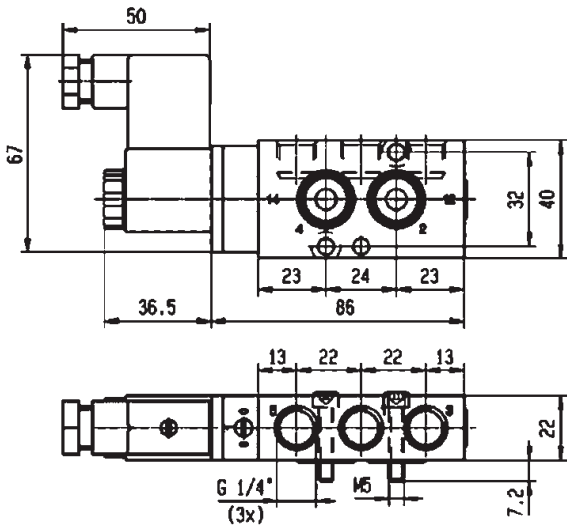
Port size	Orifice Ø	Flow factor	Operating Pressure Differential			Fluid Temp.		Seat Seal	Parker LUCIFER® Valves			ATEX Zone	Protection Mode	Power		Coil Group	Dwg. No.
			Min	Max (MOPD)	AC bar	DC bar	Min		Max	Valve Ref.	Housing Ref.			Coil Ref.	AC W		
1/4"	7	1250	2.5	10	10	-10	50	NBR	341N03 <sub>3</sub>	-	496131	-	-	3	3	1.2	8063
	7	1250	2.5	10	10	-10	50	NBR	341N03 <sub>3</sub>	-	496482	-	-	3	3	1.2	8063
	7	1250	2.5	10	10	-10	50	NBR	341N03 <sub>3</sub>	-	496637	22	Ex tD A22 IP65 - T95°C	3	3	1.2	8063
1/2"	12	3000	2	10	10	-10	50	NBR	341N04 <sub>3</sub>	-	496131	-	-	3	3	1.2	8065
	12	3000	2	10	10	-10	50	NBR	341N04 <sub>3</sub>	-	496482	-	-	3	3	1.2	8065
	12	3000	2	10	10	-10	50	NBR	341N04 <sub>3</sub>	-	496637	22	Ex tD A22 IP65 - T95°C	3	3	1.2	8065
	12	3000	2.5	10	10	-10	50	NBR	341N34 <sub>3</sub>	2995	481865	-	-	8	9	2.1	8211
	12	3000	2.5	10	10	-10	50	NBR	341N34 <sub>3</sub>	2995	495870	2-22	Ex nAC IIC T3/T4	8	9	2.1	8211
	12	3000	2.5	10	10	-10	50	NBR	341N34 <sub>3</sub>	-	495905	1-21	Ex d mb IIC T4	8	8	2.1	8211

**Notes:**

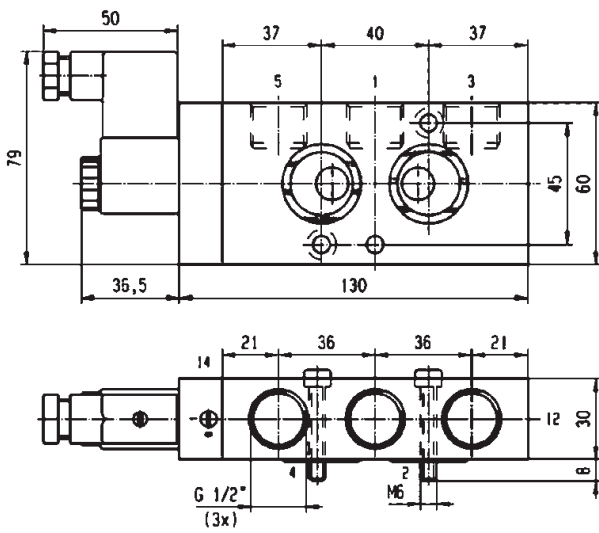
1. DC voltage only. Minimum drop off voltage is 15% of nominal voltage (former DIN 19251)
2. With captured exhaust
3. With manual override



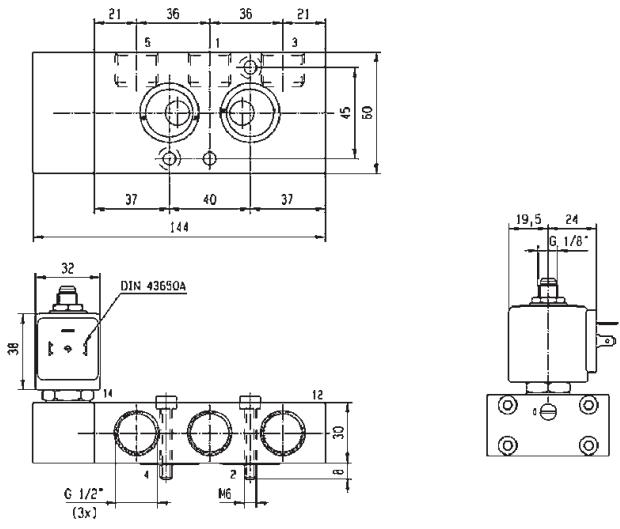
For this page	Port size	Orifice (mm)	Qn (l/min)	MOPD (bar)	Fluid Temp (°C)	Amb Temp (°C)
From	1/4"	7	1250	10	-10	-10
To	1/2"	12	3000	10	50	50



Drawing 8063



Drawing 8065

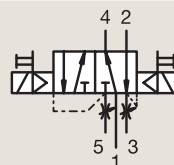


Drawing 8211

# 5/2

## 3 & 5 WAY PNEUMATIC VALVES FOR ACTUATOR CONTROL (NAMUR) PILOT OPERATED

ANODIZED ALUMINIUM  
NAMUR



### DUAL SOLENOIDS

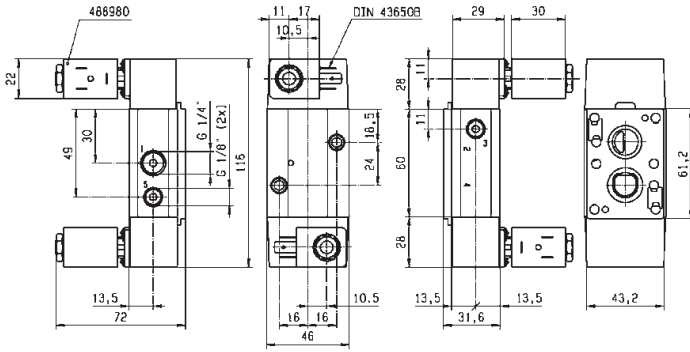
Port size	Orifice Ø	Flow factor	Operating Pressure Differential			Fluid Temp.		Seat Seal	Parker LUCIFER® Valves			ATEX Zone	Protection Mode	Power		Coil Group	Dwg. No.
			Min	Max (MOPD)	DC	Min	Max		Valve Ref.	Housing Ref.	Coil Ref.			AC W	DC W		
BSP	1	Qn l/min	bar	AC bar	DC bar	°C	°C										
1/8"- 1/4"	4	400	2	10	10	-25	50	NBR	347N11 <sub>12</sub>	-	482606	1-21	Ex mb IIC T4/T5	2	2.5	1.1	7305
	4	400	2	10	10	-25	80	NBR	347N11 <sub>12</sub>	8993	488980	-	-	2	2.5	1.1	7305
	4	400	2	10	10	-25	80	FKM	347N31 <sub>2</sub>	2995	481865	-	-	8	9	2.1	7297
	4	400	2	10	10	-25	80	FKM	347N31 <sub>2</sub>	2995	495870	2-22	Ex nAC IIC T3/T4	8	9	2.1	7297
	4	400	2	10	10	-25	80	FKM	347N31 <sub>2</sub>	-	495905	1-21	Ex d mb IIC T4	8	8	2.1	7297
	4	400	2	-	10	-25	55	PUR	347N3190	2995	483580.01	0-20	Ex ia IIC T6	-	0.5 to 3	7.0	8141
	4	400	2	-	10	-25	65	FKM	347N3197 <sub>2</sub>	2995	482740	-	-	-	1.6	3.0/6.0/8.0	7297
	4	400	2	10	10	-25	65	FKM	347N3197 <sub>2</sub>	-	495900	1-21	Ex d mb IIC T4 to T6	2.5	2	3.0/6.0/8.0	7297
	4	400	2	-	10	-25	65	FKM	347N3197 <sub>2</sub>	-	495910	0-20	Ex ia IIC T4 to T6	-	0.3 to 3	3.0/6.0/8.0	7297
	4	400	2	-	10	-25	65	FKM	347N3197 <sub>2</sub>	2995	496125	2-22	Ex nAC IIC T5/T6	-	1.6	3.0/6.0/8.0	7297

**Notes:**

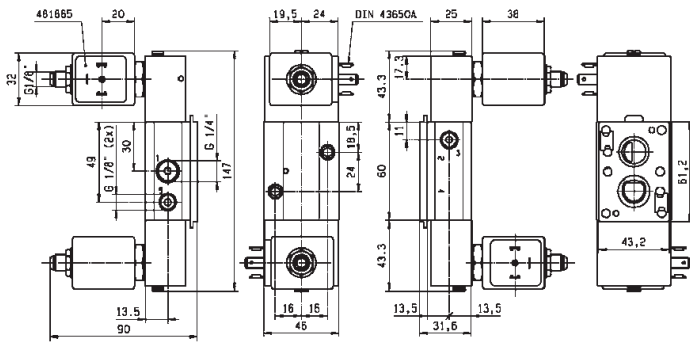
- 1. With captured exhaust
- 2. With manual override



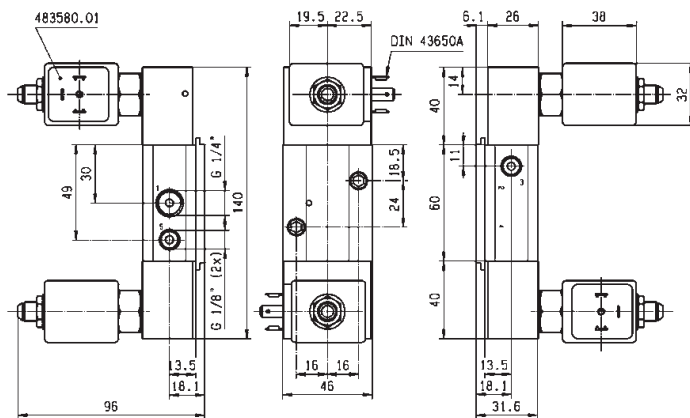
For this page	Port size	Orifice (mm)	Qn (l/min)	MOPD (bar)	Fluid Temp (°C)	Amb Temp (°C)
From	1/8"-1/4"	4	400	10	-25	-25
To	1/8"-1/4"	4	400	10	80	50



Drawing 7305



Drawing 7297

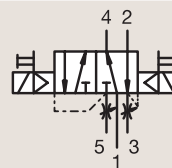


Drawing 8141

# 5/2

## 3 & 5 WAY PNEUMATIC VALVES FOR ACTUATOR CONTROL (NAMUR) PILOT OPERATED

ANODIZED ALUMINIUM  
NAMUR

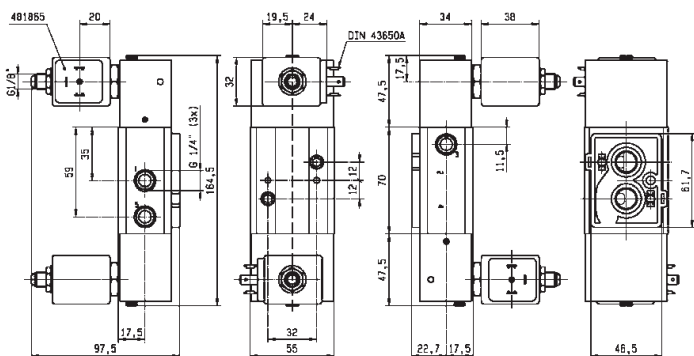


### DUAL SOLENOIDS

Port size	Orifice Ø	Flow factor	Operating Pressure Differential			Fluid Temp.		Seat Seal	Parker LUCIFER® Valves			ATEX Zone	Protection Mode	Power		Coil Group	Dwg. No.
			Min	Max (MOPD)	Max	Min	Max		Valve Ref.	Housing Ref.	Coil Ref.			AC W	DC W		
BSP	1	Qn l/min	bar	AC bar	DC bar	°C	°C										
1/4"	7	1250	1.5	10	10	-10	50	NBR	347N03 <sub>2</sub>	-	496131	-	-	3	3	1.2	8057
	7	1250	1.5	10	10	-10	50	NBR	347N03 <sub>2</sub>	-	496482	-	-	3	3	1.2	8057
	7	1250	1.5	10	10	-10	50	NBR	347N03 <sub>2</sub>	-	496637	22	Ex tD A22 IP65 - T95°C	3	3	1.2	8057
	7	1250	2.5	10	10	-10	120	NBR	347N33 <sub>2</sub>	2995	481865	-	-	8	9	2.1	8209
	7	1250	2.5	10	10	-10	120	NBR	347N33 <sub>2</sub>	2995	495870	2-22	Ex nAC IIC T3/T4	8	9	2.1	8209
	7	1250	2.5	10	10	-10	120	NBR	347N33 <sub>2</sub>	-	495905	1-21	Ex d mb IIC T4	8	8	2.1	8209
	8	1400	2	10	10	-10	65	NBR	347N12 <sub>12</sub>	-	482606	1-21	Ex mb IIC T4/T5	2	2.5	1.1	7315
	8	1400	2	10	10	-25	80	NBR	347N12 <sub>12</sub>	8993	488980	-	-	2	2.5	1.1	7315
	8	1400	2	10	10	-25	80	NBR	347N32 <sub>2</sub>	2995	481865	-	-	8	9	2.1	7320
	8	1400	2	10	10	-25	80	NBR	347N32 <sub>2</sub>	2995	495870	2-22	Ex nAC IIC T3/T4	8	9	2.1	7320
8	1400	2	10	10	-25	80	NBR	347N32 <sub>2</sub>	-	495905	1-21	Ex d mb IIC T4	8	8	2.1	7320	

**Notes:**

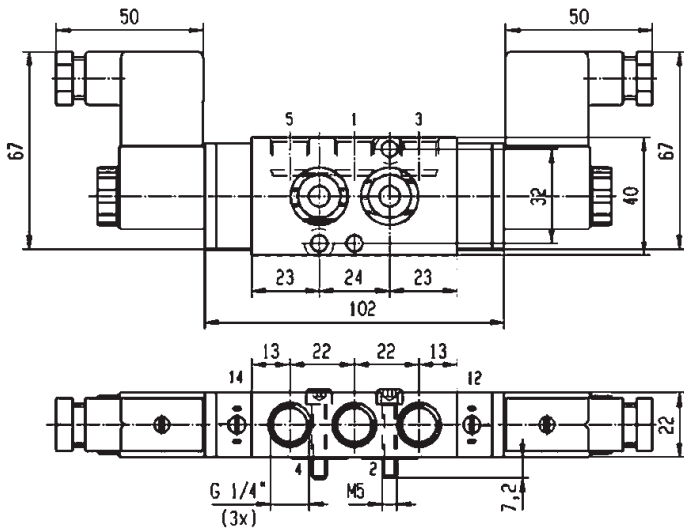
- 1. With captured exhaust
- 2. With manual override



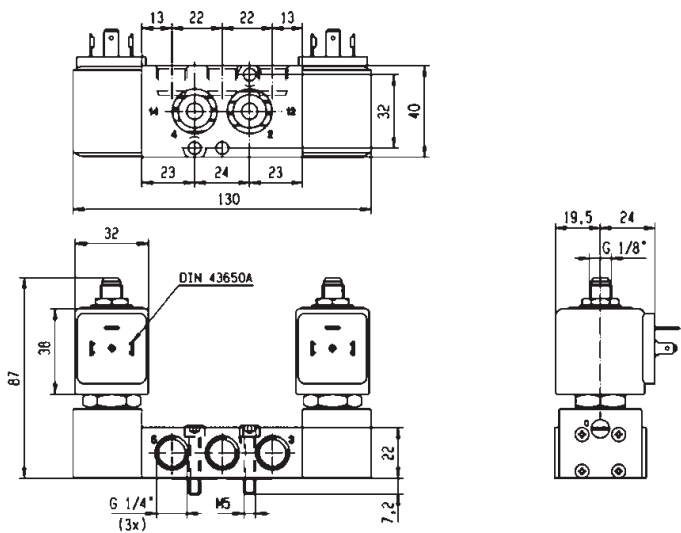
Drawing 7320



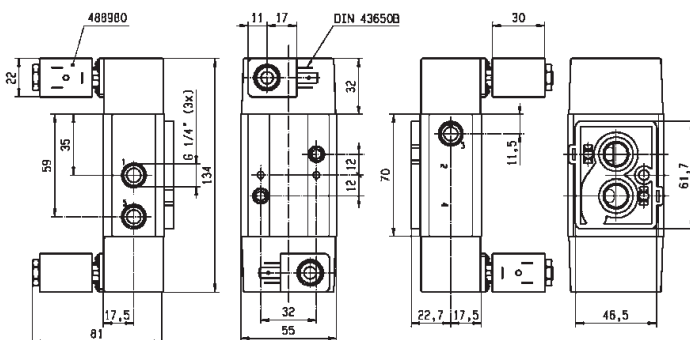
For this page	Port size	Orifice (mm)	Qn (l/min)	MOPD (bar)	Fluid Temp (°C)	Amb Temp (°C)
From	1/4"	7	1250	10	-25	-25
To	1/4"	8	1400	10	120	50



Drawing 8057



Drawing 8209

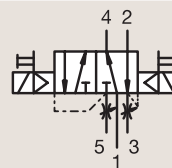


Drawing 7315

# 5/2

## 3 & 5 WAY PNEUMATIC VALVES FOR ACTUATOR CONTROL (NAMUR) PILOT OPERATED

ANODIZED ALUMINIUM  
NAMUR



### DUAL SOLENOIDS

Port size	Orifice Ø	Flow factor	Operating Pressure Differential			Fluid Temp.		Seat Seal	Parker LUCIFER® Valves			ATEX Zone	Protection Mode	Power		Coil Group	Dwg. No.
			Min	Max (MOPD)	DC bar	Min	Max		Valve Ref.	Housing Ref.	Coil Ref.			AC W	DC W		
1/2"	12	3000	1.5	10	10	-10	50	NBR	347N04 <sub>2</sub>	-	496131	-	-	3	3	1.2	8154
	12	3000	1.5	10	10	-10	50	NBR	347N04 <sub>2</sub>	-	496482	-	-	3	3	1.2	8154
	12	3000	1.5	10	10	-10	50	NBR	347N04 <sub>2</sub>	-	496637	22	Ex tD A22 IP65 - T95°C	3	3	1.2	8154
	12	3000	2.5	10	10	-10	120	NBR	347N34 <sub>2</sub>	2995	481865	-	-	8	9	2.1	8212
	12	3000	2.5	10	10	-10	120	NBR	347N34 <sub>2</sub>	2995	495870	2-22	Ex nAC IIC T3/T4	8	9	2.1	8212
	12	3000	2.5	10	10	-10	120	NBR	347N34 <sub>2</sub>	-	495905	1-21	Ex d mb IIC T4	8	8	2.1	8212

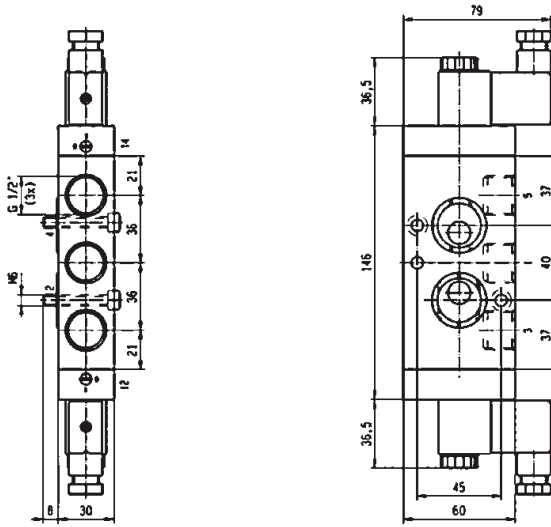
**Notes:**

- 1. With captured exhaust
- 2. With manual override

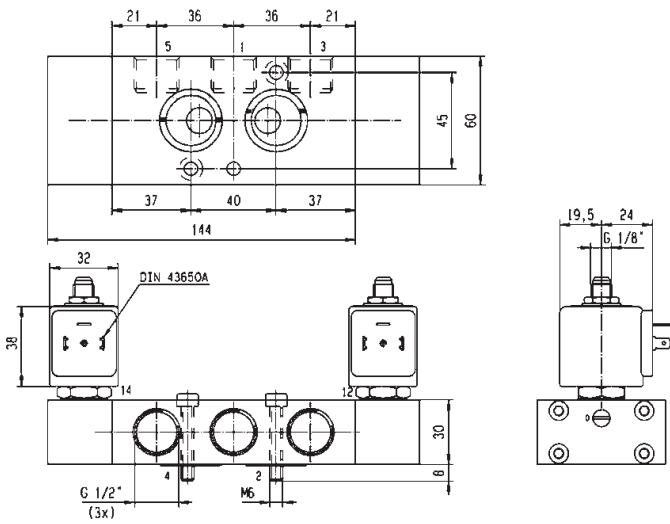




For this page	Port size	Orifice (mm)	Qn (l/min)	MOPD (bar)	Fluid Temp (°C)	Amb Temp (°C)
From	1/2"	12	3000	10	-10	-10
To	1/2"	12	3000	10	120	50



Drawing 8154



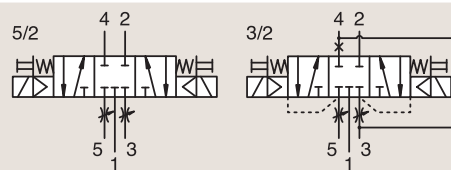
Drawing 8212

# 5/3

## 3 & 5 WAY PNEUMATIC VALVES FOR ACTUATOR CONTROL (NAMUR) PILOT OPERATED

### ANODIZED ALUMINIUM NAMUR

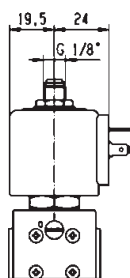
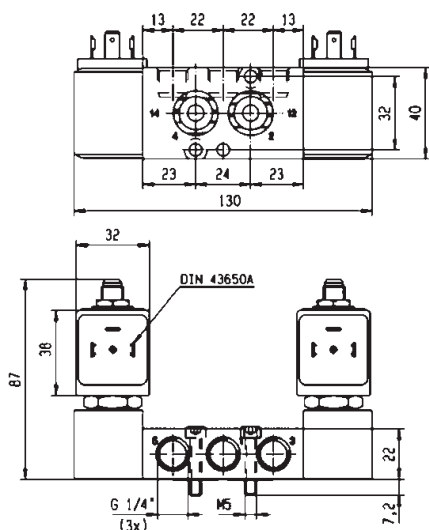
#### W1 CLOSED CENTER POSITION



Port size	Orifice Ø	Flow factor	Operating Pressure Differential			Fluid Temp.		Seat Seal	Parker LUCIFER® Valves			ATEX Zone	Protection Mode	Power		Coil Group	Dwg. No.
			Min	Max (MOPD)	DC bar	Min	Max		Valve Ref.	Housing Ref.	Coil Ref.			AC W	DC W		
BSP	1	Qn l/min	bar	AC bar	DC bar	°C	°C										
1/8"-1/4"	4	400	2	10	10	-25	80	NBR	342N11 <sub>12</sub>	-	482606	1-21	Ex mb IIC T4/T5	2	2.5	1.1	7305
	4	400	2	10	10	-25	80	NBR	342N11 <sub>12</sub>	8993	488980	-	-	2	2.5	1.1	7305
1/4"	4	400	2	-	10	-10	65	NBR	342N3197 <sub>2</sub>	-	495910	0-20	Ex ia IIC T4 to T6	-	0.3 to 3	6.0/8.0	7297
	7	1250	3	10	10	-10	50	NBR	342N03 <sub>2</sub>	-	496131	-	-	3	3	1.2	8057
	7	1250	3	10	10	-10	50	NBR	342N03 <sub>2</sub>	-	496482	-	-	3	3	1.2	8057
	7	1250	3	10	10	-10	50	NBR	342N03 <sub>2</sub>	-	496637	22	Ex tD A22 IP65 - T95°C	3	3	1.2	8057
	7	1250	2.5	10	10	-10	120	NBR	342N33 <sub>2</sub>	2995	481865	-	-	8	9	2.1	8209
	7	1250	2.5	10	10	-10	120	NBR	342N33 <sub>2</sub>	2995	495870	2-22	Ex nAC IIC T3/T4	8	9	2.1	8209
	7	1250	2.5	10	10	-10	120	NBR	342N33 <sub>2</sub>	-	495905	1-21	Ex d mb IIC T4	8	8	2.1	8209

**Notes:**

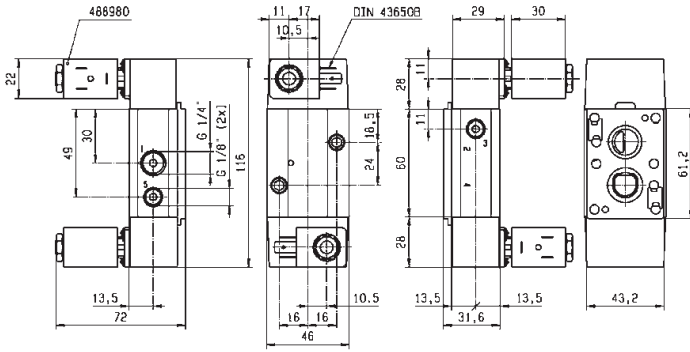
- 1. With captured exhaust
- 2. With manual override



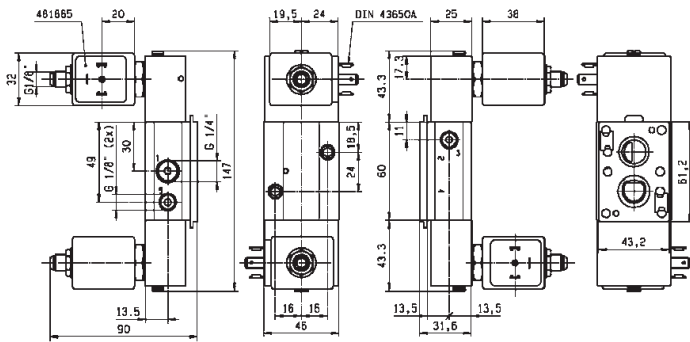
Drawing 8209



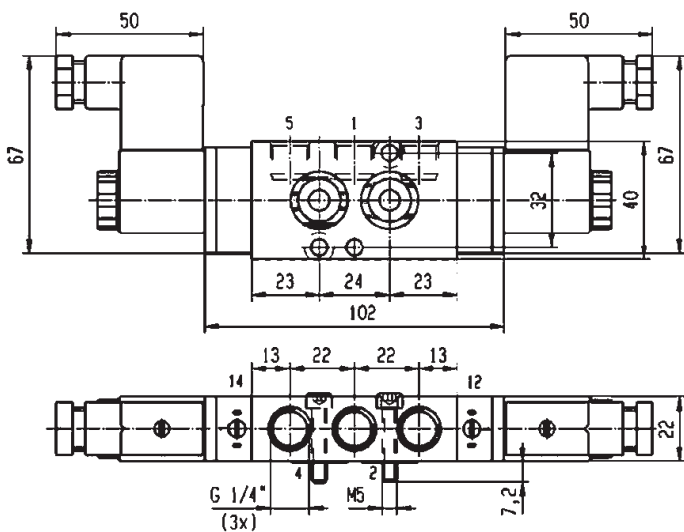
For this page	Port size	Orifice (mm)	Qn (l/min)	MOPD (bar)	Fluid Temp (°C)	Amb Temp (°C)
From	1/8"-1/4"	4	400	10	-25	-25
To	1/4"	7	1250	10	120	50



Drawing 7305



Drawing 7297

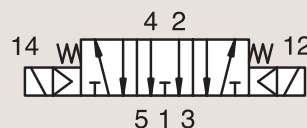


Drawing 8057

# 5/3

## 3 & 5 WAY PNEUMATIC VALVES FOR ACTUATOR CONTROL (NAMUR) PILOT OPERATED

ANODIZED ALUMINIUM  
NAMUR



### W3 EXHAUSTED IN CENTER POSITION

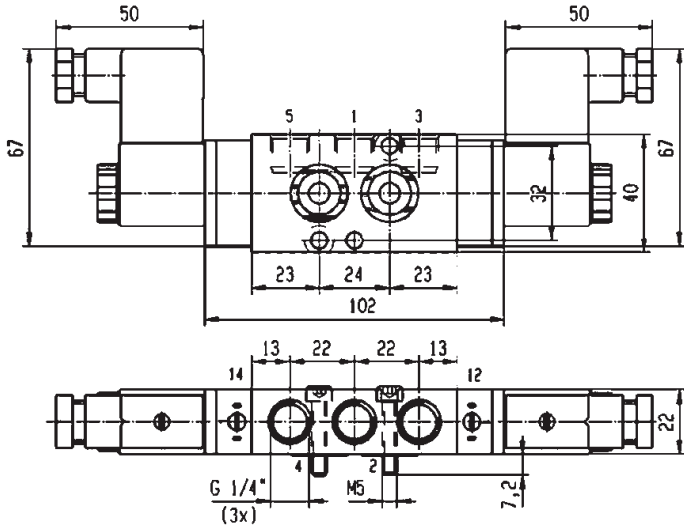
Port size	Orifice Ø	Flow factor	Operating Pressure Differential			Fluid Temp.		Seat Seal	Parker LUCIFER® Valves			ATEX Zone	Protection Mode	Power		Coil Group	Dwg. No.
			Min	Max (MOPD)	AC bar	DC bar	Min		Max	Valve Ref.	Housing Ref.			Coil Ref.	AC W		
BSP	1	Qn l/min	bar	bar	bar	°C	°C										
	7	1250	3	10	10	-10	50	NBR	343N03 <sub>1</sub>	-	496131	-	-	3	3	1.2	8057
1/4"	7	1250	3	10	10	-10	50	NBR	343N03 <sub>1</sub>	-	496482	-	-	3	3	1.2	8057
	7	1250	3	10	10	-10	50	NBR	343N03 <sub>1</sub>	-	496637	22	Ex tD A22 IP65 - T95°C	3	3	1.2	8057

**Notes:**

1. With manual override



For this page	Port size	Orifice (mm)	Qn (l/min)	MOPD (bar)	Fluid Temp (°C)	Amb Temp (°C)
From	1/4"	7	1250	10	-10	-10
To	1/4"	7	1250	10	50	50



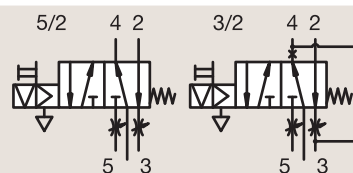
Drawing 8057

# 3/2-5/2

## 3 & 5 WAY PNEUMATIC VALVES FOR ACTUATOR CONTROL (NAMUR) PILOT OPERATED

ANODIZED ALUMINIUM  
NAMUR

CONTROL BY ELECTRIC IMPULSE



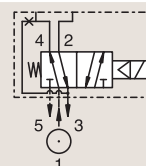
Port size	Orifice Ø	Flow factor	Operating Pressure Differential			Fluid Temp.		Seat Seal	Parker LUCIFER® Valves			ATEX Zone	Protection Mode	Power		Coil Group	Dwg. No.
			Min	Max (MOPD)	Min	Max	Valve Ref.		Housing Ref.	Coil Ref.	AC W			DC W			
BSP	mm	Qn l/min	bar	AC bar	DC bar	°C	°C										
1/8"-1/4"	4	600	2	-	10	-25	80	FKM/NBR	345N31 <sub>12</sub>	4269	485400	-	-	-	13	4.0	7295

**Notes:**

- 1. Pilot seat in FKM
- 2. With manual override

ANODIZED ALUMINIUM  
NAMUR

SOLENOID OPERATED - SPRING RETURN



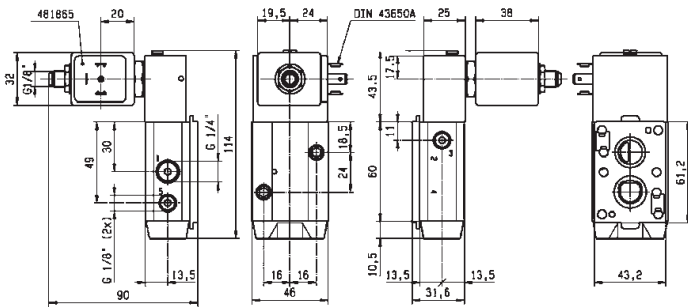
Port size	Orifice Ø	Flow factor	Operating Pressure Differential			Fluid Temp.		Seat Seal	Parker LUCIFER® Valves			ATEX Zone	Protection Mode	Power		Coil Group	Dwg. No.
			Min	Max (MOPD)	Min	Max	Valve Ref.		Housing Ref.	Coil Ref.	AC W			DC W			
BSP	mm	Qn l/min	bar	AC bar	DC bar	°C	°C										
1/8"-1/4"	4	355	1	10	10	-10	75	NBR	341L9504 <sub>12</sub>	-	482605	1-21	Ex mb IIC T4	4	5	1.1	7009
	4	355	1	10	10	-10	75	NBR	341L9504 <sub>12</sub>	-	482606	1-21	Ex mb IIC T4/T5	2	2.5	1.1	7009
	4	355	1	10	10	-10	75	NBR	341L9504 <sub>12</sub>	8993	488980	-	-	2	2.5	1.1	7009
	4	355	1	10	10	-10	75	NBR	341L9504 <sub>12</sub>	8993	495865	2-22	Ex nAC IIC T5	2	2.5	1.1	7009
	4	355	1	10	10	-10	75	NBR	341L9534 <sub>12</sub>	2995	481865	-	-	8	9	2.1/7.0	3990
	4	355	1	10	10	-10	75	NBR	341L9534 <sub>12</sub>	2995	495870	2-22	Ex nAC IIC T3/T4	8	9	2.1/7.0	3990
	4	355	1	10	10	-10	75	NBR	341L9534 <sub>12</sub>	-	495905	1-21	Ex d mb IIC T4	8	8	2.1/7.0	3990

**Notes:**

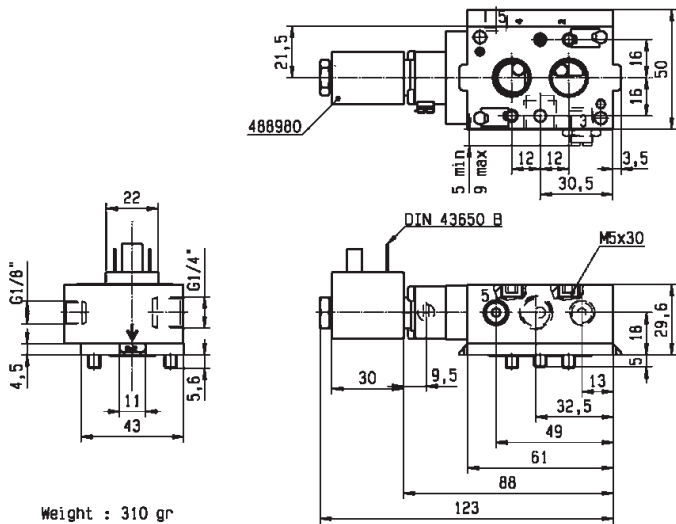
- 1. Pilot seat in FKM
- 2. With manual override



For this page	Port size	Orifice (mm)	Qn (l/min)	MOPD (bar)	Fluid Temp (°C)	Amb Temp (°C)
From	1/8"-1/4"	4	355	10	-25	-25
To	1/8"-1/4"	4	600	10	80	50



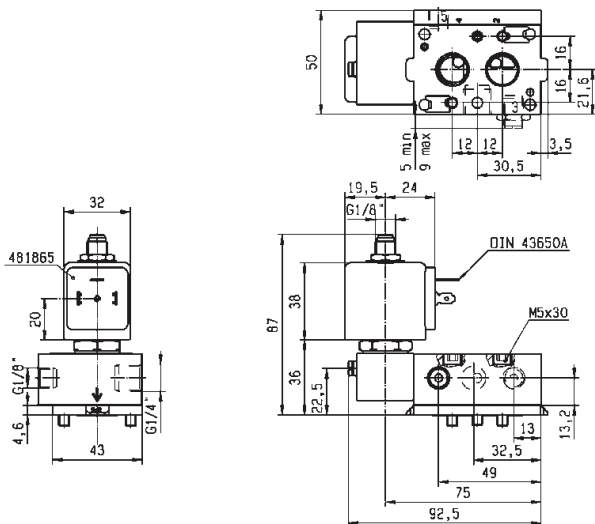
Drawing 7295



Weight : 310 gr



Drawing 7009



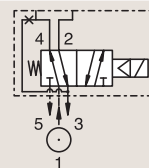
Drawing 3990

3/2-5/2

3 & 5 WAY PNEUMATIC VALVES  
FOR ACTUATOR CONTROL (NAMUR)  
PILOT OPERATED

ANODIZED ALUMINIUM  
NAMUR

SOLENOID OPERATED - SPRING RETURN



Port size	Orifice Ø	Flow factor	Operating Pressure Differential			Fluid Temp.		Seat Seal	Parker LUCIFER® Valves			ATEX Zone	Protection Mode	Power		Coil Group	Dwg. No.
			Min	Max (MOPD)	Max	Min	Max		Valve Ref.	Housing Ref.	Coil Ref.			AC W	DC W		
BSP	1	Qn l/min	bar	AC bar	DC bar	°C	°C										
1/8"-1/4"	4	355	2	-	10	-10	55	NBR	341L9594	2995	483580.01	0-20	Ex ia IIC T6	-	0.5 to 3	7.0	3992
	4	355	1	-	10	-10	75	NBR	341L9594 <sub>1,2</sub>	-	495910	0-20	Ex ia IIC T4 to T6	-	0.3 to 3	7.0	3992
	4	355	2	-	10	-10	75	NBR/PUR	341L9597 <sub>2</sub>	2995	482740	-	-	-	1.6	6.0/8.0	8025
	4	355	2	10	10	-10	75	NBR/PUR	341L9597 <sub>2</sub>	-	495900	1-21	Ex d mb IIC T4 to T6	2.5	2	6.0/8.0	8025
	4	355	2	-	10	-10	75	NBR/PUR	341L9597 <sub>2</sub>	-	495910	0-20	Ex ia IIC T4 to T6	-	0.3 to 3	6.0/8.0	8025
	4	355	2	-	10	-10	75	NBR/PUR	341L9597 <sub>2</sub>	2995	496125	2-22	Ex nAC IIC T5/T6	-	1.6	6.0/8.0	8025
	4	355	2	-	10	-25	55	NBR/PUR	341L9598	2995	483580.01	0-20	Ex ia IIC T6	-	0.5 to 3	7.0	3992

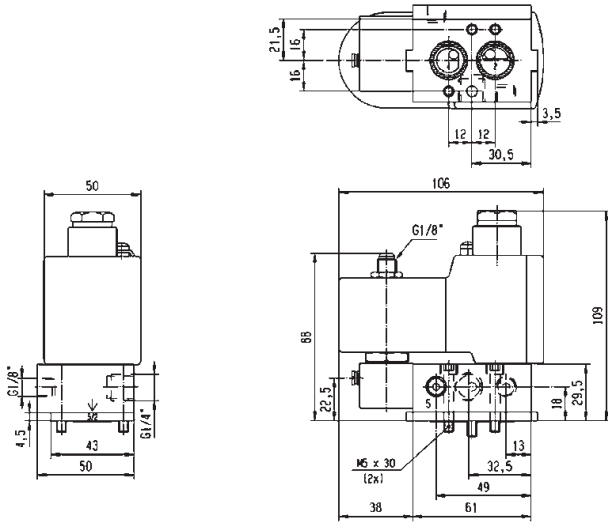
Notes:

1. Pilot seat in FKM
2. With manual override

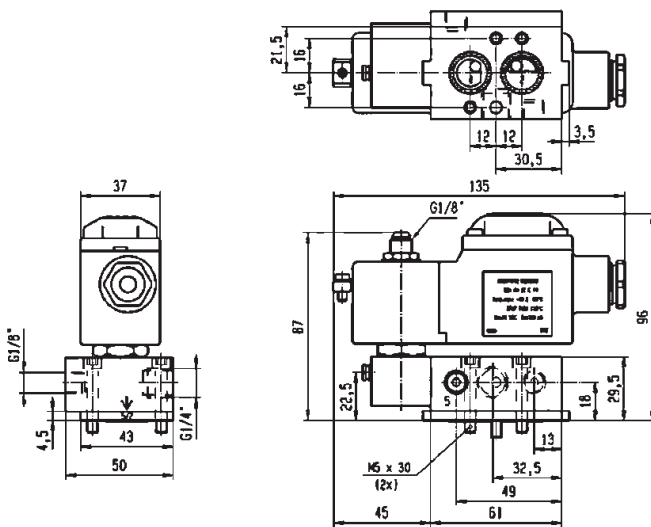




For this page	Port size	Orifice (mm)	Qn (l/min)	MOPD (bar)	Fluid Temp (°C)	Amb Temp (°C)
From	1/8"-1/4"	4	355	10	-25	-10
To	1/8"-1/4"	4	355	10	75	50



Drawing 3992



Drawing 8025

# 3/2

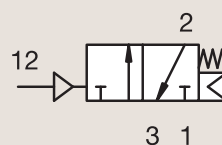
## 3 & 5 WAY PNEUMATIC VALVES FOR ACTUATOR CONTROL (NAMUR) EXTERNALLY OPERATED



Process

### ANODIZED ALUMINIUM NAMUR

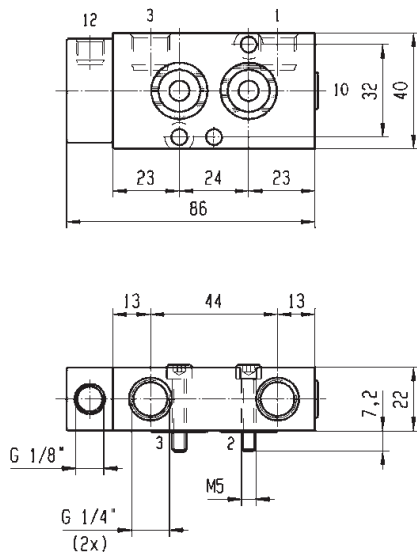
#### AIR OPERATED - SPRING RETURN



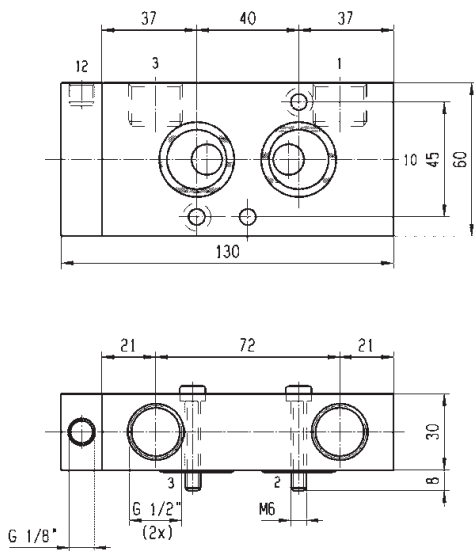
Port size	Orifice Ø	Flow factor	Operating Pressure Differential			Fluid Temp.		Seat Seal	Parker LUCIFER® Valves			ATEX Zone	Protection Mode	Power		Coil Group	Dwg. No.
			Min	Max (MOPD)	AC	DC	Min		Max	Valve Ref.	Housing Ref.			Coil Ref.	AC W		
BSP	mm	Qn l/min	bar	bar	bar	°C	°C										
1/4"	7	1250	2.5	10	10	-10	50	NBR	531N03	-	-	-	-	-	-	-	8058
1/2"	12	3000	2.5	10	10	-10	50	NBR	531N04	-	-	-	-	-	-	-	8061



For this page	Port size	Orifice (mm)	Qn (l/min)	MOPD (bar)	Fluid Temp (°C)	Amb Temp (°C)
From	1/4"	7	1250	10	-10	-10
To	1/2"	12	3000	10	50	50



Drawing 8058



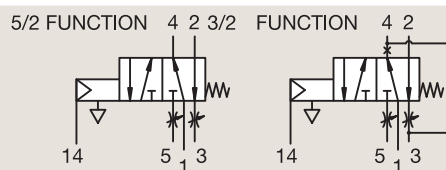
Drawing 8061

# 3/2-5/2

## 3 & 5 WAY PNEUMATIC VALVES FOR ACTUATOR CONTROL (NAMUR) EXTERNALLY OPERATED

ANODIZED ALUMINIUM  
NAMUR

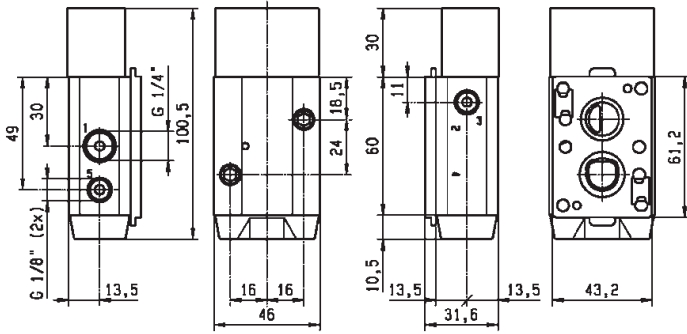
**AIR OPERATED - SPRING RETURN**



Port size	Orifice Ø	Flow factor	Operating Pressure Differential			Fluid Temp.		Seat Seal	Parker LUCIFER® Valves			ATEX Zone	Protection Mode	Power		Coil Group	Dwg. No.
			Min	Max (MOPD)	AC bar	DC bar	Min		Max	Valve Ref.	Housing Ref.			Coil Ref.	AC W		
BSP	1	Qn l/min	bar	bar	bar	°C	°C										
1/8"-1/4"	4	600	2	10	10	-25	80	NBR	541N01	-	-	-	-	-	-	-	7309
	4	600	2	10	10	-40	50	NBR	541N0108	-	-	-	-	-	-	-	7309



For this page	Port size	Orifice (mm)	Qn (l/min)	MOPD (bar)	Fluid Temp (°C)	Amb Temp (°C)
From	1/8"-1/4"	4	600	10	-40	-40
To	1/8"-1/4"	4	600	10	80	50



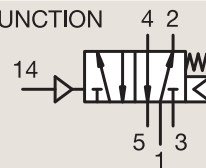
Drawing 7309

# 5/2

## 3 & 5 WAY PNEUMATIC VALVES FOR ACTUATOR CONTROL (NAMUR) EXTERNALLY OPERATED

ANODIZED ALUMINIUM  
NAMUR

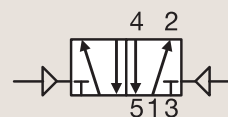
5/2 FUNCTION



**AIR OPERATED - SPRING RETURN**

Port size	Orifice Ø	Flow factor	Operating Pressure Differential			Fluid Temp.		Seat Seal	Parker LUCIFER® Valves			ATEX Zone	Protection Mode	Power		Coil Group	Dwg. No.
			Min	Max (MOPD)	AC bar	DC bar	Min		Max	Valve Ref.	Housing Ref.			Coil Ref.	AC W		
1/4"	7	1250	2.5	10	10	-10	50	NBR	541N03	-	-	-	-	-	-	-	8064
1/2"	12	3000	2.5	10	10	-10	50	NBR	541N04	-	-	-	-	-	-	-	8066

ANODIZED ALUMINIUM  
NAMUR

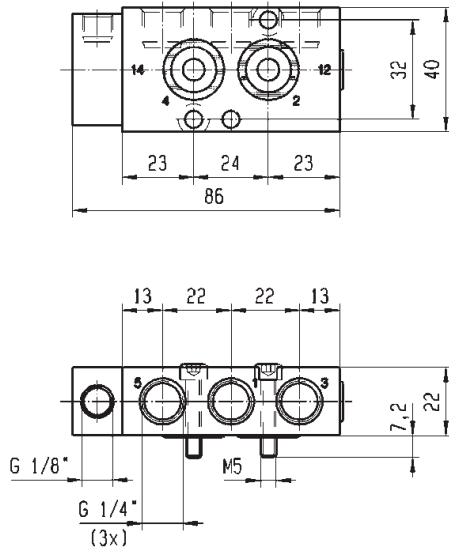


**AIR OPERATED AND RETURN**

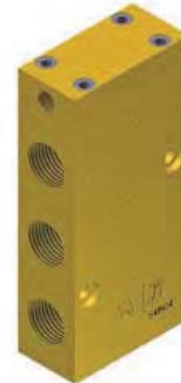
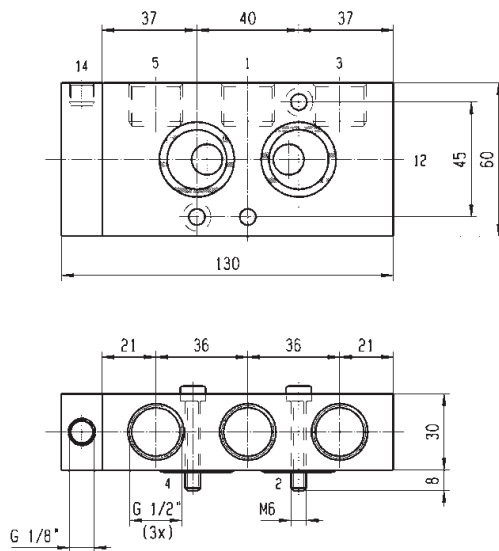
Port size	Orifice Ø	Flow factor	Operating Pressure Differential			Fluid Temp.		Seat Seal	Parker LUCIFER® Valves			ATEX Zone	Protection Mode	Power		Coil Group	Dwg. No.
			Min	Max (MOPD)	AC bar	DC bar	Min		Max	Valve Ref.	Housing Ref.			Coil Ref.	AC W		
1/4"	7	1250	2.5	10	10	-10	50	NBR	547N03	-	-	-	-	-	-	-	8059



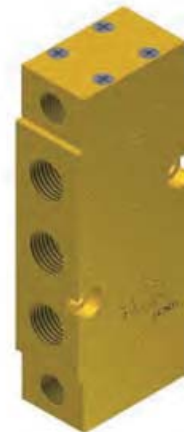
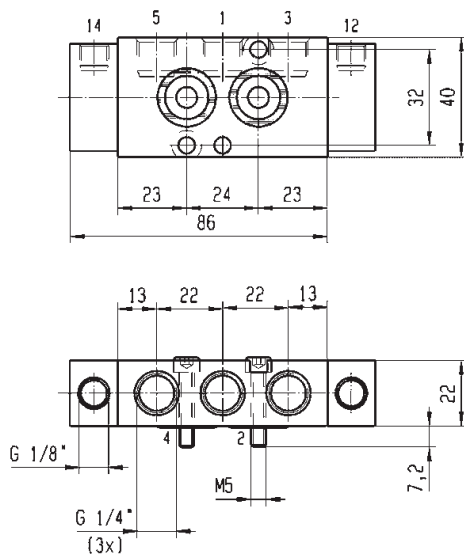
For this page	Port size	Orifice (mm)	Qn (l/min)	MOPD (bar)	Fluid Temp (°C)	Amb Temp (°C)
From	1/4"	7	1250	10	-10	-10
To	1/2"	12	3000	10	50	50



Drawing 8064



Drawing 8066

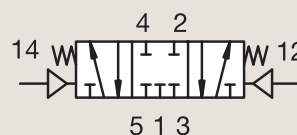


Drawing 8059

# 5/3

## 3 & 5 WAY PNEUMATIC VALVES FOR ACTUATOR CONTROL (NAMUR) EXTERNALLY OPERATED

ANODIZED ALUMINIUM  
NAMUR



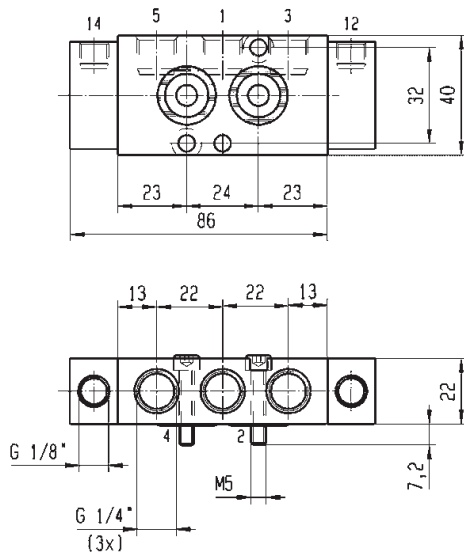
### W1 CLOSED CENTER POSITION

Port size	Orifice Ø	Flow factor	Operating Pressure Differential			Fluid Temp.		Seat Seal	Parker LUCIFER® Valves			ATEX Zone	Protection Mode	Power		Coil Group	Dwg. No.
			Min	Max (MOPD)	Min	Max	Valve Ref.		Housing Ref.	Coil Ref.	AC W			DC W			
BSP	mm	Qn l/min	bar	AC bar	DC bar	°C	°C										
1/4"	7	1250	2.5	10	10	-10	50	NBR	542N03	-	-	-	-	-	-	-	8059





For this page	Port size	Orifice (mm)	Qn (l/min)	MOPD (bar)	Fluid Temp (°C)	Amb Temp (°C)
From	1/4"	7	1250	10	-10	-10
To	1/4"	7	1250	10	50	50



Drawing 8059