



Base Mounting



Wall mounting

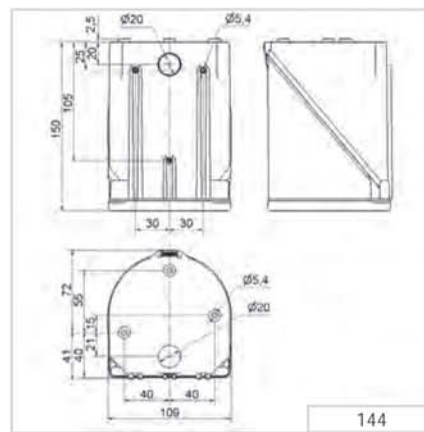
**i** TECHNICAL SPECIFICATIONS/ORDER SPECIFICATIONS:

<b>Dimensions (L x H x W):</b>	109 mm x 112,5 mm x 152 mm		
<b>Housing:</b>	PC/ABS-Blend		
<b>Connection:</b>	24 V: Screw terminal 0.5 - 1.5 mm <sup>2</sup> 115/230 V: CAGE CLAMP®		
<b>Cable entry:</b>	Membrane for cable diameter max. 13 mm		
<b>Fixing:</b>	Wall, base and ceiling mounting		
<b>Tone types and frequencies:</b>	Selectable via DIP switch, see table on page 239		
<b>Voltage:</b>	24 V AC/DC	115 V AC	230 V AC
<b>Current consumption:</b>	200 mA	55 mA	30 mA
<b>Order No.:</b>	<b>144 000 75</b>	<b>144 000 67</b>	<b>144 000 68</b>

**ACCESSORIES:**

Cable gland M20 x 1.5 mm (for cable strain relief)	975 444 01
Protection rating IP 65 is provided even without cable gland	

**TECHNICAL DIAGRAM:**



Signalisation index	
Multi-tone sounder	<div style="width: 100%; height: 10px; background: linear-gradient(to right, green 80%, white 80%);"></div> 8



24 V	115 V / 230 V	IP65	+50°C -30°C	(A) 110 dB	(C) 114 dB	32	24 V	PLC
------	---------------	------	----------------	---------------	---------------	----	------	-----



The 144 Multi-Tone Sounder offers a large choice of internationally recognised signal tones for the widest spectrum of applications. 3 tones can be triggered externally.


**TONE TYPES AND FREQUENCIES:**

Tone 1	Tone type	Frequency	Description	Use	Tone 2	Tone 3	Output (dBA)
1	continuous	200		BS 5839-1:2002	440 Hz cont.	554 Hz cont.	97
2	rising	800 & 970	7 Hz		14	800 Hz cont.	102
3	rising	800 & 970	1 Hz		14	800 Hz cont.	103
4	continuous	2850			14	9	104
5	rising	2400 - 2850	7 Hz		4	2400 Hz cont.	109
6	rising	2400 - 2850	1 Hz		4	2400 Hz cont.	110
7	rising	500 - 1200	3 s, then 0.5 s OFF (then repeat)		14	8	106
8	falling	1200 - 500	1 Hz	DIN 33404-3	14	7	104
9	alternating	2400 & 2850	2 Hz		4	2400 Hz cont.	111
10	pulse	970	0.5 Hz (1 s On/1 s Off)	BS 5839 Part 1 1988	14	800 Hz cont.	101
11	alternating	800 & 970	1 Hz	BS 5839 Part 1 1988	14	800 Hz cont.	105
12	pulse	2850	0.5 Hz		4	22	104
13	pulse	970		0,25 s On/1 s Off	14	800 Hz cont.	98
14	continuous	970		BS 5839-1:2002 PFEER - Toxic gas	10	8	102
15	alternating	554 & 440		France NFS	14	800 Hz cont.	101
16	pulse	660	150 ms On/150 ms Off	Swedish	16	14	96
17	pulse	660	1.8 s On/1.8 s Off	Swedish	17	14	98
18	pulse	660	6.5 s On/13 s Off	Swedish	18	14	98
19	continuous	660		Swedish	19	31	98
20	alternating	554 & 440	0.5 Hz		20	19	102
21	pulse	660	1 Hz	Swedish	21	4	97
22	pulse	2850	150 ms On/100 ms Off	GB	14	4	104
23	rising	800 - 970	50 Hz (low)	BS 5839 Part 1 1988	14	800 Hz cont.	102
24	rising	2400 - 2850	50 Hz (high)		4	2400 Hz cont.	109
25	pulse	970	3 x 500 ms ON/500 ms OFF / 1.5 s silence, then repeat (low)	ISO 8201 US Temporal	26	14	101
26	pulse	2850	3 x 500 ms ON/500 ms OFF / 1.5 s Pause, then repeat (low)	ISO 8201 US Temporal	25	4	104
27	continuous	4000			27	6	92
28	rising	2000 - 2850	7 Hz		2000 Hz cont.	4	111
29	alternating	988 & 645	2 Hz		988 Hz cont.	645 Hz cont.	102
30	alternating	510 & 610	2 Hz		510 Hz cont.	610 Hz cont.	102
31	alternating	800 & 970	2 Hz	5839-1:2002	800 cont.	14	105
32	alternating	800 & 1200	1 Hz		800 cont.	1200 Hz cont.	105

